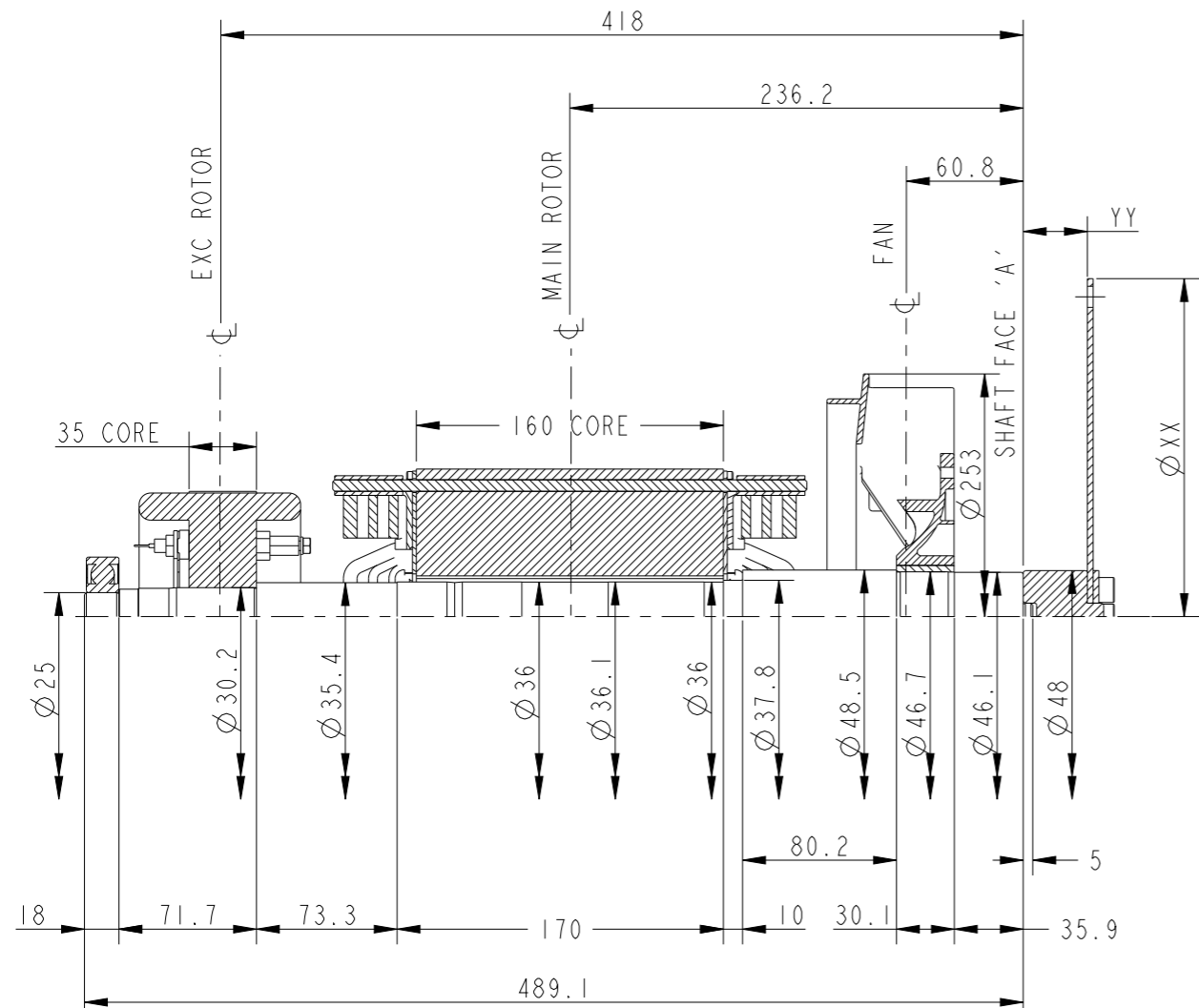


REL NO	REV	DETAIL	DWN	CKD	APVD	DATE
ECO-148572	D	PRODUCTION RELEASE	MMA	UKD	S. JOSHI	26AUG16



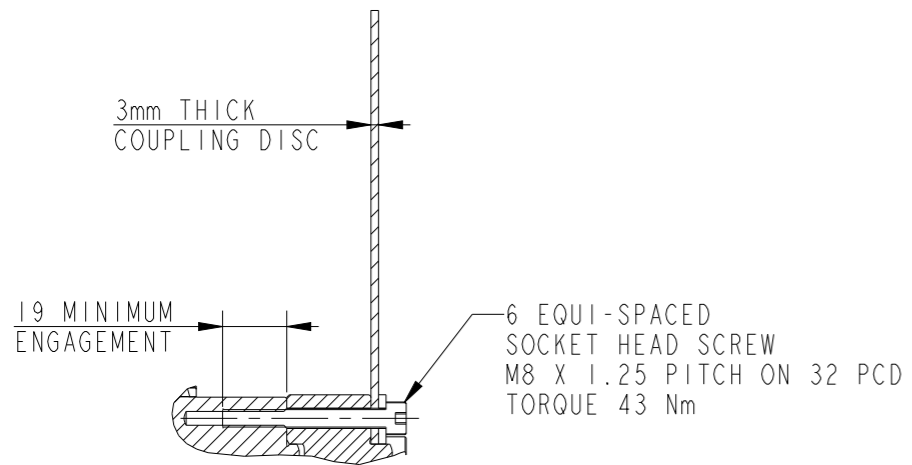
NOTES:

- SHAFT STIFFNESS:
THE STIFFNESS OF THE SHAFT BETWEEN THE MAIN ROTOR CORE ϕ AND THE SHAFT FACE 'A' IS 0.983×10^6 kgcm/radian (STIFFENING EFFECT OF MAIN ROTOR CORE IS NOT INCLUDED IN THIS FIGURE)
- SHAFT MATERIAL:
STEEL - C40E TO BSEN 10083-2 2006
MAXIMUM RECOMMENDED VIBRATORY STRESS LEVEL IN THE SHAFT IS 34.47×10^6 N/m² FOR SPEED RANGE OF 0.95 TO 1.1 X NOMINAL SPEED AND 68.94×10^6 N/m² FOR RUN THROUGH CONDITIONS, FOR INDUSTRIAL MACHINES.
- CUMMINS GENERATOR TECHNOLOGIES LTD SHOULD BE NOTIFIED OF ANY ROTORS NOT COMPLYING WITH THESE RULES.
- CUMMINS GENERATOR TECHNOLOGIES LTD BALANCE ROTORS TO COMPLY WITH INTERNATIONAL STD BS ISO 1940 PARTS 1 AND 2. BALANCE GRADE 2.5
- FOR UNBALANCED MAGNETIC PULL (U.M.P) REFER BACK TO THE FACTORY

TABULATION									
ADAPTOR SAE No.	COUPLING SAE No.	COUPLING DIMENSIONS		MASS OF DISCS (kg) (3mm THICK)	MASS OF SHAFT SPACER (kg)	MASS OF PRESSURE PLATE (kg)	TOTAL MASS OF COUPLING ASSEMBLY (kg)	COUPLING STIFFNESS (kgcm/rad)	COUPLING DISC WR ² (kgm ²)
		ϕ XX mm	YY mm						
4/5	6 1/2	215.8	9.88	0.840	0.111	0.030	0.981	7.95×10^6	0.0049
4/5	7 1/2	241.2	9.88	1.052	0.111	0.030	1.191	7.90×10^6	0.0076
3/4	10	314.2	33.47	1.795	0.374	0.030	2.198	7.84×10^6	0.0221
4	11 1/2	352.3	19.27	2.265	0.215	0.030	2.509	7.82×10^6	0.0351

CONVERSION FACTORS		
TO CONVERT	TO	DIVIDE BY
kg	lb	0.453592
kg m ²	lb ft ²	0.04214
kgcm/rad	lbin/rad	1.1521246
N/m ²	lbf/in ²	6894.76

COMPONENT	Wt Kg	WR ² Kg m ²
FAN	0.4929	0.0034
SHAFT	4.43	0.0009
MAIN ROTOR	20.01	0.0597
EXCITER ROTOR	4.1	0.0130
TOTAL	29.033	0.0770



UNLESS OTHERWISE SPECIFIED, ALL DIMENSIONS ARE IN MILLIMETERS		SIM TO -		DWN K. PAWAR		CUMMINS GENERATOR TECHNOLOGIES DRAWING, TORSIONAL SOLI-PI 4P	
DO NOT SCALE PRINT				CKD U. DAGWALE			
DIM X ± 1 X.X ± 0.1 X.XX ± 0.01		HOLE 0.00-4.99 +0.15/-0.08 5.00-9.99 +0.20/-0.10 10.00-17.49 +0.25/-0.13 17.50-24.99 +0.30/-0.13		APVD S. JOSHI		DATE 05 JUN 15	
ANG TOL: ± 0.5°		SCALE: 1:2		- CONFIDENTIAL - PROPERTY OF CUMMINS GENERATOR TECHNOLOGIES		SITE CODE PUN	
				FOR INTERPRETATION OF DIMENSIONING AND TOLERANCING, SEE ASME Y14.5M-1994		FIRST USED ON	
				SHEET 1		REV D	
				DWG SIZE A2		A052Z775	