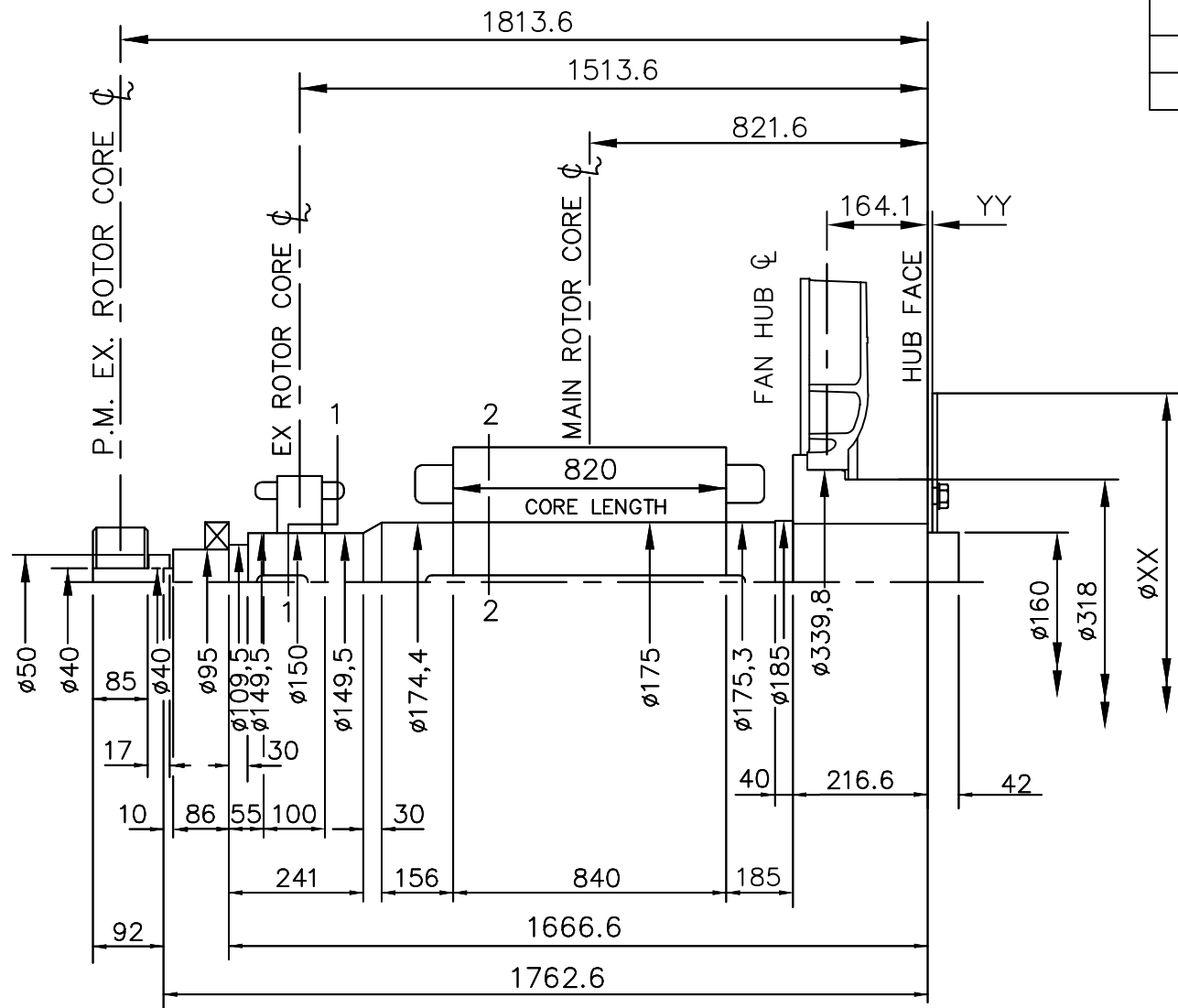


REL NO	LTR	NO	DETAILS	DWN	CKD	APVD	DATE
ECO-156837	A	1	PRODUCTION RELEASE:	IDP	APM	SPA	03NOV15



SHAFT STIFFNESS: -
 THE STIFFNESS OF THE SHAFT BETWEEN THE MAIN ROTOR CORE ϕ AND THE COUPLING HUB FACE IS 122.63×10^6 kgcm/radian (STIFFNESS EFFECT OF THE MAIN ROTOR CORE IS NOT INCLUDED IN THIS FIGURE).

SHAFT MATERIAL: -STEEL
 INDUSTRIAL SHAFTS, C40E OR C45E TO BSEN 10083-2 2006 OR GB 699 TYPE 45

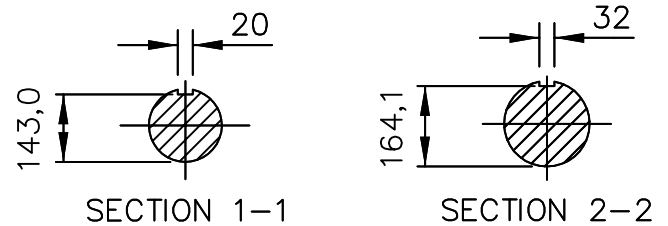
MAXIMUM RECOMMENDED VIBRATORY STRESS LEVEL IN THE SHAFT IS 34.47×10^6 N/m² FOR SPEED RANGE OF 0.95 TO 1.1 X NOMINAL SPEED AND 68.94×10^6 N/m² FOR RUN THROUGH CONDITIONS, FOR INDUSTRIAL MACHINES. FOR MARINE AUTHORITIES, THEIR APPROPRIATE RULES WILL APPLY.

CUMMINS GENERATOR TECHNOLOGIES LTD SHOULD BE NOTIFIED OF ANY ROTORS NOT COMPLYING WITH THESE RULES. CUMMINS GENERATOR TECHNOLOGIES LTD BALANCE ROTORS TO COMPLY WITH INTERNATIONAL STD BS ISO 1940 PARTS 1 AND 2. BALANCE GRADE 2.5

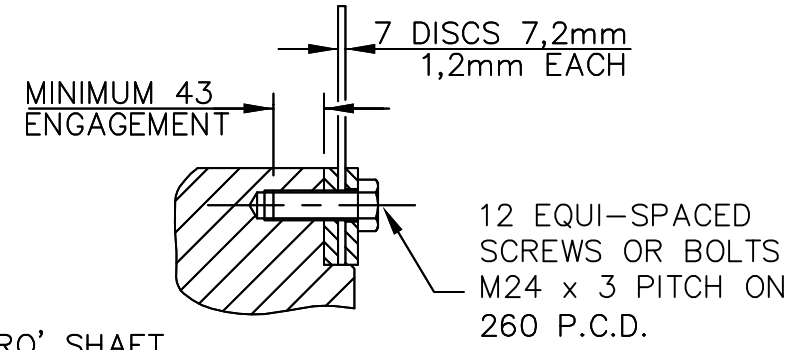
FOR UNBALANCED MAGNETIC PULL (U.M.P.) REFER TO THE FACTORY.

COMPONENT	Wt kg	WR ² kgm ²
EX.ROTOR	62,258	0,9988
MAIN ROTOR	1222,99	47,4835
FAN	37,27	4,049
SHAFT	308,85	1,1224
HUB	104,185	1,087
P.MAG.ROTOR	6,970	0,0190
STUB SHAFT	0,929	0,0003
-	-	-
TOTAL	1743,452	54,76

COUPLING SAE No	COUPLING DIMEN's		COUPLING ASSEMBLY WEIGHT kg	COUPLING STIFFNESS 7-PLATES kgcm/rad	COUPLING DISC WR ² kg m ²
	XX	YY			
18	572	16	27,85	1857×10^6	0,590
21	673	00	25,92	1713×10^6	1,135
24	733	00	30,08	1666×10^6	1,598



CONVERSION FACTORS		
TO CONVERT	TO	DIVIDE BY
kg	lb	0,453592
kg m ²	lb ft ²	0,04214
kgcm/rad	lbin/rad	1,1521246
N/m ²	lbf/in ²	6894,76



UNLESS OTHERWISE SPECIFIED, ALL DIMENSIONS ARE IN MILLIMETERS	SIMILAR TO ---	DRAWN IDP		CUMMINS GENERATOR TECHNOLOGIES		
	DO NOT SCALE PRINT	CHECKED APM		DRAWING, ENGINEERING		
SCALE: NTS		APPROVED SPA	SITE CODE	P7 H CORE SINGLE BEARING MOMENTS OF INERTIA AND SHAFT DETAILS		
THIS DOCUMENT (AND THE INFORMATION SHOWN THEREON) IS CONFIDENTIAL AND PROPRIETARY AND SHALL NOT BE DISCLOSED TO OTHERS IN HARD COPY OR ELECTRONIC FORM, REPRODUCED BY ANY MEANS, OR USED FOR ANY PURPOSE WITHOUT WRITTEN CONSENT OF CUMMINS INC.		DATE 03NOV15		STA	DWG SIZE A3	A054B942
		FIRST USED ON ---				