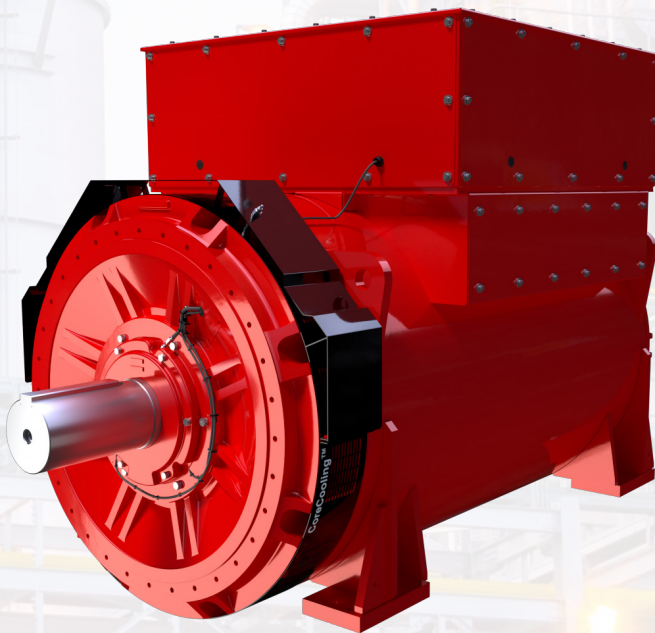


# STAMFORD® S9LV



LOW VOLTAGE ALTERNATOR  
2430–4400 kVA RANGE 50 Hz  
2132–4220 kW RANGE 60 Hz

**Powerful | Efficient | Dependable**



**Driving innovation built on over 100 years of STAMFORD® and AvK® expertise.**

The latest addition to the STAMFORD® S9 alternator range, now with optimised efficiency and power density

#### FEATURES

- Power output up to 4250 kVA @ 50 Hz\*
- Industry leading alternator efficiency
- Leading power density enabling the same power within reduced alternator footprint
- DM110 Digital AVR fitted as standard
- Versatility of applications usage including Prime, Standby Data Centre and CHP
- Improved serviceability

#### PEACE OF MIND

- World-class service network in over 120 countries with unmatched support
- 24-hour dedicated service support
- Global aftermarket network to support regular parts availability
- Class-leading 3-year warranty
- Authenticity guarantee-hologram verification

\* Continuous Class H 125/40°C 400 V

**STAMFORD | AvK™**

POWERING TOMORROW, TOGETHER

## S9LV ratings 380-415 V

4 pole alternator: 1500/1800 rpm

50 Hz

Class H 125/40						
Volts	380		400		415	
Model	kW	kVA	kW	kVA	kW	kVA
S9L1D-C4	2120	2650	2240	2800	2240	2800
S9L1D-D4	2316	2895	2440	3050	2440	3050
S9L1D-E4	2700	3375	2844	3555	2844	3555
S9L1D-F4	2972	3715	3128	3911	3128.8	3911
S9L1D-G4	3228	4035	3400	4250	3400	4250

Standby 150/40						
Volts	380		400		415	
Model	kW	kVA	kW	kVA	kW	kVA
S9L1D-C4	2268	2835	2388	2985	2388	2985
S9L1D-D4	2476	3095	2608	3260	2608	3260
S9L1D-E4	2888	3610	3040	3800	3040	3800
S9L1D-F4	3176	3970	3344	4180	3344	4180
S9L1D-G4	3340	4175	3520	4400	3520	4400

Class F Continuous 105/40						
Volts	380		400		415	
Model	kW	kVA	kW	kVA	kW	kVA
S9L1D-C4	1944	2430	2048	2560	2048	2560
S9L1D-D4	2128	2660	2240	2800	2240	2800
S9L1D-E4	2524	3155	2658	3322	2658	3322
S9L1D-F4	2776	3470	2924	3655	2924	3655
S9L1D-G4	2968	3710	3128	3910	3128	3910

\* Windings 312  
Ratings are subject to change

## S9LV ratings 380-415 V

4 pole alternator: 1500/1800 rpm

60 Hz

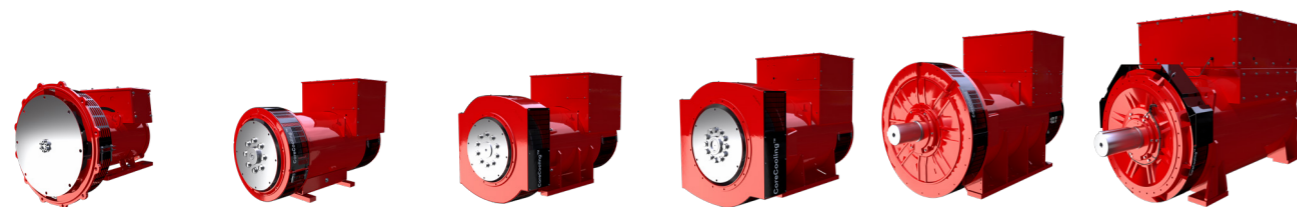
Class H 125/40						
Volts	416		440		480	
Model	kW	kVA	kW	kVA	kW	kVA
S9L1D-C4	2320	2900	2456	3070	2680	3350
S9L1D-D4	2536	3170	2684	3355	2928	3660
S9L1D-E4	2872	3590	3040	3800	3313.6	4142
S9L1D-F4	3096	3870	3272	4090	3571.2	4464
S9L1D-G4	3535	4419	3740	4675	4080	5100

Standby 150/40						
Volts	416		440		480	
Model	kW	kVA	kW	kVA	kW	kVA
S9L1D-C4	2484	3105	2628	3285	2868	3585
S9L1D-D4	2712	3390	2872	3590	3132	3915
S9L1D-E4	3072	3840	3248	4060	3544	4430
S9L1D-F4	3304	4130	3496	4370	3816	4770
S9L1D-G4	3660	4575	3870.4	4838	4220	5275

Class F Continuous 105/40						
Volts	416		440		480	
Model	kW	kVA	kW	kVA	kW	kVA
S9L1D-C4	2132	2665	2256	2820	2460	3075
S9L1D-D4	2328	2910	2464	3080	2688	3360
S9L1D-E4	2680	3350	2840	3550	3097	3871
S9L1D-F4	2892	3615	3056	3820	3338	4172
S9L1D-G4	3250	4063	3440	4300	3750	4688

\* Windings 312  
Ratings are subject to change

## STAMFORD® S-Range Products



S0/S1

S4

S5

S6

S7

S9

7.5 kVA 5,600 kVA

## Applications



Standby

Combined Heat and Power

Prime

Data Centre

# Specifications

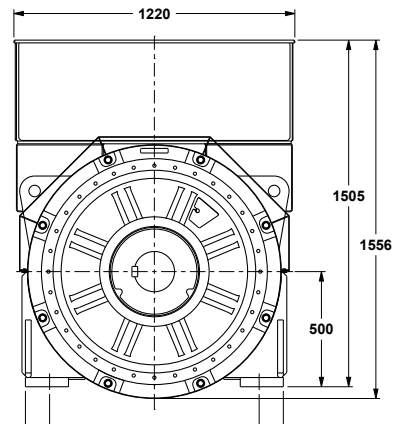
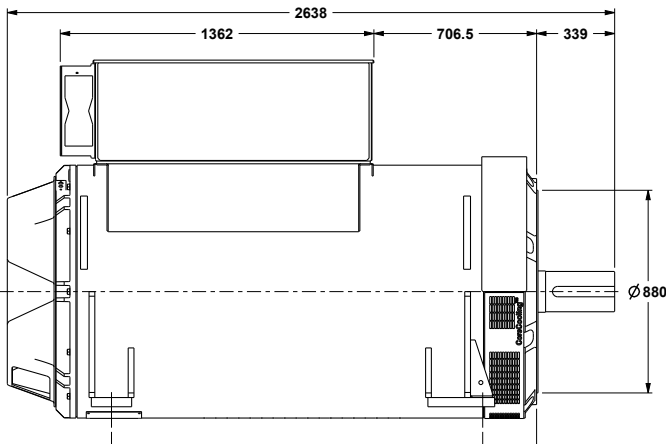
MODEL	S9LV -Dedicated
Maximum continuous ratings at 50 Hz (kVA) Class H 125/40°C*	2800-4250
Maximum continuous ratings at 60 Hz (kVA) Class H 125/40°C**	2680-4080
<b>Specifications</b>	
Voltage range	380-690 V
Poles	4
Technology	Wire Wound
AVR	Digital
Voltage sensing	3 Phase
Bearing arrangement	Double
SAE adaptors	SAE 00
Terminals	6
Material insulation class	H
Excitation system	DM110/PMG STD
Ingress protection	IP23
Connection with other machines	Paralleling capability
<b>Optional features</b>	
Bearing Arrangement	Single
SAE adaptors	SAE 0 / None
Voltage Sensing	3 Phase
Temperature Monitoring	Winding RTD's
Temperature Monitoring	Thermistors
Environmental Protection	Anti-Condensation Heater

# Accessories

Factory Build Options			
Anti-Condensation Heater			
Bearing RTD (Each Bearing)			
Air Inlet Filter at NDE & Terminal Box (needs P80 terminal box)			
Radio frequency interference (RFI) Suppressor Kit			
Excitation Loss Module			
Diode Failure Detector			
Available with	DM110	DECS150	UNITROL
Current Sensing Kit	✓	✓	✓
Controlled Short Circuit	✓	✓	✓
Frequency Detection Module	✓	✓	✓
Power Factor Controller - built into AVR	✓	✓	✓
Voltage Regulator Options		WITH PMG	
DM110	✓		
DEC150	✓		
UNITROL	✓		
No AVR	✓		

Prime movers	
Diesel engine	✓
Gas engine	✓

\* 50 Hz 400 V continuous 125/40°C  
 \*\* 60 Hz 480 V continuous 125/40°C



Full GA drawings available from <https://www.stamford-avk.com/downloads>



We are here to support your future decarbonisation goals, through our end-to-end expertise in versatile solutions. Backed by the reassurance of our world-renowned brands recognised for reliability and complete peace of mind, we are with you on your journey towards sustainability. [stamfordavk.li/future-ready](https://stamfordavk.li/future-ready)



[stamford-avk@cummins.com](mailto:stamford-avk@cummins.com)  
[www.stamford-avk.com](https://www.stamford-avk.com)



**STAMFORD | AvK**™  
 POWERING TOMORROW, TOGETHER

Copyright 2024, Cummins Generator Technologies Ltd. All rights reserved. Cummins and the Cummins logo are registered trade marks of Cummins Inc. STAMFORD and AvK are registered trademarks of Cummins Generator Technologies Ltd.

Part No. PB\_S9LV\_EN\_HP\_Rev. 01