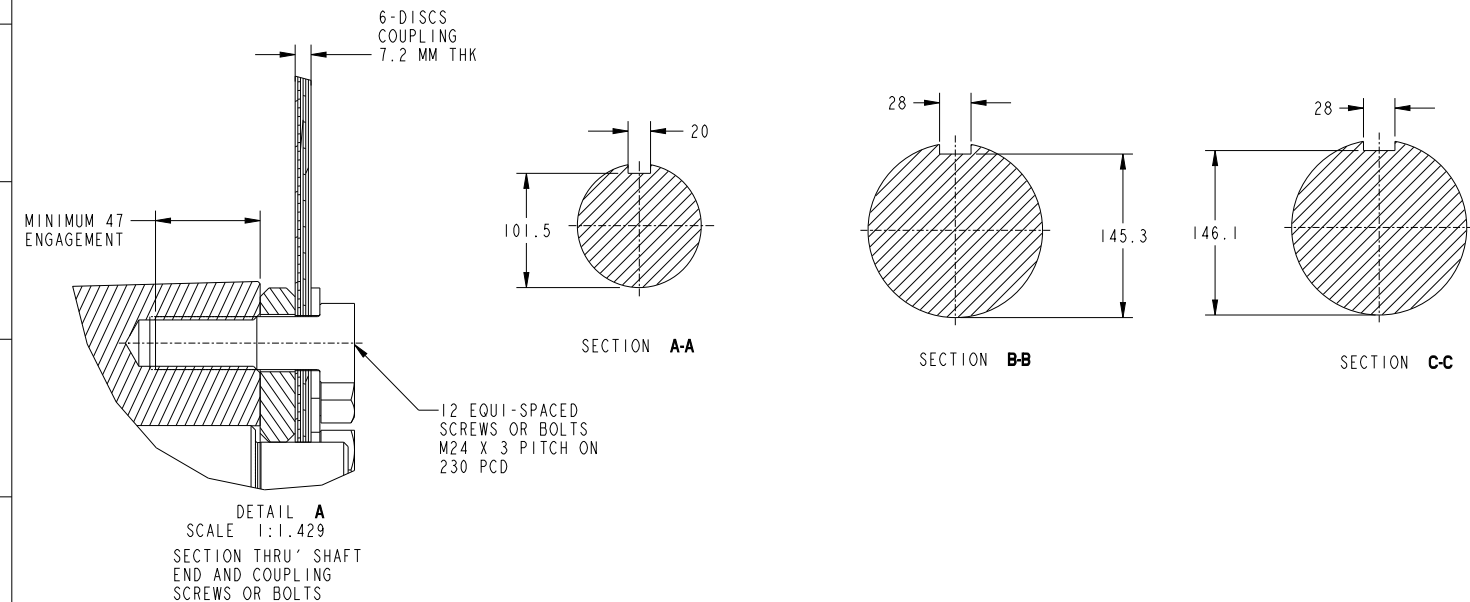


COUPLING SAE NO	COUPLING DIMENSIONS		COUPLING DISC WEIGHT KG	COUPLING SPACER WEIGHT KG	COUPLING ASSEMBLY WEIGHT KG	COUPLING STIFFNESS 6-PLATES kgcm/rad	COUPLING DISC WR ² kg m ²
	XX	YY					
14	467	25	1.39	7.76	21.75	13.956×10^8	0.265
18	571.412	15.88	2.20	4.78	23.38	12.113×10^8	0.535

COMPONENT	Wt Kg	WR ² (KG M ²)
EX. ROTOR	38.66	0.5785
MAIN ROTOR	565	17.56
FAN	19.03	0.8523
SHAFT	187.8	0.5291
HUB	37.45	0.4827
P.M. EXCITER ROTOR	4	0.011
P.M. STUB SHAFT	0.859	0.0003
TOTAL	852.799	20.014

CONVERSION FACTORS		
TO CONVERT	TO	DIVIDE BY
kg	lb	0.453592
kg m ²	lb ft ²	0.04214
kgcm/rad	lbin/rad	1.1521246
N/m ²	lbf/in ²	6894.76

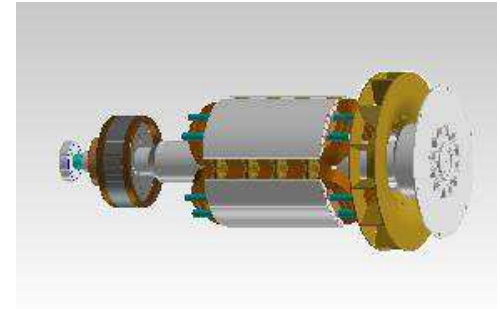


Cummins Generator Technologies		
DIMENSIONS ARE IN: MILLIMETERS	SIZE: A1 SCALE: 1:2.8	
DIMENSIONING AND TOLERANCING PER: ASME Y14.5-2009	THIRD ANGLE PROJECTION	CAD SYSTEM: PTC® Creo® Parametric



Part Number: A057G555

Change Notice	CN00077355	Alternates	
Manufacturer Part (MEP)	No	Usage	Production Only
Release Phase Code	Production (P)	Drawing Specification	Number: DS47118970
External Regulations	No External Regulation		Revision: A



3D image provided when available for visual reference only.

Drawing Revision Information

Description of Change(s) Note: Change information is provided for reference only and does not supersede the drawing's primary content.
MINOR AMENDMENTS
ADMINISTRATIVE CHANGE(S) TO PART ATTRIBUTES, BILL OF MATERIAL, OR ASSOCIATED SPECIFICATIONS.

Drawing Authorization

Drafter	Aishwarya Rajaram Shelar	Date	10JAN2023
Checker	Kuldeep Dilip Pawar	Date	10JAN2023
Approver	NO APPROVAL REQUIRED	Date	

Document Generated: 10JAN2023 10:13 GMT