



POWER UP WITH THE INDUSTRY EXPERTS



Service Training Courses

STAMFORD | AvK™

POWERING TOMORROW, TOGETHER

CONTENTS

About Us	4
Basics of AC Generators	6
Fundamentals of AC Generators	7
Bearings I	8
Bearings II	9
Sleeve Bearings	10
AVR Adjustments	11
STAMFORD Analogue AVR	12
AVR Paralleling	13
Basler I	14
Basler II	15
ABB Unitrol AVR	16
PFC3 Power Factor Controller	17
Excitation Boost System	18
Grid Code Compliance (Europe)	19

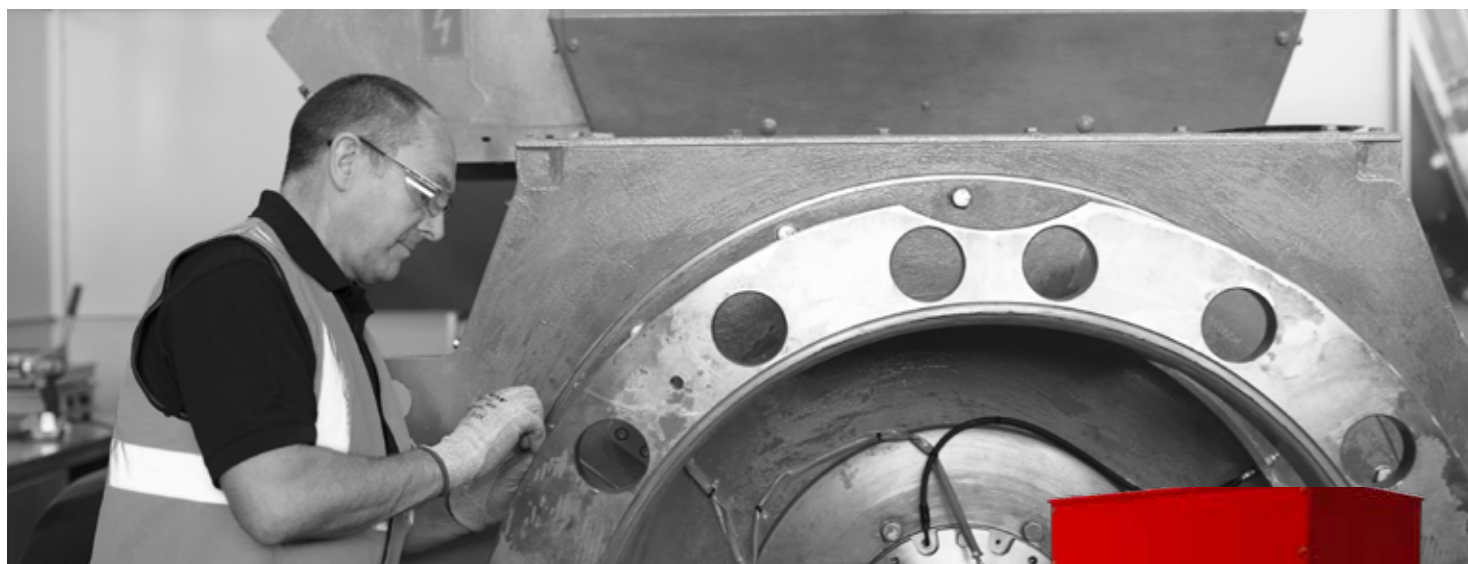
POWER UP WITH INDUSTRY EXPERTS, WORLD CLASS LEADING FACILITIES AND THE VITAL KNOWLEDGE TO EXCEL.



High quality, interactive and theory based training is essential for proven competent and qualified working support and effective cost control. To help meet these demands, the the training team have curated the perfect suite of courses to introduce, refresh, develop or expand your existing knowledge of both STAMFORD and AvK genuine products.

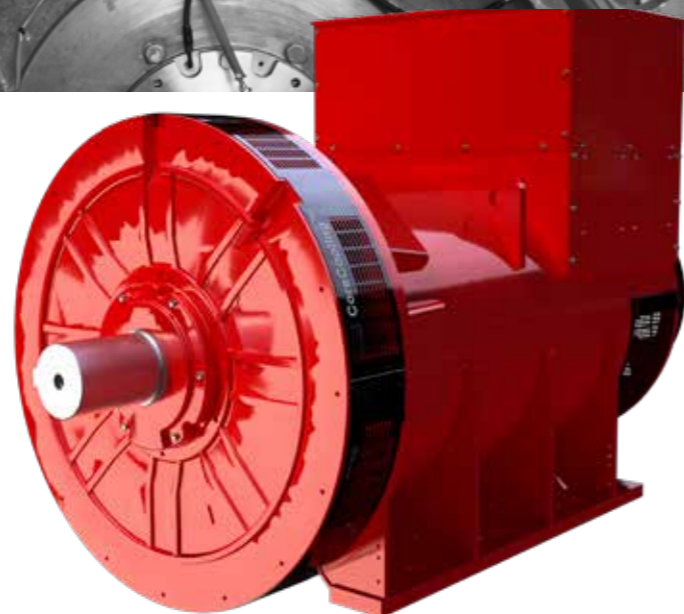
Whether a dealer technician, service manager or sales personnel, stay up-to-date with the very latest alternator and gen-set innovations, developments and implementation. From classroom based qualifications, to customer specific courses delivered at our dedicated Training Centres or at your location.

ALWAYS INNOVATING



Whether it's accessing application variables – for individual alternators or complete generating sets, simulating environments, stress analysis, upgrades, or accelerating integration, you can trust our leading industry experts to analyse, validate, train, educate, investigate, solve, facilitate and inspire.

Generating opportunities to transform performance, eradicating risk and enhance product life delivery. Spanning the basics to the inordinately complex and everything in between.



For over a century, our experience and knowledge gathered from a large and diverse number of applications of synchronous generator installations help our customers operate with greater efficiency, making it possible for them to compete more successfully throughout the world.

To best support our customers, **STAMFORD | AvK** strives to develop and maintain the highest level of service capability possible. Continuous education, available through cutting-edge instruction, helps to make this possible..

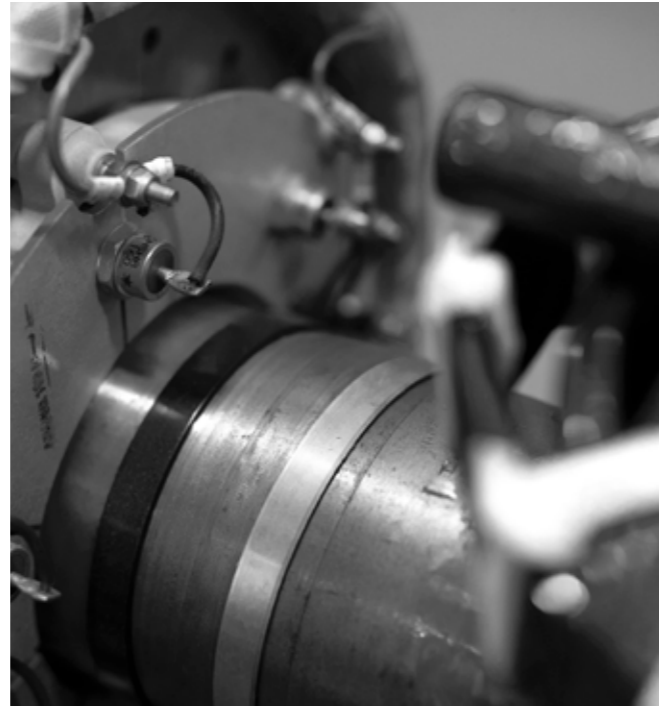


BASICS OF AC GENERATORS

COURSE DESCRIPTION

This course is intended for service technicians seeking certification for the STAMFORD I AvK brand family of AC Generators. Completion of this course satisfies one of the pre-requisites for attending Fundamentals of alternators classroom training.

Participants who successfully complete this training will have a basic understanding and knowledge of the construction and operation of alternators.

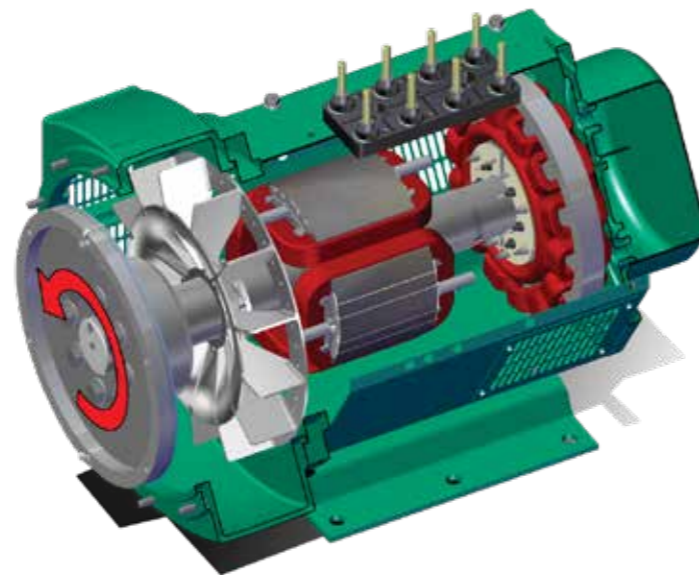


Timing & Delivery
4 hours
Online or Classroom

Pre-requisite Knowledge
None

Products Covered
Basic AC Generator Theory

- Topics**
- Background and Overview
 - Generator Construction
 - Component Features
 - Operation and Excitation
 - Generator Output



For registration information on this course, please contact our Service Training department at: stamford-avkservicetraining@cummins.com

FUNDAMENTALS OF AC GENERATORS

COURSE DESCRIPTION

The Fundamentals of AC Generators training course is a comprehensive introduction to the inner workings of alternators manufactured by STAMFORD I AvK. The course material expands on basic AC electricity and magnetism theory to provide a complete understanding of alternator operation. Topics include alternator design and build, theory of operation, excitation processes, troubleshooting, and components testing.



Timing & Delivery
3 Days
Classroom

Pre-requisite Knowledge
Basics of AC Generators

Products Covered
STAMFORD and AvK;
All Frames Basic Theory

- Topics**
- Generator Overview
 - Generator Build
 - Main Alternator – Rotor and Stator
 - Excitation Systems
 - AVR Systems
 - Wiring and Reconnections
 - Accessory Components
 - Operation
 - 5-Step Troubleshooting Approach
 - Troubleshooting Exercises
 - Bearings



For registration information on this course, please contact our Service Training department at: stamford-avkservicetraining@cummins.com

BEARINGS I

COURSE DESCRIPTION

STAMFORD product ranges from HC6 to P80 and AvK ranges from DSG 62-125 and DIG 110-156 are offered with differing bearing types. The Bearings I course covers antifriction bearing theory, regreasing procedures and bearing maintenance. It also covers a basic understanding of fault analysis and service procedures focusing on bearing removal and installation. Ball bearing and roller bearing types are covered, excluding special configurations for DIG 142 machines which are covered in Bearings II.



Timing & Delivery

3 days
Classroom



Pre-requisite Knowledge

Basics of AC Generators
Fundamentals of AC Generators



Products Covered

HC6 to P80, S6, S7, S9, DSG62-125 and DIG 110-156



Topics

- Identification and Operation
- Regreaseable Bearing Maintenance
- Bearing Removal
- Bearing Failures
- Troubleshooting
- Bearing Installation



For registration information on this course, please contact our Service Training department at: stamford-avkservicetraining@cummins.com

BEARINGS II

COURSE DESCRIPTION

AvK model DIG 142 machines are manufactured with a clamped ball and roller bearing design. The Bearings II course covers the justification for a clamped bearing arrangement, maintenance procedures focusing on regreasing procedures, and service procedures focusing on bearing removal and installation. The unique bearing arrangement and specialised tools used for installation make this an advanced course for experienced technicians.



Timing & Delivery

4 Days
Classroom



Pre-requisite Knowledge

Basics of AC Generators
Fundamentals of Alternators
Bearings I



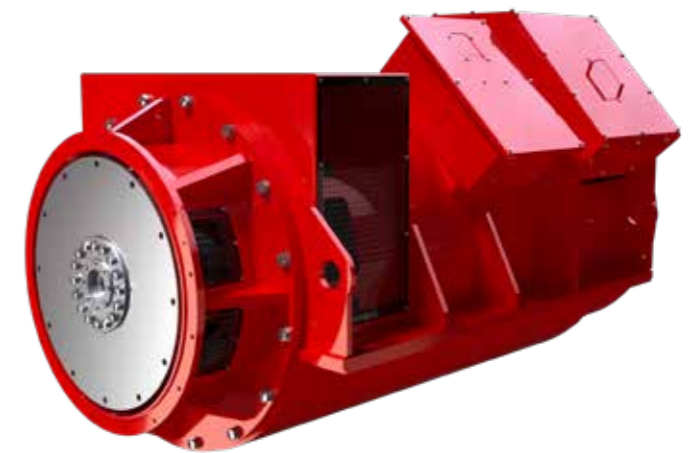
Products Covered

AvK DIG 142



Topics

- Identification and Operation
- Regreaseable Bearing Maintenance
- Bearing Removal
- Bearing Installation
- Bearing Failures and Troubleshooting



For registration information on this course, please contact our Service Training department at: stamford-avkservicetraining@cummins.com

SLEEVE BEARINGS

COURSE DESCRIPTION

This course provides theory of operation of sleeve bearings along with maintenance, troubleshooting, servicing procedures and techniques to provide the participant adequate knowledge to service sleeve bearings used on machines manufactured by STAMFORD I AvK. Course instruction includes inspection, cleaning and sealing techniques along with complete disassembly and assembly of a sleeve bearing.



Timing & Delivery
3 days
Classroom

Pre-requisite Knowledge
Basics of AC Generators
Fundamentals of AC Generators

Products Covered
DSG and DIG Generators

- Topics**
- Theory of Operation
 - Troubleshooting
 - Lubrication Systems
 - Assembly
 - Disassembly
 - Maintenance
 - Construction



For registration information on this course, please contact our Service Training department at: stamford-avkservicetraining@cummins.com

AVR ADJUSTMENTS

COURSE DESCRIPTION

This course is intended to be a pre-requisite for service technicians seeking certification on any STAMFORD, Basler, or ABB Unitrol Automatic Voltage Regulator courses. AVR Adjustments course will cover the theory of analog AVR's, their adjustments and trim settings, and effects of adjustments. All AVR certificated courses will build upon this course.

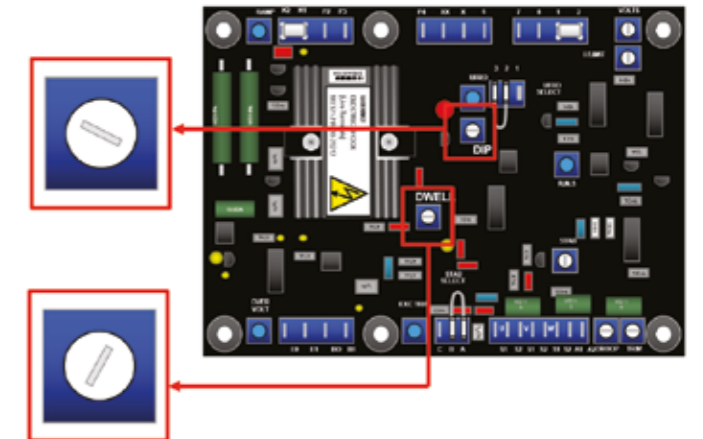


Timing & Delivery
2-4 hours
Online or Classroom

Pre-requisite Knowledge
Basics of AC Generators
Fundamentals of AC Generators

Products Covered
All principle voltage regulator settings.

- Topics**
- Theory of Operation
 - Adjustments
 - Overview of Types and Models
 - Installation and Set-up
 - Troubleshooting
 - Troubleshooting Exercises

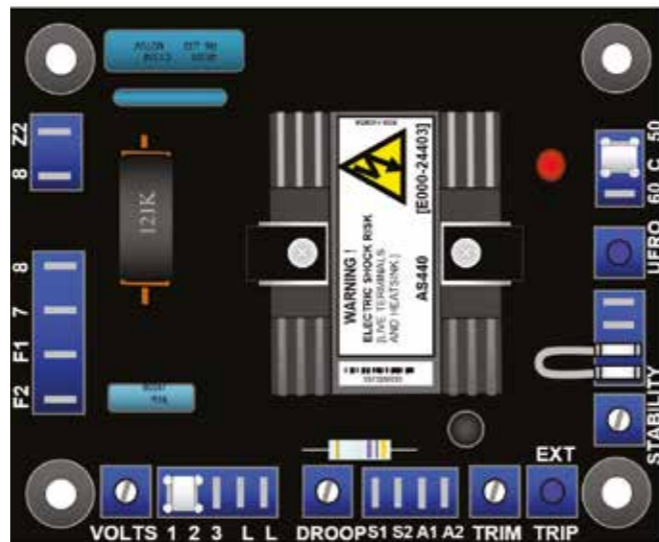


For registration information on this course, please contact our Service Training department at: stamford-avkservicetraining@cummins.com

STAMFORD ANALOGUE AVR

COURSE DESCRIPTION

This course provides technical and practical understanding of the STAMFORD family of analog AVR models. The course material identifies the various connecting terminals and adjustment potentiometers, then provides hands-on experience with connecting and tuning the AVR.



Timing & Delivery

2 days
Classroom



Pre-requisite Knowledge

Basics of AC Generators
Fundamentals of AC Generators
AVR Adjustments



Products Covered

MX321™, AS440, AS480, SX421,
MX341, MA330, MVR, MX322™, AS540



Topics

- Theory of Operation
- Adjustments
- Overview of Types and Models
- Installation and Set-up
- Troubleshooting
- Troubleshooting Exercises

For registration information on this course, please contact our Service Training department at:
stamford-avkservicetraining@cummins.com

AVR PARALLELING

COURSE DESCRIPTION

This course trains paralleling theory at the most fundamental level. The course material expands on a prior knowledge of AC electrical and alternator excitation theory. Course topics include synchronization, the droop circuit, power factor, power sharing, and reactive load sharing. Demonstrations of synchronisation, setting of a droop circuit, and live paralleling using STAMFORD AVR's are included.



Timing & Delivery

2 days
Classroom course at limited global venues
Course to be placed online in the future



Pre-requisite Knowledge

Basics of AC Generators
Fundamentals of AC Generators
AVR Adjustments



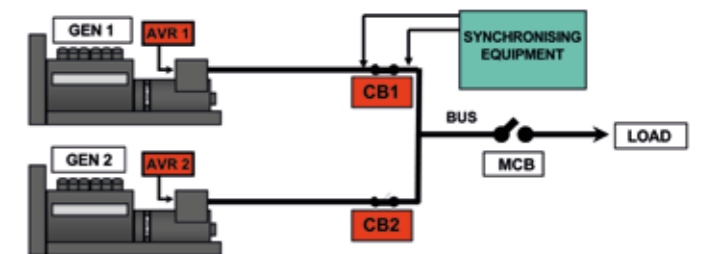
Products Covered

Paralleling Theory



Topics

- Parallel Operation
- Synchronization of Alternators
- Load Sharing
- Droop
- Reverse Power
- Parallel Operation with Utility
- Troubleshooting



For registration information on this course, please contact our Service Training department at:
stamford-avkservicetraining@cummins.com

BASLER I AVR

COURSE DESCRIPTION

This course provides a fundamental understanding of the Basler DECS 100 and 200 digital AVR models as well as covering the STAMFORD DM110 digital AVR. The course material provides exposure to the digital interface software for AVR Set-up and monitoring in addition to hands-on practice with connecting and troubleshooting these digital AVR models. (Note: Please view the Basler I content for newer Basler AVR models).



Timing & Delivery

3 days
Classroom



Pre-requisite Knowledge

Basics of AC Generators
Fundamentals of AC Generators
AVR Adjustments



Products Covered

DECS 100, 200 and DM110



Topics

- Theory of Operation
- Adjustments
- Overview of Types and Models
- Installation and Set-up
- Troubleshooting
- Troubleshooting Exercises

For registration information on this course, please contact our Service Training department at: stamford-avkservicetraining@cummins.com

BASLER II AVR

COURSE DESCRIPTION

This course provides a fundamental understanding of the New Basler DECS 150 and 250 digital AVR models. The course material provides exposure to the new digital interface software for AVR Set-up and monitoring in addition to hands-on practice with connecting and troubleshooting these digital AVR models. (Note:- Please view the Basler I content for the earlier Basler AVR models).



Timing & Delivery

3 days
Classroom



Pre-requisite Knowledge

Basics of AC Generators
Fundamentals of AC Generators
AVR Adjustments



Products Covered

DECS 150, 250



Topics

- Theory of Operation
- Adjustments
- Overview of Types and Models
- Installation and Set-up
- Troubleshooting
- Troubleshooting Exercises

For registration information on this course, please contact our Service Training department at: stamford-avkservicetraining@cummins.com

ABB UNITROL AVR

COURSE DESCRIPTION

This course provides technical understanding of the ABB Unitrol 1010 and 1020 digital AVR models. The course material provides exposure to the digital interface software for AVR Set-up and monitoring in addition to hands-on practice with connecting and troubleshooting these digital AVR models.



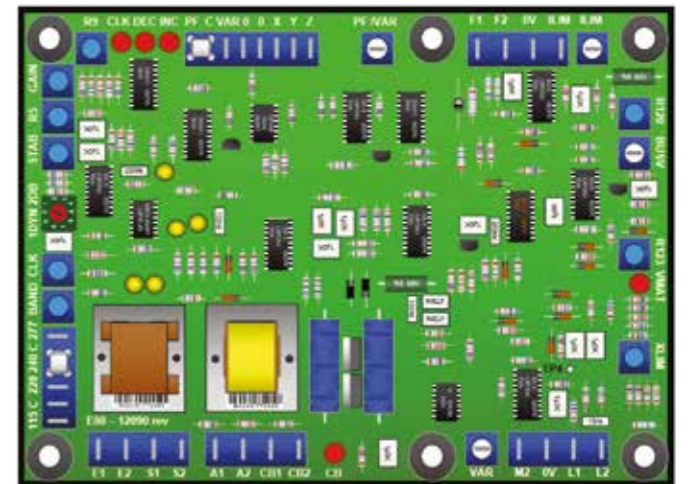
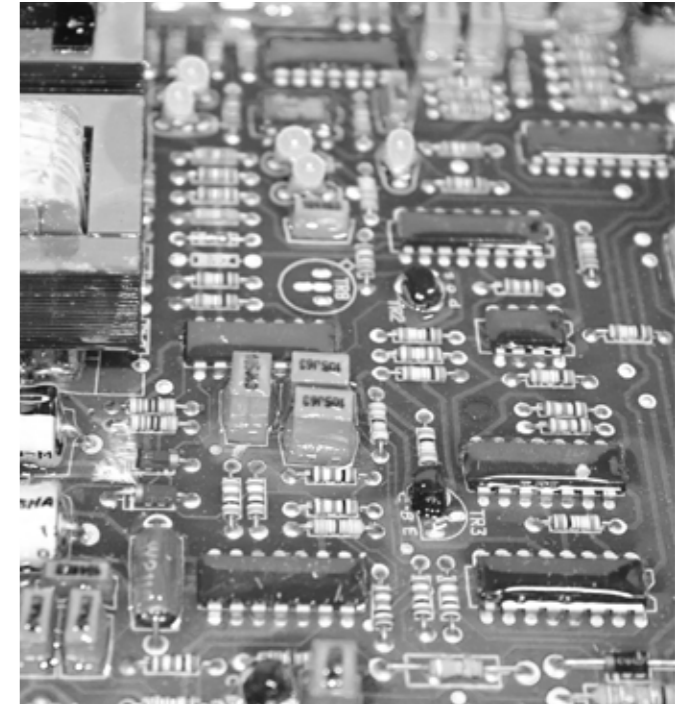
- Timing & Delivery**
3 days
Classroom
- Pre-requisite Knowledge**
Basics of AC Generators
Fundamentals of AC Generators
AVR Adjustments
- Products Covered**
ABB Unitrol 1010 and 1020
- Topics**
 - Theory of Operation
 - Adjustments
 - Overview of Types and Models
 - Installation and Set-up
 - Troubleshooting
 - Troubleshooting Exercises

For registration information on this course, please contact our Service Training department at: stamford-avkservicetraining@cummins.com

PFC3 POWER FACTOR CONTROLLER

COURSE DESCRIPTION

This course covers the purpose of using a power factor controller, followed by the layout, function, and interconnection of the STAMFORD PFC3 with other support equipment. Topics include operating theory, PFC3 connections, interaction with the AVR, remote control interface, voltage matching, and excitation loss module.



- Timing & Delivery**
2-4 hours
Online or Classroom
- Pre-requisite Knowledge**
Basics of AC Generators
Fundamentals of AC Generators
AVR Adjustments
Paralleling
- Products Covered**
DECS 100, 200 and DM110
- Topics**
 - Background and Configurations
 - Protection Systems
 - Basic Systems
 - PFC3 Features





For registration information on this course, please contact our Service Training department at: stamford-avkservicetraining@cummins.com

EXCITATION BOOST SYSTEM

COURSE DESCRIPTION

This course is a familiarisation training course meant to give the participant a clear understanding of how the Excitation Boost System works and how to troubleshoot it. This course is designed for service technicians seeking certification on the P0/P1 range of STAMFORD AC Generators.



- 
Timing & Delivery
 1 hour
 Online or Classroom
- 
Pre-requisite Knowledge
 Basics of AC Generators
 Fundamentals of AC Generators
- 
Products Covered
STAMFORD P0/P1
- 
Topics
 - Background and Theory
 - Troubleshooting





For registration information on this course, please contact our Service Training department at: stamford-avkservicetraining@cummins.com

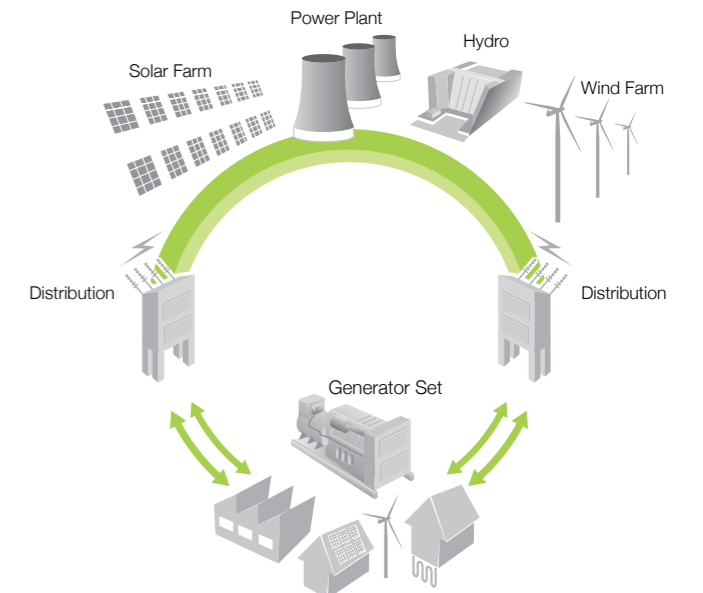
GRID CODE COMPLIANCE (EUROPE)

COURSE DESCRIPTION

This course will offer an awareness of Grid Code Compliance and give participants a greater knowledge of how alternators produced specifically for grid applications differ from the standard equipment.



- 
Timing & Delivery
 1-2 hours
 Online or Classroom
- 
Pre-requisite Knowledge
 Basics of AC Generators
 Fundamentals of AC Generators
- 
Products Covered
STAMFORD and AvK
 All Frames
- 
Topics
 - Introduction
 - Grid Code
 - Product Changes



For registration information on this course, please contact our Service Training department at: stamford-avkservicetraining@cummins.com

stamford-avk@cummins.com

www.stamford-avk.com



Copyright 2022, Cummins Generator Technologies Ltd. All rights reserved.
Cummins and the Cummins logo are registered trade marks of Cummins Inc.
STAMFORD and AvK are registered trademarks of Cummins Generator Technologies Ltd.

Part No. PG_STC_S_EN_AF Rev. 4

STAMFORD | AvK TM

POWERING TOMORROW, TOGETHER