

STAMFORD® S7K



LOW VOLTAGE ALTERNATOR

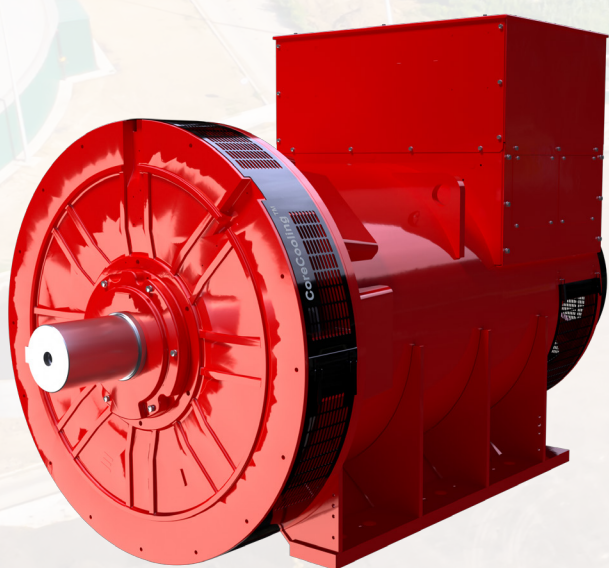
2700-3000kVA 50Hz

2900-3600kVA 60Hz

2160-2400kW 50Hz

2330-2880kW 60Hz

Powerful | Versatile | Dependable



Driving innovation built on over 100 years of STAMFORD® and AvK® expertise.

The latest addition to the STAMFORD® S7 alternator range, the S7K core takes the world renowned S7 and delivers increased power density and performance. The S7 now offers 300kVA extra within the S7 range.

FEATURES

- High efficiency electromagnetic design in partnership with STAMFORD patented CoreCooling™ technologies provides year-on-year fuel savings for our customers
- Industry-leading motorstarting capability
- 15% increase in power density
- 13% reduction in weight. Lightest alternator currently available at this rating
- MX322™ AVR as standard with options to fit STAMFORD S7 Digital AVR's
- Versatility of applications usage including Prime Power, Standby, CHP, Grid and Island Mode
- Available with all the options and features currently available on the S7 product range

PEACE OF MIND

- World-class service network in over 120 countries with unmatched support
- 24 hours dedicated service support
- Global aftermarket network to support regular parts availability
- Class-leading 3 years warranty
- Authenticity guarantee - hologram verification

STAMFORD | AvK™

POWERING TOMORROW, TOGETHER

Specifications

MODEL	S7K
Ratings at 50 Hz (kVA) Class H	Up to 2800
Ratings at 60 Hz (kVA) Class H	Up to 3600
Specifications	
Voltage range	380-480 V
Poles	4
Technology	Wire Wound
AVR	MX322™
Voltage sensing	3 Phase
Bearing design	Anti-friction
Bearing arrangement	Single
Material insulation	Class H
Excitation system	PMG
Ingress protection	IP23
Connection with other machines	Paralleling capability
Cooling method	Air Cooled IC01
Optional features	
Bearing design	Double
SAE adaptors	SAE 0, 00, None
AVR's	DM110, DECS100, DECS150

*Adaptors to be provided on anti-friction bearing machines only.
The standard S7 air-cooled marine machine product is also available with sleeve bearings (2 bearings only).

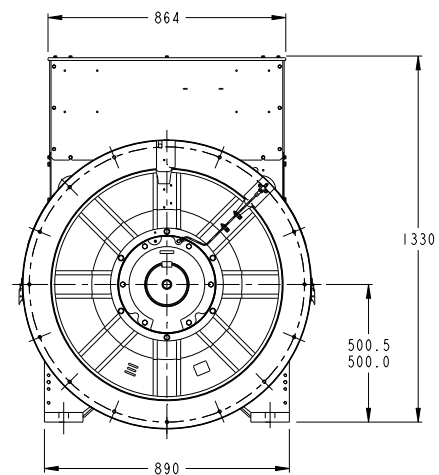
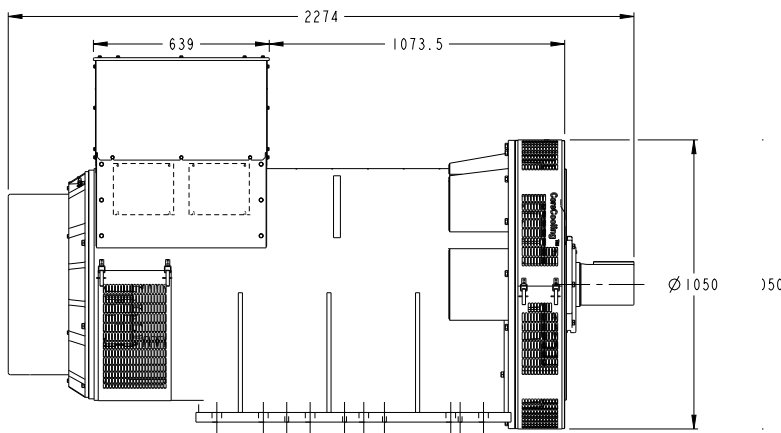
Accessories

Factory Build Options
Anti-Condensation Heater
Quadrature Droop Kit
Bearing RTD (Each Bearing)
Remote Voltage Trimmer
Radio Frequency Interference (RFI) Suppressor Kit
Excitation Loss Module
Diode Failure Detector
Winding RTDs and Thermistors (in another level)
Protection CTs

STAMFORD® alternators meet the classification requirements of all major marine societies. Other certifications can be considered on request.

Prime movers	
Diesel engine	✓
Gas engine	✓

Available with	MX322™
Current sensing kit	✓
Controlled short circuit	✓
Manual voltage regulator	✓
Frequency detection module	✓
Power factor controller – PFC3	✓
Remote control interface	✓
Excitation circuit breaker	✓



Full GA drawings available from <https://www.stamford-avk.com/downloads>



We are here to support your future decarbonisation goals, through our end-to-end expertise in versatile solutions. Backed by the reassurance of our world-renowned brands recognised for reliability and complete peace of mind, we are with you on your journey towards sustainability.

<https://stamfordavk.li/future-ready>



STAMFORD | AvK™
POWERING TOMORROW, TOGETHER



Copyright 2023, Cummins Generator Technologies Ltd. All rights reserved.
Cummins and the Cummins logo are registered trade marks of Cummins Inc.
STAMFORD and AvK are registered trademarks of Cummins Generator Technologies Ltd.

Part No. PB_S7K/EN/AF_Rev.3