

Document Generated: 05JAN2021 09:28 GMT

Cummins Data Classification: **Cummins Confidential**

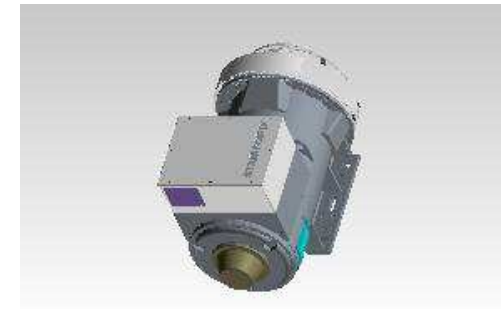
This document (and the information shown thereon) is **Confidential and Proprietary** and shall not be disclosed to others in hard copy or electronic form, reproduced by any means, or used for any purpose without written consent of Cummins Inc.

Part Number: **A062W634** Part Revision: **A**
 Part Name: **ARRANGEMENT,GENERATOR GENERAL**
 Drawing Category: **Outline (Tabulation)** State: **Released** Sheet 1 of 2



Part Number: A062W634

Change Notice	CN00027774	Alternates	
Manufacturer Part (MEP)	No	Usage	Production Only
Release Phase Code	Production (P)	Drawing Specification	DSA060B839
External Regulations	No External Regulation		



3D image provided when available for visual reference only.

Associated Specifications

Number	Name	Type	Category	Sub-Category
ESA030B356	SPECIFICATION,MATERIAL	Engineering Specification	Material Specification	Prohibited and Restricted Prohibited and Restricted

Drawing Revision Information

Description of Change(s)
UPDATE INITIATED BY CHANGE TO OTHER PART(S) ON THIS DRAWING PER CN00027774

Drawing Authorization

Drafter	Komal Shalikram Kawade	Date	05MAY2019
Checker	NO REVIEW REQUIRED	Date	
Approver	NO APPROVAL REQUIRED	Date	

Document Generated: 05JAN2021 09:28 GMT