

Cummins Data Classification: **Cummins Confidential**

This document (and the information shown thereon) is **Confidential and Proprietary** and shall not be disclosed to others in hard copy or electronic form, reproduced by any means, or used for any purpose without written consent of Cummins Inc.

Part Number: **A057G559** Part Revision: **C**

Part Name: **ARRANGEMENT, GENERATOR ROTOR TORSIONAL**

Drawing Category: **Outline State: Released** Sheet 1 of 2

**Cummins Generator Technologies**

DIMENSIONS ARE IN: MILLIMETERS  
 [ ] ARE IN: -

SIZE: **A1** SCALE: 1:2.8

DRAWING SPECIFICATION DESCRIPTION: S6LID-F, 4P, 1B

DIMENSIONING AND TOLERANCING PER: ASME Y14.5-2009

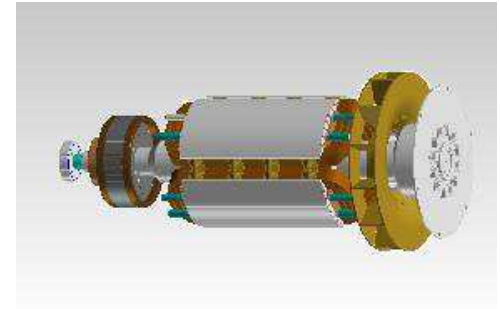
THIRD ANGLE PROJECTION

CAD SYSTEM: PTC® Creo® Parametric



**Part Number: A057G559**

Change Notice	CN00077355	Alternates	
Manufacturer Part (MEP)	No	Usage	Production Only
Release Phase Code	Production (P)	Drawing Specification	Number: DS47118971
External Regulations	No External Regulation		Revision: A



3D image provided when available for visual reference only.

**Drawing Revision Information**

**Description of Change(s)**

Note: Change information is provided for reference only and does not supersede the drawing's primary content.

**MINOR AMENDMENTS**

ADMINISTRATIVE CHANGE(S) TO PART ATTRIBUTES, BILL OF MATERIAL, OR ASSOCIATED SPECIFICATIONS.

**Drawing Authorization**

Drafter	Aishwarya Rajaram Shelar	Date	10JAN2023
Checker	Kuldeep Dilip Pawar	Date	10JAN2023
Approver	NO APPROVAL REQUIRED	Date	

Document Generated: 10JAN2023 10:13 GMT