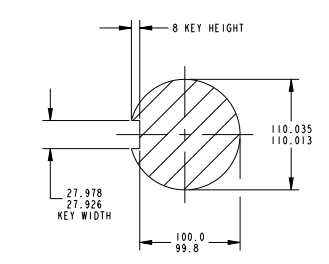
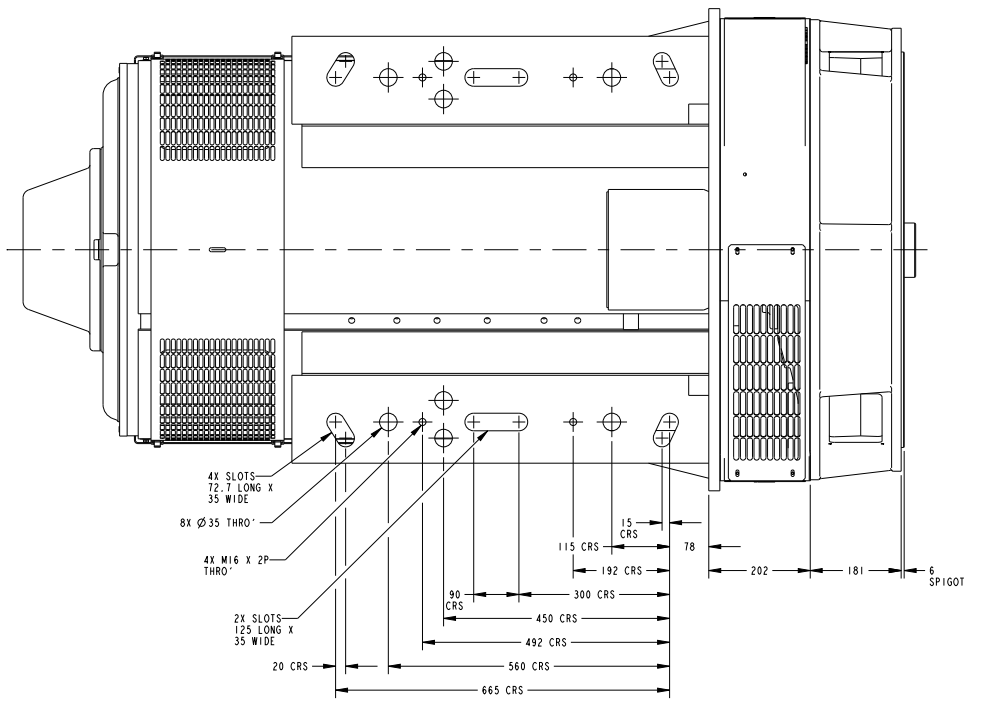
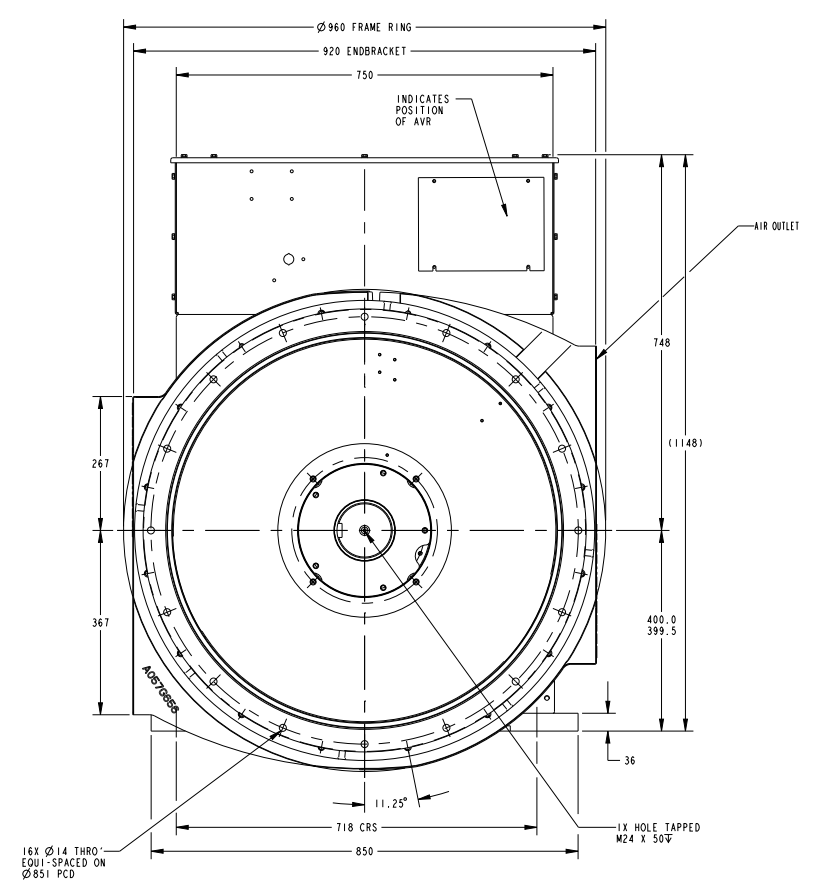
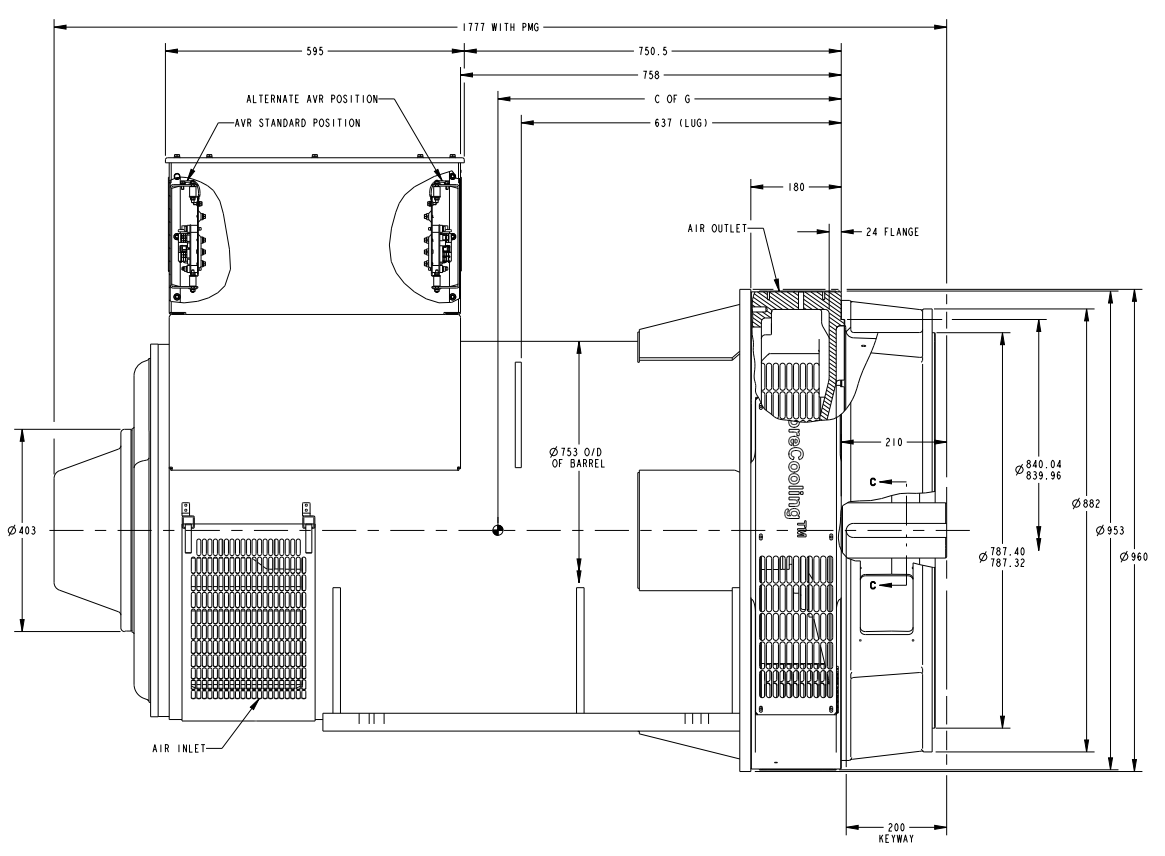
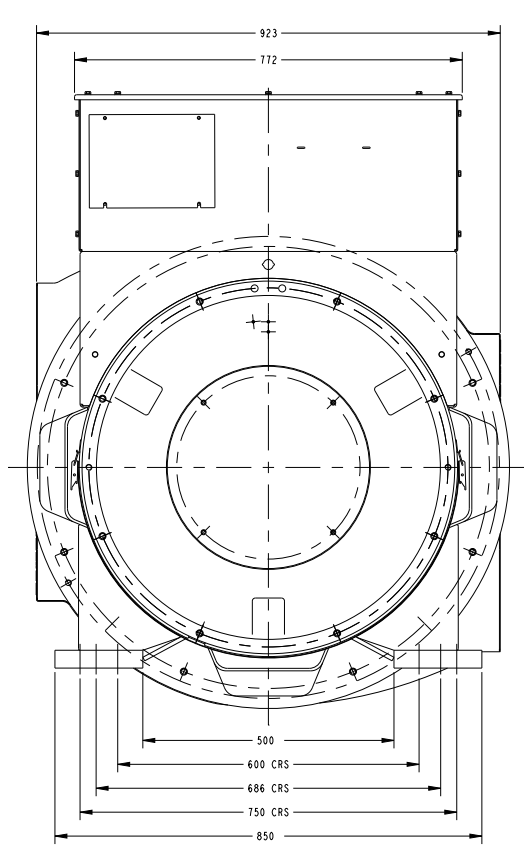


CORE	WEIGHT (KG)	C OF G
G	2619	688
H	2836	705

REL NO	REV NO	REVISION	DRW. CD	APD	DATE
ECO-174332	B	1	XP	RH	01 JAN 18
	2	2	XP	RH	01 JAN 18

NOTE:
1. CUSTOMER MUST ENSURE THAT AIR INLET AND OUTLET POSITIONS ARE NOT OBSTRUCTED



UNLESS OTHERWISE SPECIFIED, ALL DIMENSIONS ARE IN MILLIMETERS	SCALE 0.200	DRW N. KAKATI CND S. KARMARKAR APD I. SAUNDATTI DATE 26 OCT 17	STA AO	CUMMINS GENERATOR TECHNOLOGIES DRAWING GENERAL ASSEMBLY S61 D-G/H, 2B, SAE 00, STD BOX, 400CH	CAD SHEET 1 OF 1
---	-------------	---	-----------	---	---------------------