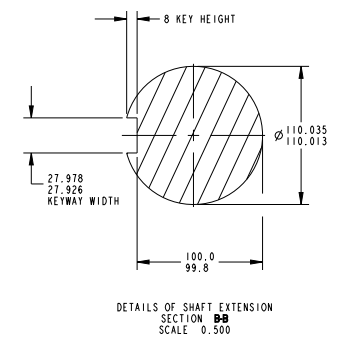
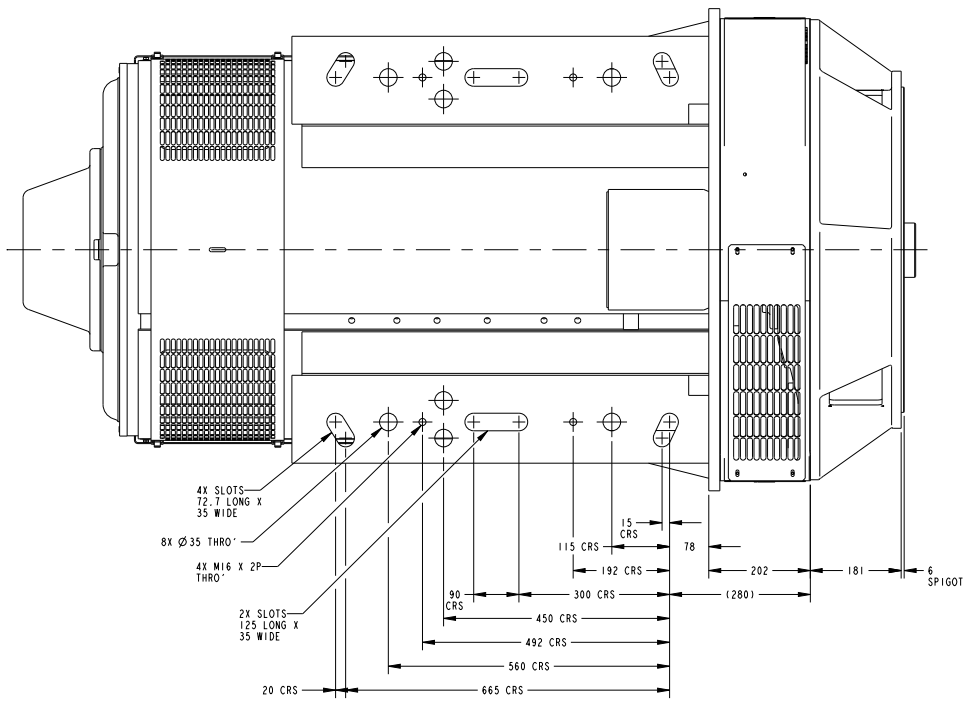
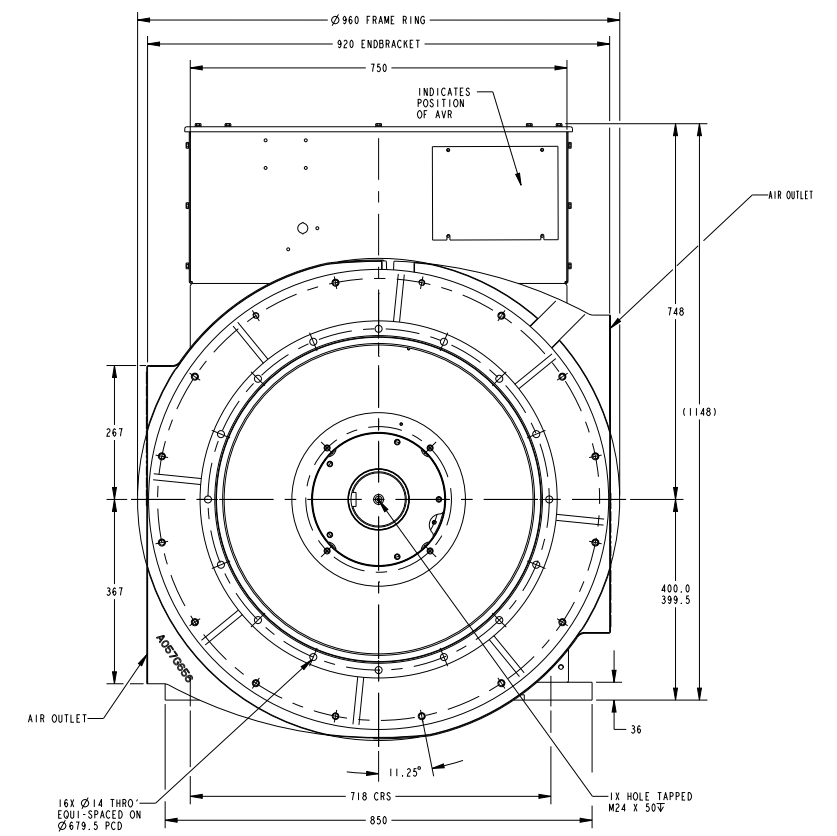
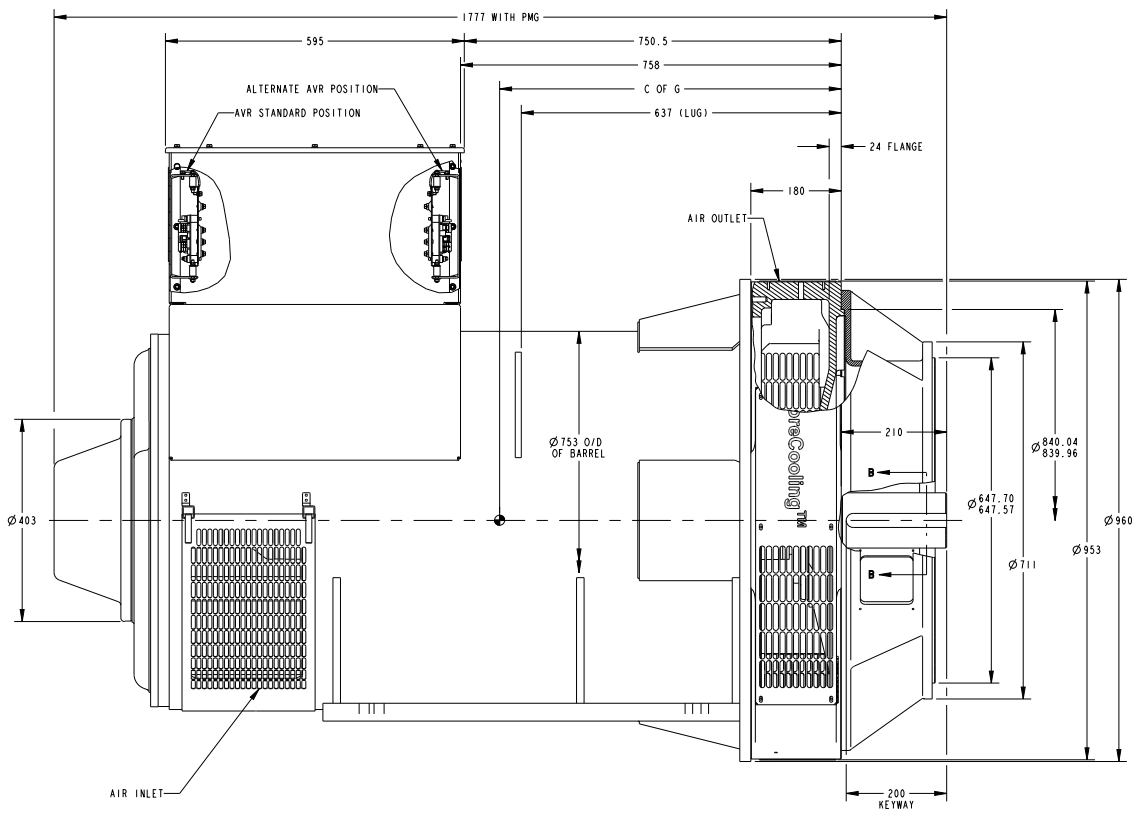
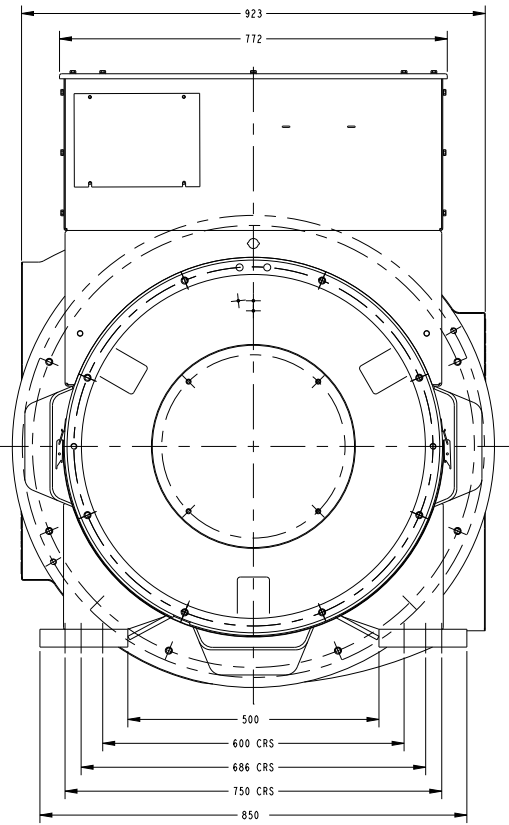


CORE	WEIGHT (KG)	C OF G
G	2619	684
H	2836	701

REV. NO.	REV.	REVISION	CHK.	CD.	APPD.	DATE
ECO-174332	B	1 ZONE D4, FOR CORE G, C OF G 684 WAS 702 & FOR CORE H, C OF G 701 WAS 710	KP	RH	I.SAUNDATTI	01 JAN 18
		2 UPDATED VIEWS PICTORIALLY	KP	RH	I.SAUNDATTI	01 JAN 18
		3 ZONE C1, DIM 36 WAS (36)	KP	RH	I.SAUNDATTI	01 JAN 18
		4 ZONE A2, ADDED DIM (280)	KP	RH	I.SAUNDATTI	01 JAN 18

NOTE:
1. CUSTOMER MUST ENSURE THAT AIR INLET AND OUTLET POSITIONS ARE NOT OBSTRUCTED



UNLESS OTHERWISE SPECIFIED, ALL DIMENSIONS ARE IN MILLIMETERS	SCALE 0.200	REV. NO. N. KAKATI CHKD S. KARMARKAR APPD I. SAUNDATTI DATE 25OCT17	CUMMINS GENERATOR TECHNOLOGIES DRAWING GENERAL ASSEMBLY S61D-G/H, 2B, SAE 0, STD BOX, 400CH STA A0 A058G278 SHEET 1 OF 1
---	-------------	--	---