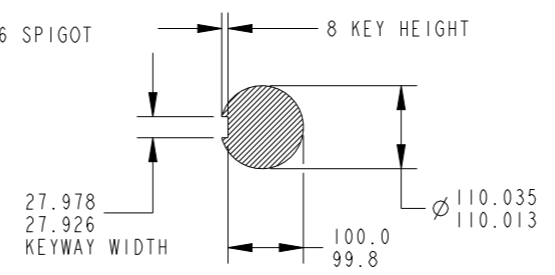
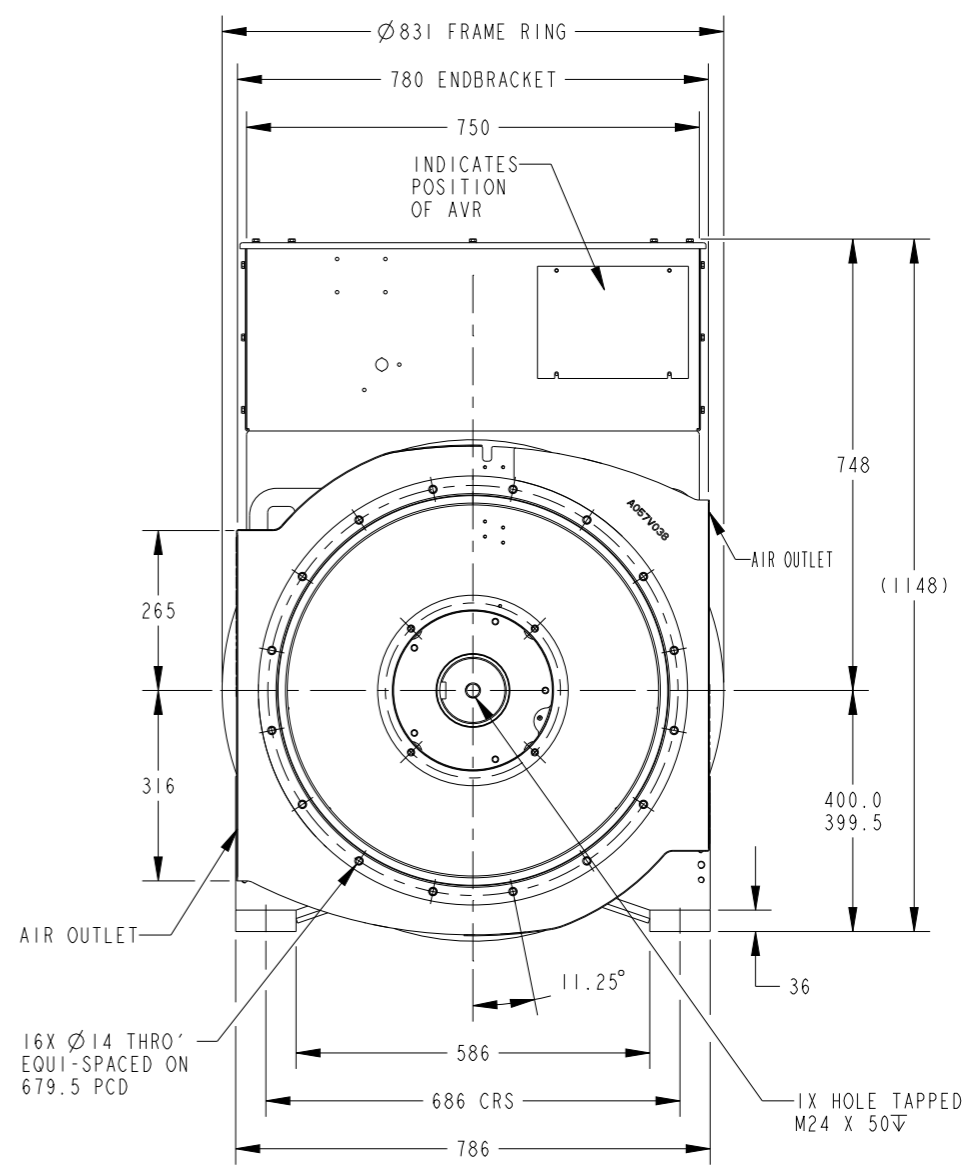
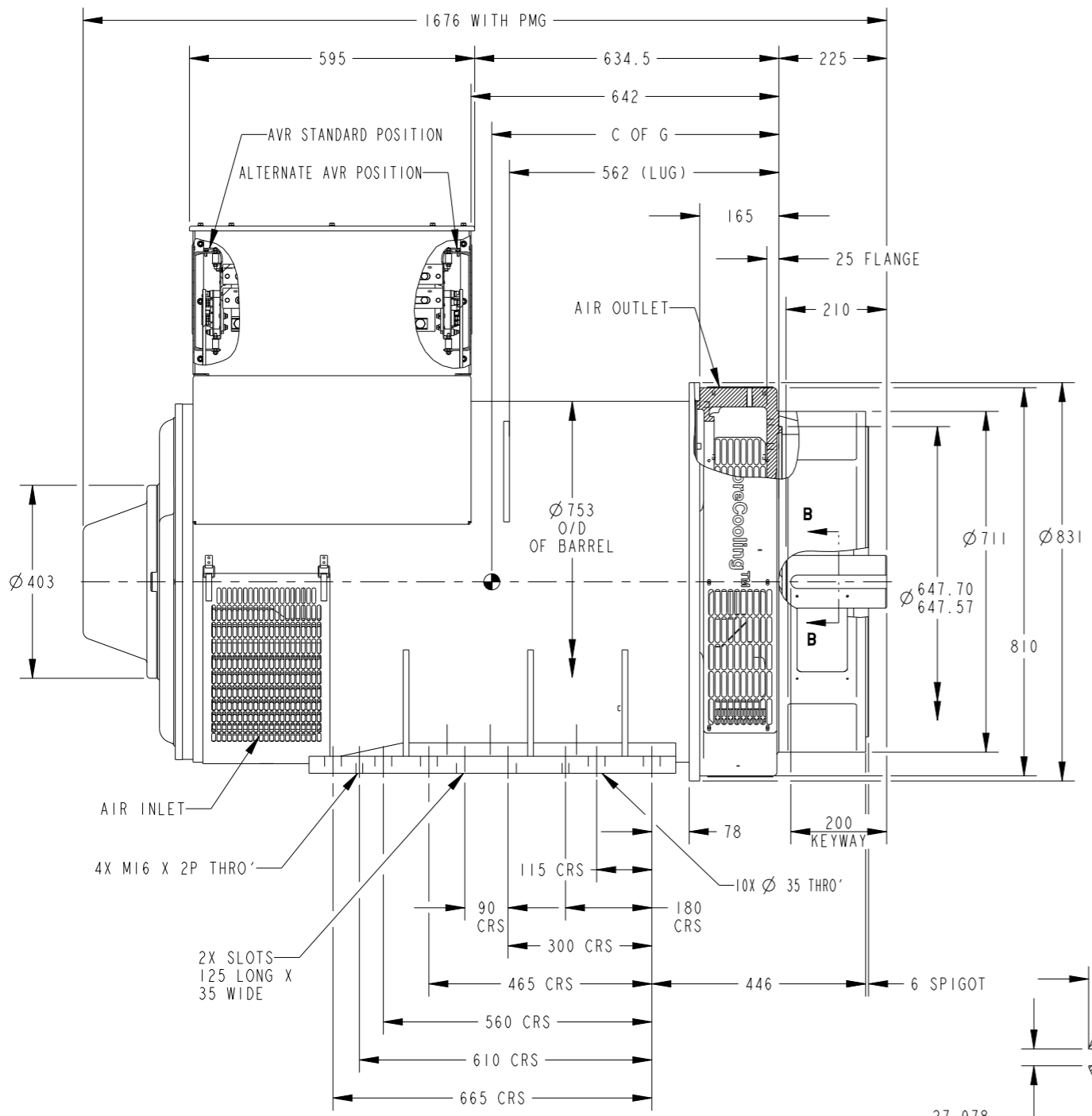


CORE	WEIGHT(KG)	C OF G
E	2020	563
F	2326	587

REL NO	REV	NO	REVISION	DWN	CKD	APVD	DATE
ECO-174329	B	1	SEE ECO FOR CHANGES	KP	RH	I.SAUNDATTI	08JAN18

NOTE:  
1. CUSTOMER MUST ENSURE THAT AIR INLET AND OUTLET POSITIONS ARE NOT OBSTRUCTED



UNLESS OTHERWISE SPECIFIED, ALL DIMENSIONS ARE IN MILLIMETERS	SIM TO -	DWN N_KAKATI		CUMMINS GENERATOR TECHNOLOGIES	
	DO NOT SCALE PRINT	CKD S_KARMARKAR		DRAWING, GENERAL ASSEMBLY	
SCALE 0.120		APVD I_SAUNDATTI	SITE CODE	S6LID-E/F, 2B, SAE 0, STD BOX, 400CH	
THIS DOCUMENT (AND THE INFORMATION SHOWN THEREON) IS CONFIDENTIAL AND PROPRIETARY AND SHALL NOT BE DISCLOSED TO OTHERS IN HARD COPY OR ELECTRONIC FORM, REPRODUCED BY ANY MEANS, OR USED FOR ANY PURPOSE WITHOUT WRITTEN CONSENT OF CUMMINS INC.	DATE 25OCT17	FIRST USED ON S6	STA	DWG SIZE A2	A058G277
					CAD SHEET 1 of 1