

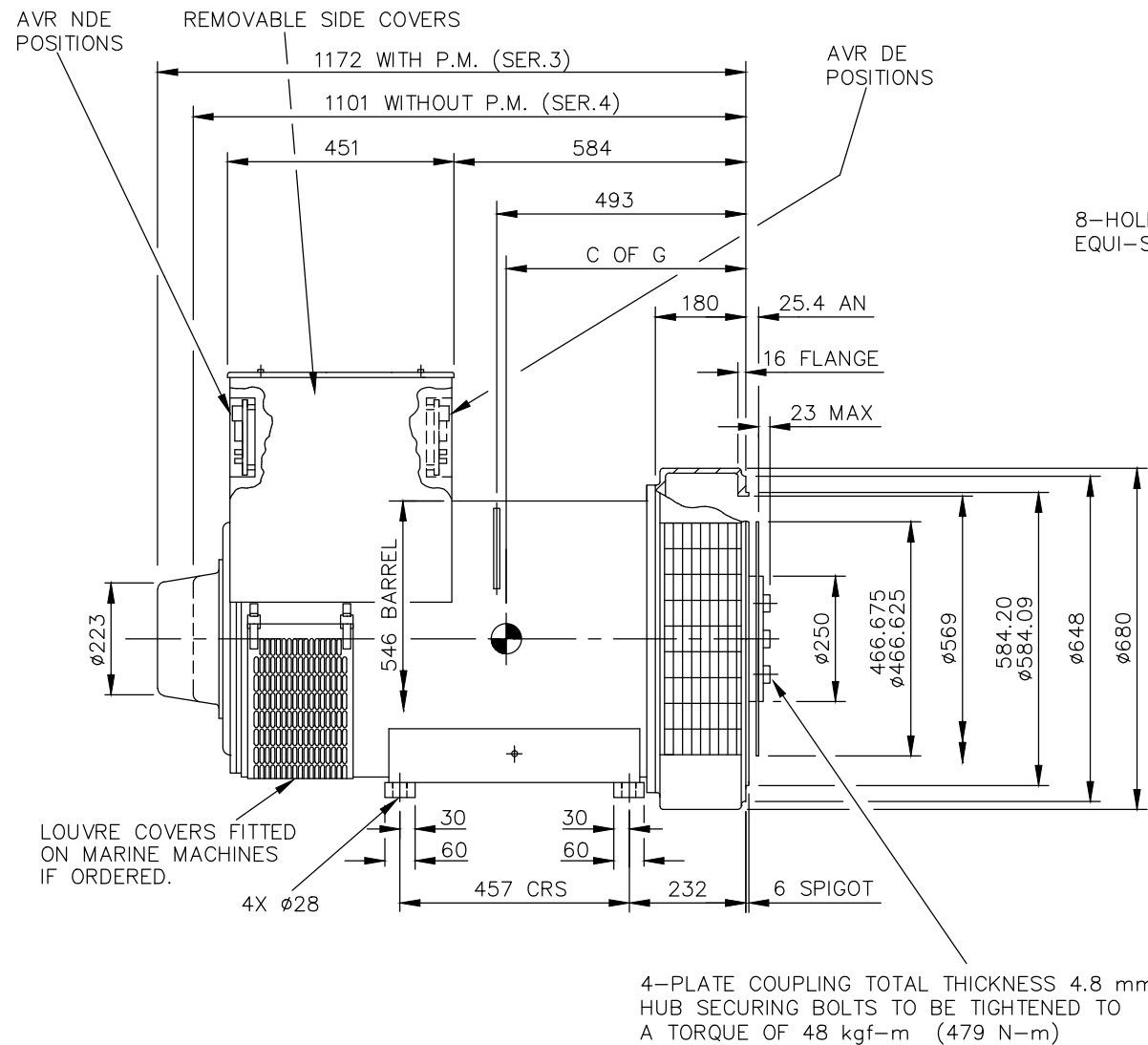
AutoCad

CORE	C OF G (mm)
C	463
D	483
E	504

REL NO	REV NO	NO	REVISION	DWN	CKD	APVD	DATE
ECO-171636	B	1	DESCRIPTION S4L1D CDE---WAS S4 CDE---	VS	PN	S_NARAYANAN	11AUG17

NOTE: -

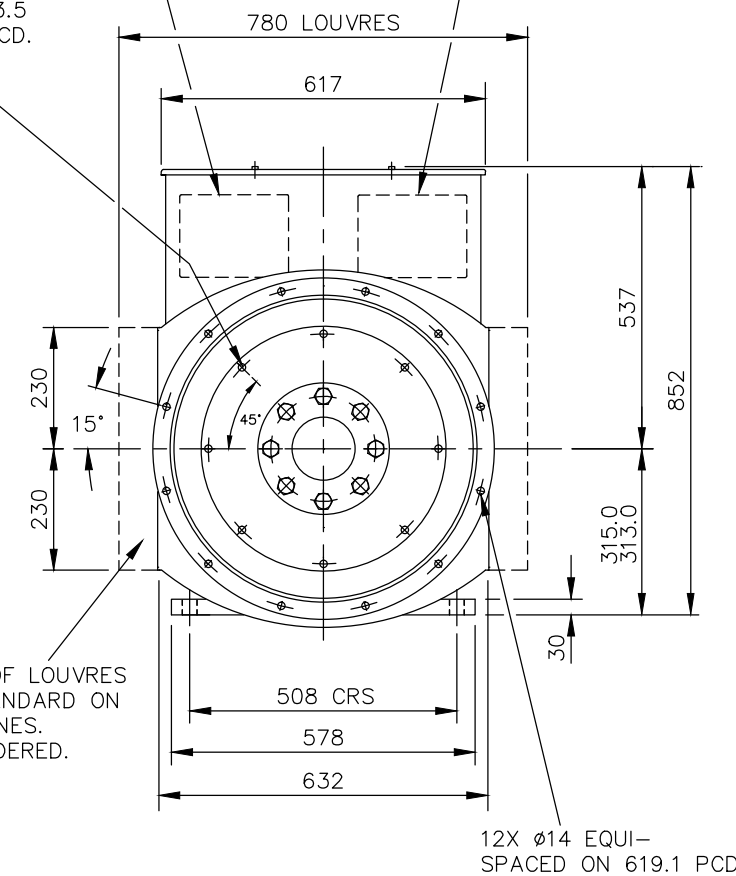
- CUSTOMER MAY CUT CABLE ENTRY HOLES AS REQUIRED IN ANY OF THE FOUR TERMINAL BOX SIDES SUBJECT TO POSITION OF A.V.R, TERMINALS ETC.



8-HOLES IN COUPLING Ø13.5 EQUI-SPACED ON 438.1 PCD.

60° DRIP PROOF LOUVRES FITTED AS STANDARD ON MARINE MACHINES. OTHERS IF ORDERED.

A.V.R. POSITION WHEN FITTED TO NDE OR DE (TO SUIT R/H CABLE ENTRY) A.V.R. POSITION WHEN FITTED TO NDE OR DE (TO SUIT L/H CABLE ENTRY)

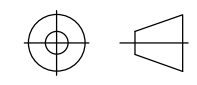


4-PLATE COUPLING TOTAL THICKNESS 4.8 mm
HUB SECURING BOLTS TO BE TIGHTENED TO A TORQUE OF 48 kgf-m (479 N-m)

UNLESS OTHERWISE SPECIFIED, ALL DIMENSIONS ARE IN MILLIMETERS

SIM TO 41-4533
DO NOT SCALE PRINT

SCALE
1:10



THIS DOCUMENT (AND THE INFORMATION SHOWN THEREON) IS CONFIDENTIAL AND PROPRIETARY AND SHALL NOT BE DISCLOSED TO OTHERS IN HARD COPY OR ELECTRONIC FORM, REPRODUCED BY ANY MEANS, OR USED FOR ANY PURPOSE WITHOUT WRITTEN CONSENT OF CUMMINS INC.

DRAWN S_BALAMURUGAN
CHECKED A_BIRARI
APPROVED B_SURVE
DATE 30JAN17



CUMMINS GENERATOR TECHNOLOGIES

DRAWING, GENERAL ASSEMBLY

S4L1D CDE 1-BRG SAE 0.5/14 STD T/BOX

FOR INTERPRETATION OF DIMENSIONING AND TOLERANCING, SEE ASME Y14.5-2009

SITE CODE

STA

DWG SIZE
A4

A057B576

CAD SHEET
1 of 1