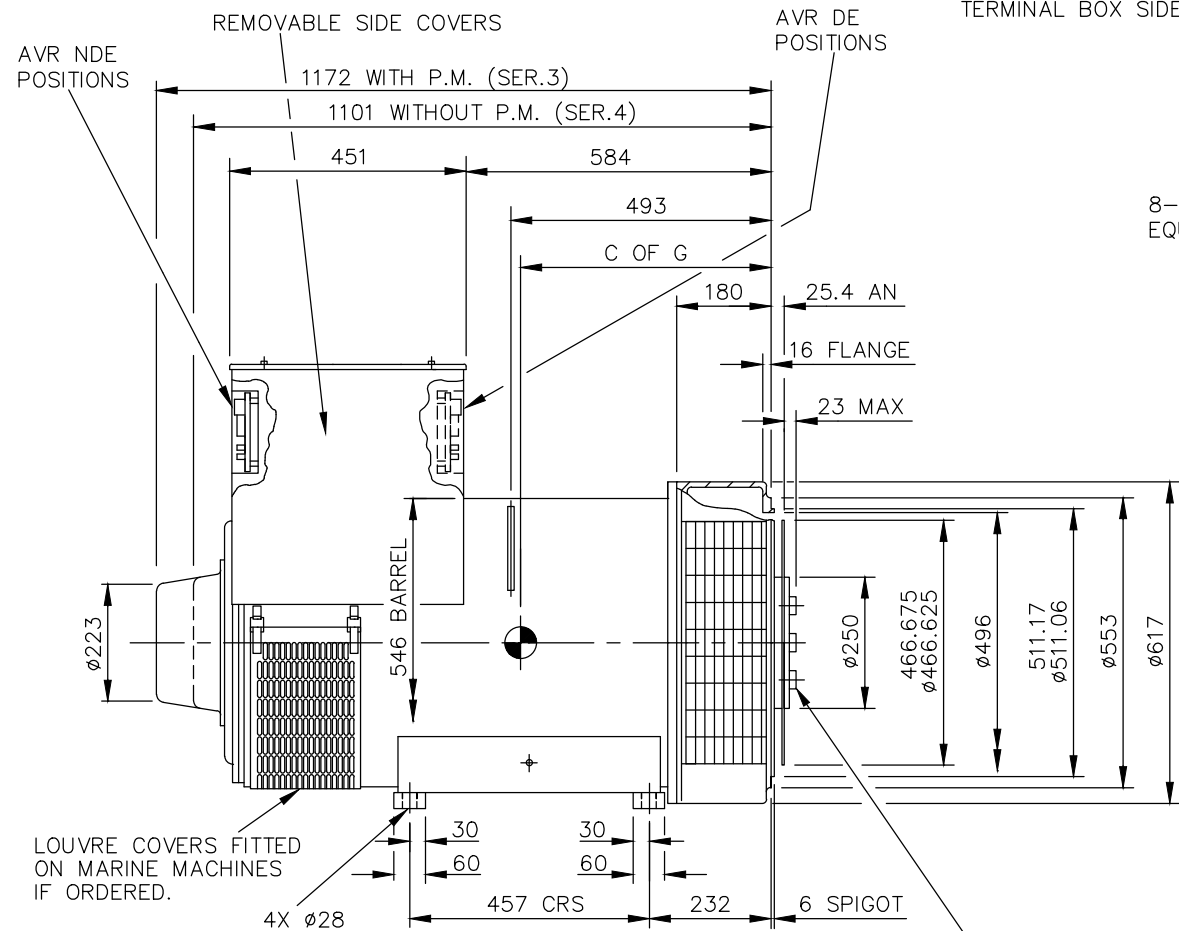


AutoCad

CORE	C OF G (mm)	WEIGHT(KG)
C	463	850
D	483	940
E	504	1024

REL NO	REV	NO	REVISION	DWN	CKD	APVD	DATE
ECO-171701	B	1	ZONE D4,ADDED WEIGHT (850KG) FOR C CORE	SA	PN	S_NARAYANAN	04SEP17
		2	ZONE D4,ADDED WEIGHT (940KG) FOR D CORE	SA	PN	S_NARAYANAN	04SEP17
		3	ZONE D4,ADDED WEIGHT (1024KG) FOR E CORE	SA	PN	S_NARAYANAN	04SEP17

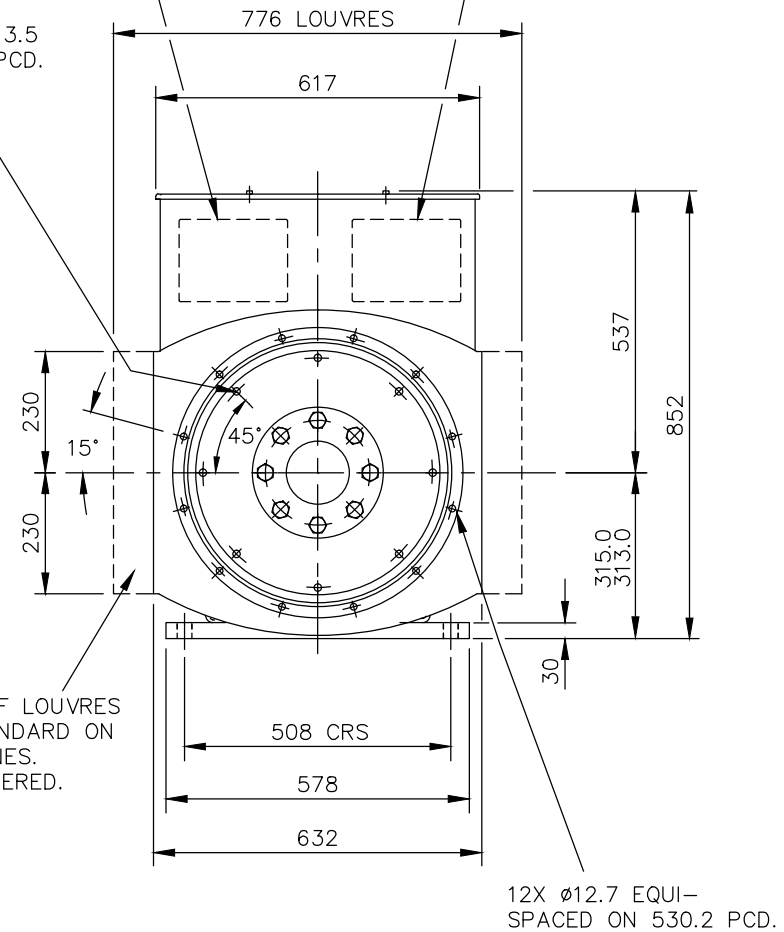
NOTE:-
1. CUSTOMER MAY CUT CABLE ENTRY HOLES AS REQUIRED IN ANY OF THE FOUR TERMINAL BOX SIDES SUBJECT TO POSITION OF A.V.R, TERMINALS ETC.



4-PLATE COUPLING TOTAL THICKNESS 4.8 mm
HUB SECURING BOLTS TO BE TIGHTENED TO
A TORQUE OF 48 kgf-m (479 N-m)

8-HOLES IN COUPLING Ø13.5
EQUI-SPACED ON 438.1 PCD.

A.V.R. POSITION WHEN FITTED TO NDE OR DE (TO SUIT R/H CABLE ENTRY)
A.V.R. POSITION WHEN FITTED TO NDE OR DE (TO SUIT L/H CABLE ENTRY)

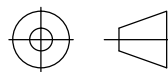


UNLESS OTHERWISE SPECIFIED, ALL DIMENSIONS ARE IN MILLIMETERS

SIM TO 41-4528

DO NOT SCALE PRINT

SCALE
1:10



THIS DOCUMENT (AND THE INFORMATION SHOWN THEREON) IS CONFIDENTIAL AND PROPRIETARY AND SHALL NOT BE DISCLOSED TO OTHERS IN HARD COPY OR ELECTRONIC FORM, REPRODUCED BY ANY MEANS, OR USED FOR ANY PURPOSE WITHOUT WRITTEN CONSENT OF CUMMINS INC.

DRAWN S_BALAMURUGAN

CHECKED A_BIRARI

APPROVED B_SURVE

DATE 30JAN17

FOR INTERPRETATION OF DIMENSIONING AND TOLERANCING, SEE ASME Y14.5-2009

FIRST USED ON
S4



SITE CODE

STA

CUMMINS GENERATOR TECHNOLOGIES

DRAWING, GENERAL ASSEMBLY

S4 CDE 1-BRG SAE 1/14 STD T/BOX

DWG SIZE
A4

A057B569

CAD SHEET
1 OF 1