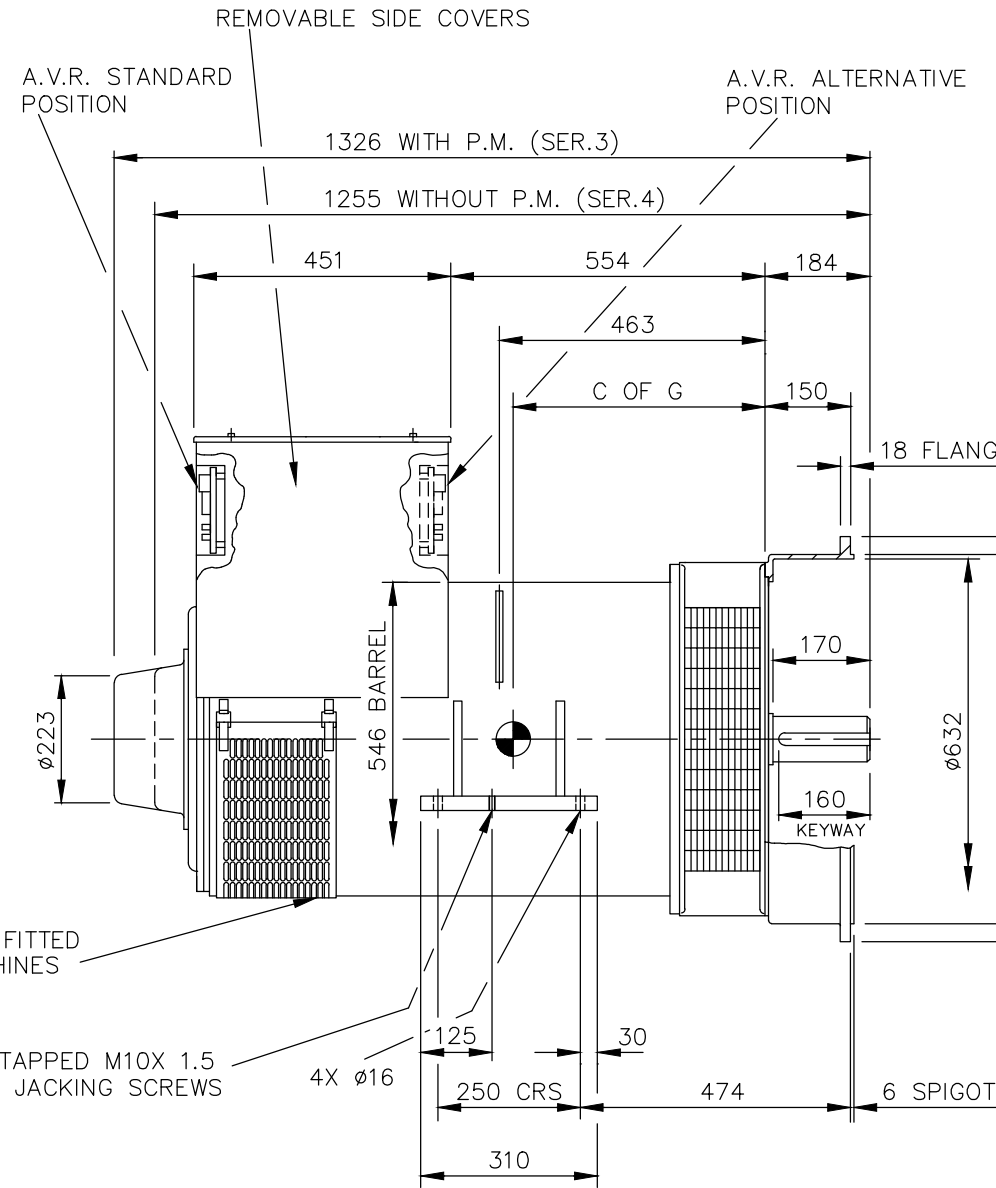
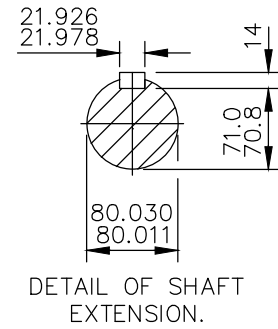


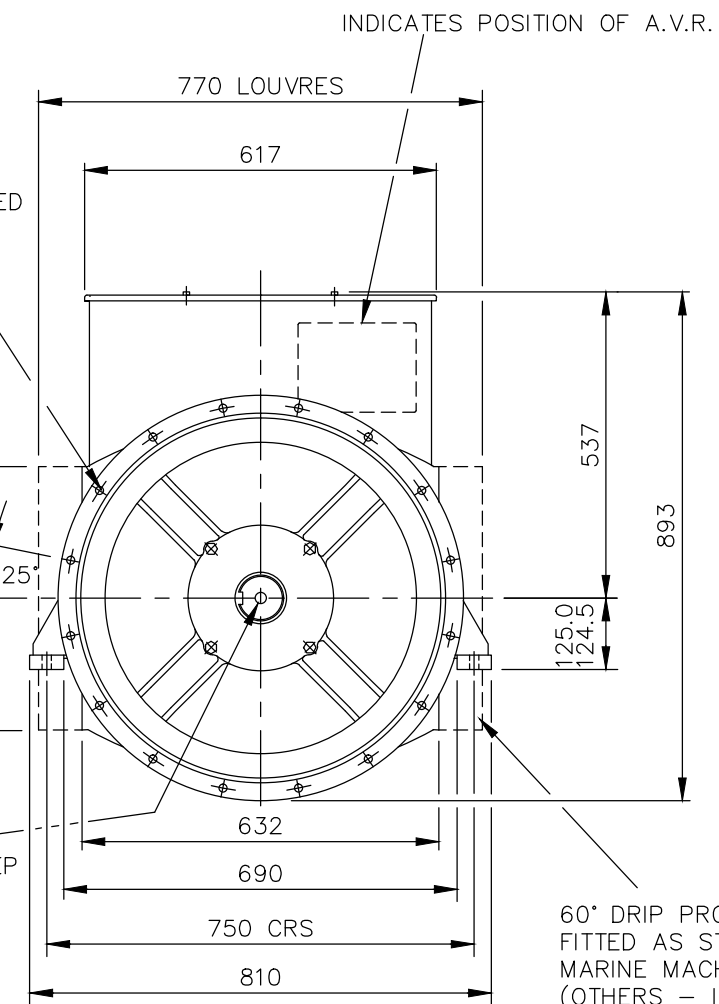
CORE	C OF G
C	433
D	453
E	474

REL NO	REV	NO	REVISION	DWN	CKD	APVD	DATE
ECO-166159	A	1	RELEASED FOR PRODUCTION	AL	AB	B_SURVE	14NOV16

NOTE: -
 1. CUSTOMER MAY CUT CABLE ENTRY HOLES AS REQUIRED IN ANY OF THE FOUR TERMINAL BOX SIDES SUBJECT TO POSITION OF A.V.R. TERMINALS, ETC.



16X Ø14 EQUI-SPACED ON 679.5 PCD.



LOUVRE COVERS FITTED ON MARINE MACHINES IF ORDERED.

D

D

C

C

B

B

A

A

UNLESS OTHERWISE SPECIFIED, ALL DIMENSIONS ARE IN MILLIMETERS	SIM TO 41-4512	DRAWN A_LAHEKAR		CUMMINS GENERATOR TECHNOLOGIES	
	DO NOT SCALE PRINT	CHECKED A_BIRARI		DRAWING, GENERAL ASSEMBLY	
SCALE 1:10		APPROVED B_SURVE	SITE CODE	S4 CDE 2-BRG, FEET 125 @ 750 X 250 CRS, STD ADAPTOR-SAE0, STD SHAFT (Ø170 X 80)	
THIS DOCUMENT (AND THE INFORMATION SHOWN THEREON) IS CONFIDENTIAL AND PROPRIETARY AND SHALL NOT BE DISCLOSED TO OTHERS IN HARD COPY OR ELECTRONIC FORM, REPRODUCED BY ANY MEANS, OR USED FOR ANY PURPOSE WITHOUT WRITTEN CONSENT OF CUMMINS INC.	DATE 14NOV16	FOR INTERPRETATION OF DIMENSIONING AND TOLERANCING, SEE ASME Y14.5-2009		STA	DWG SIZE A4
		FIRST USED ON S4			CAD SHEET 1 OF 1