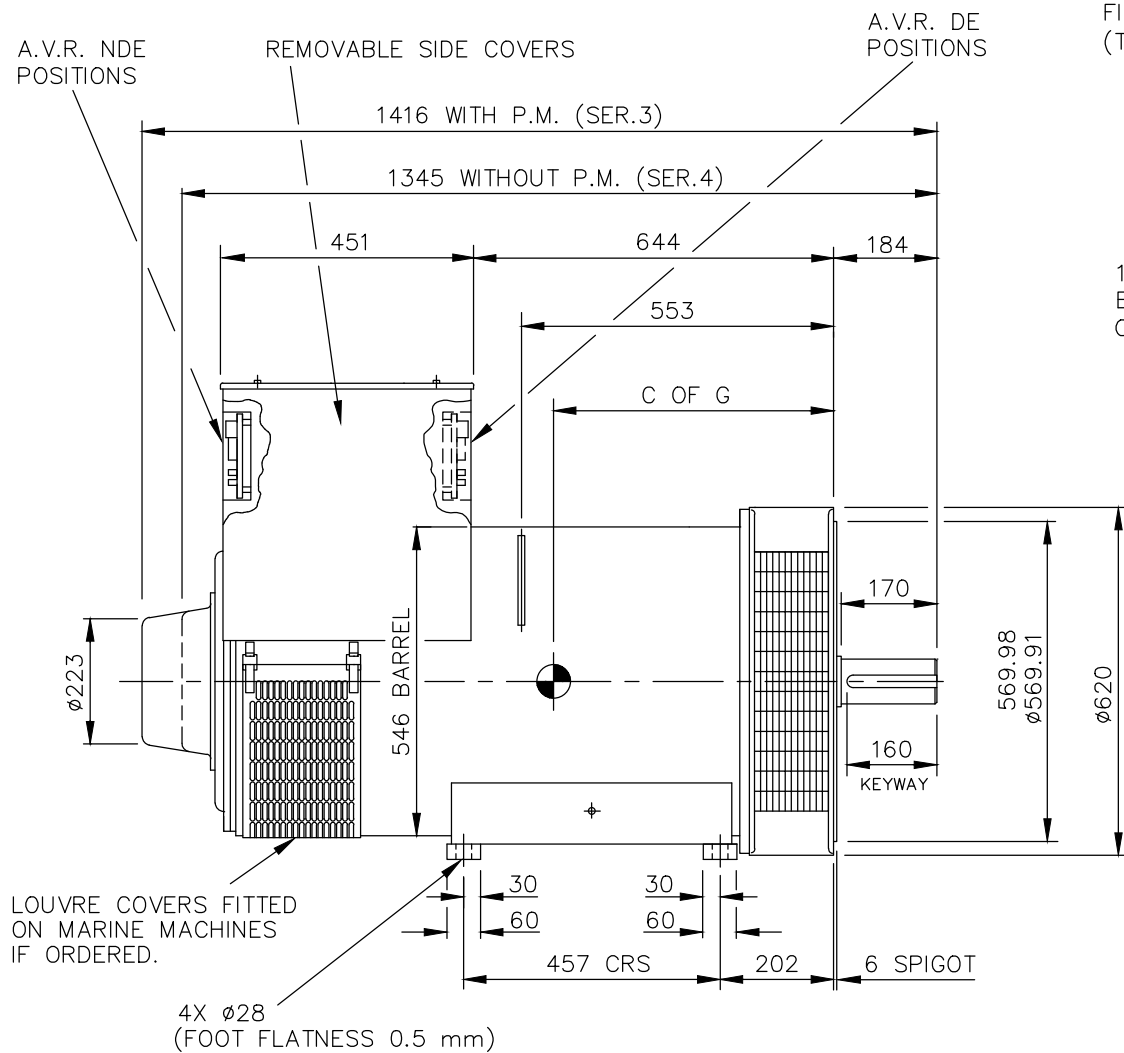
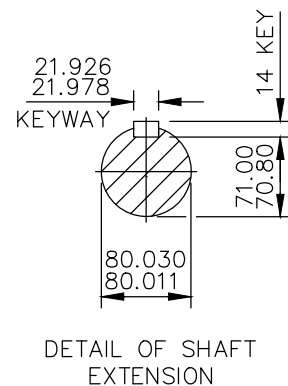


CORE	C OF G
F	500

REL NO	REV	NO	REVISION	DWN	CKD	APVD	DATE
ECO-166160	A	1	RELEASED FOR PRODUCTION	PP	AB	B_SURVE	14NOV16

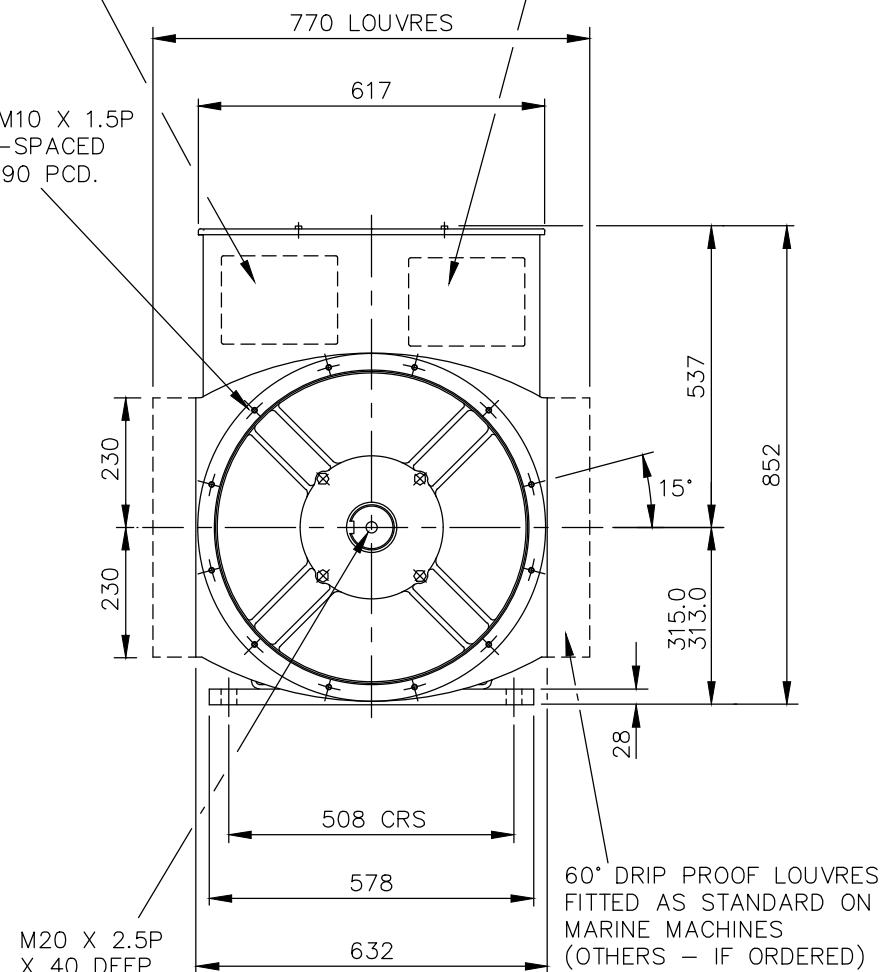
NOTE: -
 1. CUSTOMER MAY CUT CABLE ENTRY HOLES AS REQUIRED IN ANY OF THE FOUR TERMINAL BOX SIDES SUBJECT TO POSITION OF A.V.R, TERMINALS, ETC.



A.V.R. POSITION WHEN FITTED TO NDE OR DE (TO SUIT R/H CABLE ENTRY)

A.V.R. POSITION WHEN FITTED TO NDE OR DE (TO SUIT L/H CABLE ENTRY)

12X M10 X 1.5P EQUI-SPACED ON 590 PCD.



UNLESS OTHERWISE SPECIFIED, ALL DIMENSIONS ARE IN MILLIMETERS	SIM TO 41-4496	DRAWN P_PACHPUTE		CUMMINS GENERATOR TECHNOLOGIES			
	DO NOT SCALE PRINT	CHECKED A_BIRARI		DRAWING, GENERAL ASSEMBLY			
	SCALE 1:10	APPROVED B_SURVE		SITE CODE	S4 F 2-BRG STD GA		
	THIS DOCUMENT (AND THE INFORMATION SHOWN THEREON) IS CONFIDENTIAL AND PROPRIETARY AND SHALL NOT BE DISCLOSED TO OTHERS IN HARD COPY OR ELECTRONIC FORM, REPRODUCED BY ANY MEANS, OR USED FOR ANY PURPOSE WITHOUT WRITTEN CONSENT OF CUMMINS INC.	DATE 14NOV16		FIRST USED ON S4	STA	DWG SIZE A4	A056N436