

REL NO	REV	NO	REVISION	DWN	CKD	APVD	DATE
ECO-164765	A	1	RELEASED FOR PRODUCTION	PP	AB	B_SURVE	12SEP16

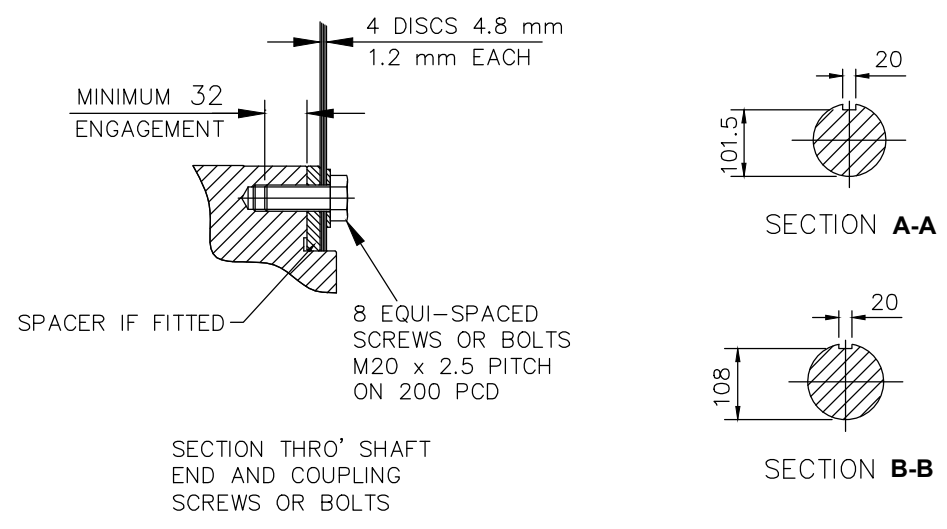
NOTES:

- SHAFT STIFFNESS: -
THE STIFFNESS OF THE SHAFT BETWEEN THE MAIN ROTOR CORE ϕ AND THE COUPLING HUB FACE ϕ IS 31.26×10^6 kgcm/radian (STIFFENING EFFECT OF MAIN ROTOR CORE IS NOT INCLUDED IN THIS FIGURE)
- SHAFT MATERIAL: -
STEEL - 080M40 TO BS970 PART 1 (APPROVED BY MARINE AUTHORITIES WHEN APPROPRIATE) MAXIMUM RECOMMENDED VIBRATORY STRESS LEVEL IN THE SHAFT IS 34.47×10^6 N/m² FOR SPEED RANGE OF 0.95 TO 1.1 X NOMINAL SPEED AND 68.94×10^6 N/m² FOR RUN THROUGH CONDITIONS, FOR INDUSTRIAL MACHINES. FOR MARINE AUTHORITIES, THEIR APPROPRIATE RULES WILL APPLY. CUMMINS GENERATOR TECHNOLOGIES SHOULD BE NOTIFIED OF ANY ROTORS NOT COMPLYING WITH THESE RULES
- CUMMINS GENERATOR TECHNOLOGIES BALANCE ROTORS TO COMPLY WITH INTERNATIONAL STD BS ISO 1940 GRADE 2.5 AND BS 6861 PART 1 GRADE 2.5 FOR UNBALANCED MAGNETIC PULL (U.M.P.) REFER TO THE GENERATOR MANUAL

COMPONENT	Wt kg	WR ² kgm ²
EX.ROTOR	31.290	0.5100
MAIN ROTOR	303.41	4.309
FAN	9.910	0.2630
SHAFT	94.530	0.1571
HUB	18.507	0.1779
P.M. STUB SHAFT	0.955	0.0002
P.M. EX. ROTOR	4.260	0.0120
TOTAL	462.862	5.4292

COUPLING SAE No	COUPLING DIMEN's		COUPLING ASSEMBLY WEIGHT kg	COUPLING STIFFNESS 4-PLATES kgcm/rad	COUPLING DISC WR ² kg m ²
	XX	YY			
$\phi 11.5"$	352	23.8	12.08	755.8×10^6	0.055
$\phi 17.75"$	450.9	2.5	9.11	662.4×10^6	0.150
$\phi 14"$	467	9.5	11.66	622.8×10^6	0.172
$\phi 18"$	572	0.0	12.07	570.0×10^6	0.386

CONVERSION FACTORS		
TO CONVERT	TO	DIVIDE BY
kg	lb	0.453592
kg m ²	lb ft ²	0.04214
kgcm/rad	lbin/rad	1.1521246
N/m ²	lbf/in ²	6894.76



UNLESS OTHERWISE SPECIFIED, ALL DIMENSIONS ARE IN MILLIMETERS	SIM TO L15-12488	DRAWN P_PACHPUTE		CUMMINS GENERATOR TECHNOLOGIES	
	DO NOT SCALE PRINT	CHECKED A_BIRARI		DRAWING, TORSIONAL	
SCALE NTS		APPROVED B_SURVE	SITE CODE	S4 F 1-BRG	
THIS DOCUMENT (AND THE INFORMATION SHOWN THEREON) IS CONFIDENTIAL AND PROPRIETARY AND SHALL NOT BE DISCLOSED TO OTHERS IN HARD COPY OR ELECTRONIC FORM, REPRODUCED BY ANY MEANS, OR USED FOR ANY PURPOSE WITHOUT WRITTEN CONSENT OF CUMMINS INC.	DATE 12SEP16	FOR INTERPRETATION OF DIMENSIONING AND TOLERANCING, SEE ASME Y14.5-2009		STA	DWG SIZE A0
	FIRST USED ON S4			A056E029	