

AutoCad

4

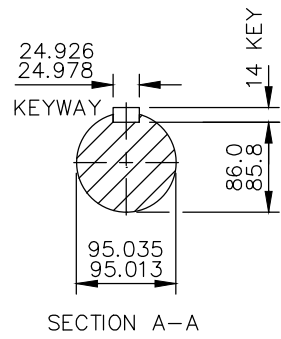
3

2

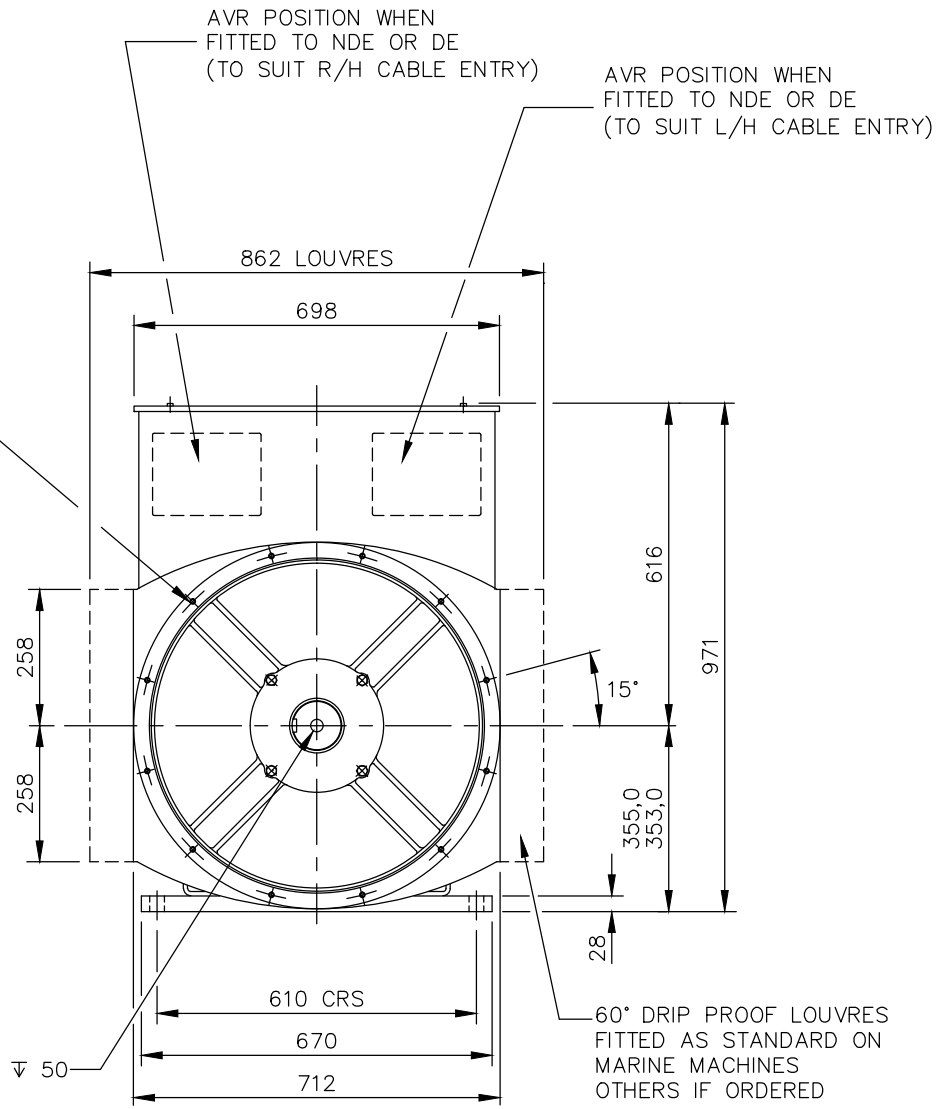
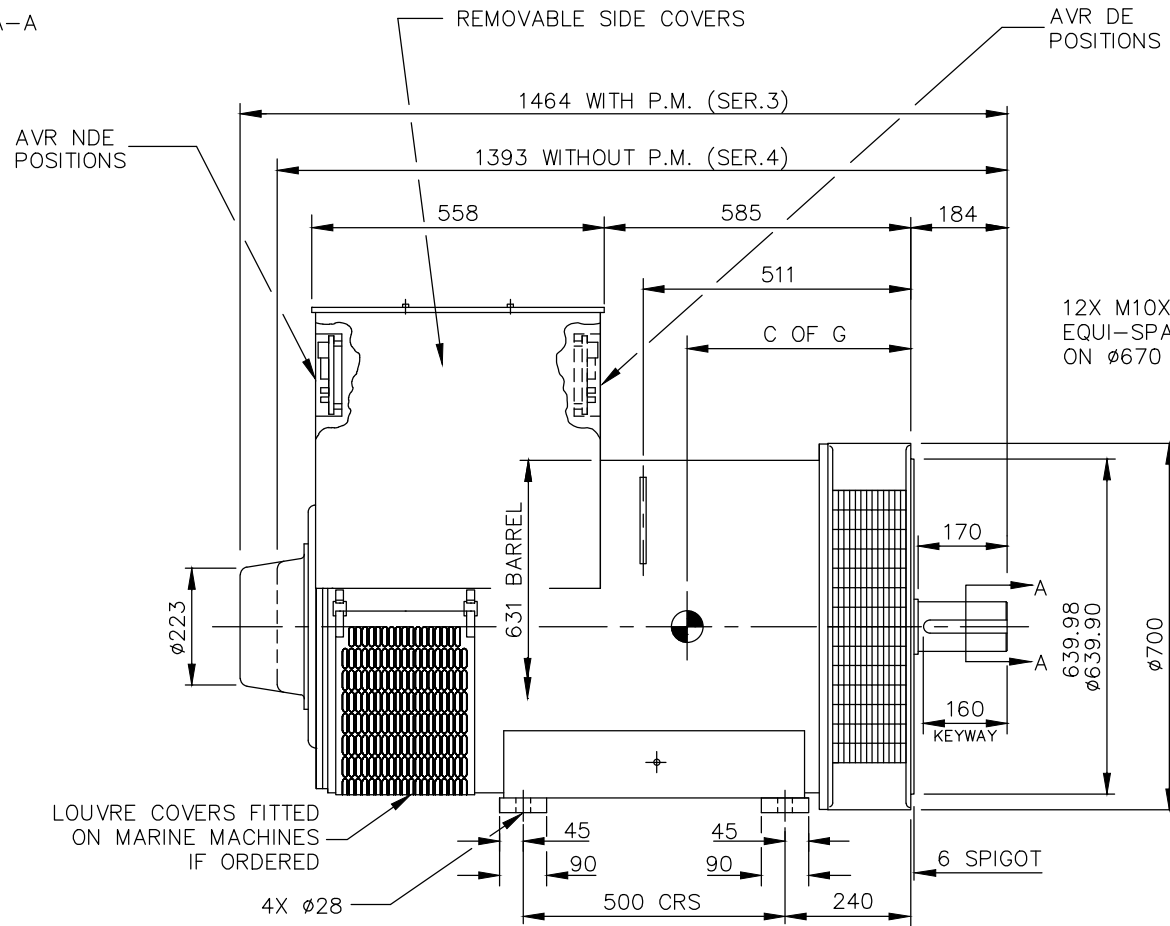
1

REL NO	REV NO	REVISION	DWN	CKD	APVD	DATE	
ECO-178473	A	1	PRODUCTION RELEASE	VDS	DGL	K.WEJRZANOWSKI	25JUN18

NOTE: -
 1. CUSTOMER MAY CUT CABLE ENTRY HOLES AS REQUIRED IN ANY OF THE FOUR TERMINAL BOX SIDES SUBJECT TO POSITION OF AVR, TERMINALS, ETC.



CORE	C OF G
C	498
D	518
E	538



D
C
B
A

D
C
B
A

UNLESS OTHERWISE SPECIFIED, ALL DIMENSIONS ARE IN MILLIMETERS	SIM TO 52-4689	DRAWN V.SHIPPARKAR	
	DO NOT SCALE PRINT	CHECKED D.LEE	
SCALE 1:10		APPROVED K.WEJRZANOWSKI	SITE CODE
THIS DOCUMENT (AND THE INFORMATION SHOWN THEREON) IS CONFIDENTIAL AND PROPRIETARY AND SHALL NOT BE DISCLOSED TO OTHERS IN HARD COPY OR ELECTRONIC FORM, REPRODUCED BY ANY MEANS, OR USED FOR ANY PURPOSE WITHOUT WRITTEN CONSENT OF CUMMINS INC.	DATE 25JUN18	DATE 25JUN18	
	FOR INTERPRETATION OF DIMENSIONING AND TOLERANCING, SEE ASME Y14.5-2009	FIRST USED ON S5	DATE 25JUN18

CUMMINS GENERATOR TECHNOLOGIES	
DRAWING, GENERAL ASSEMBLY	
S5L1S CDE 2-BRG, NO ADAPTOR	
STA	A056U909
CAD SHEET 1 of 1	

4

3

2

1