



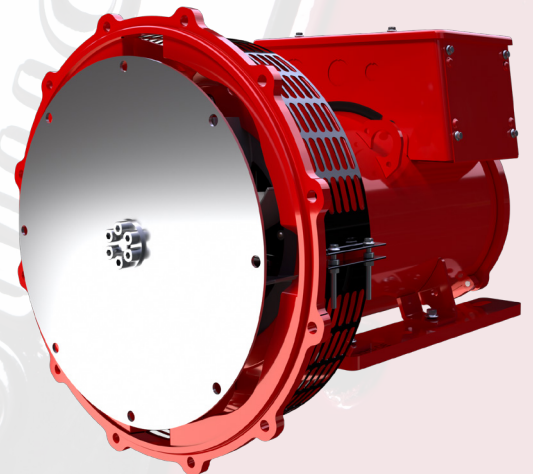
STAMFORD® S-RANGE STAMFORD® S0 & S1



LOW VOLTAGE ALTERNATOR

7.5-62.5 kVA 50Hz

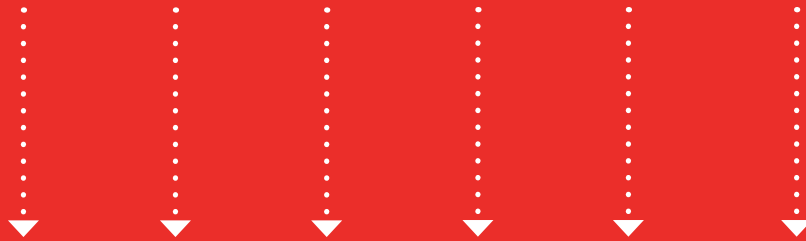
9-75 kVA 60Hz



STAMFORD | AvK™
POWERING TOMORROW, TOGETHER

The S0/S1 Nomenclature

S **0** **L** **1 - D** **1**

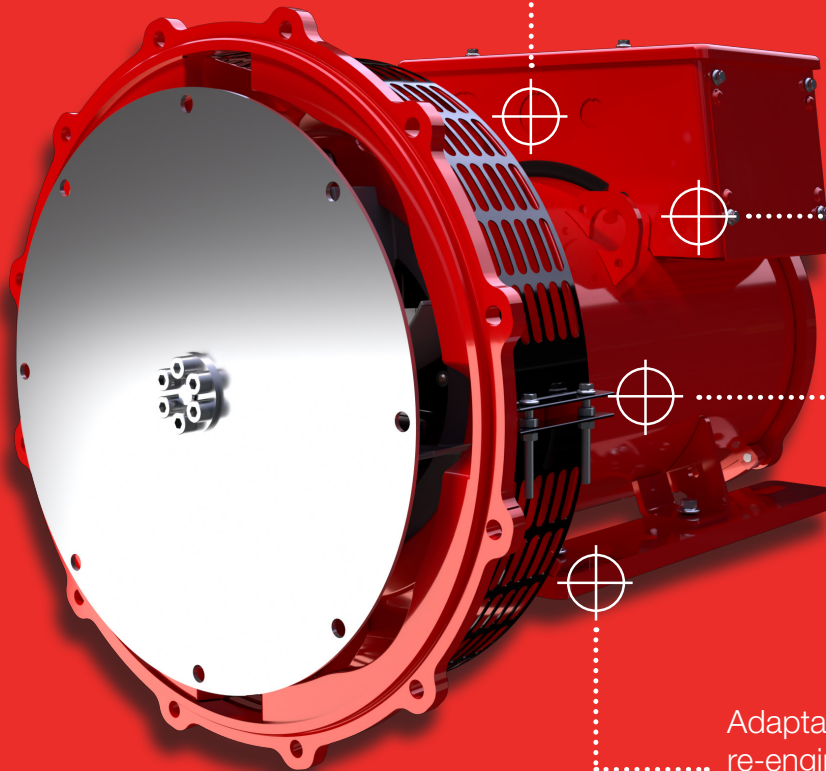


Character	Brand	Family Series	Voltage	Sub range	Core	Bearing
Examples	STAMFORD	0/1	L = Low	1/2	C, D, E	1/2

STAMFORD® S0/S1



20% quicker
assembly time



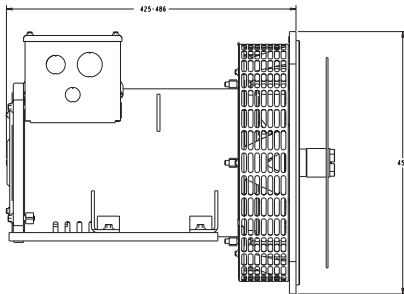
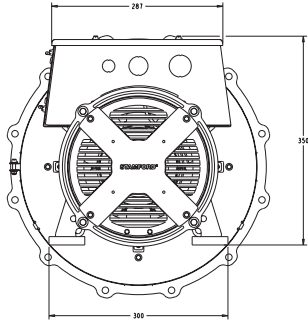
Leading
compactness

Guaranteed
STAMFORD®
quality

Adaptable feet for zero
re-engineering time

*60Hz 480V Continuous 125/40°C

Product evolution through technological revolution.
Our new **CoreCooling™** technology results in improved thermal performance
and increased power density... it's in the detail.



We are here to support your future decarbonisation goals, through our end-to-end expertise in versatile solutions. Backed by the reassurance of our world-renowned brands recognised for reliability and complete peace of mind, we are with you on your journey towards sustainability.



stamford-avk.com/future-ready

MODEL	S0	S1
Ratings at 50Hz (kVA)	7.5 - 30	35 - 62.5
Ratings at 60Hz (kVA)	9 - 36	42 - 75
Specifications		
Voltage Range (@50Hz, 3 Phase)	400/415	400/415
Voltage Range (@60Hz, 3 Phase)	480	480
Poles	4	4
Technology	Wire Wound	Wire Wound
AVR	Analogue (AS540)	Analogue (AS540)
Voltage Sensing	2 Phase	2 Phase
Bearing Arrangement	Single	Single
SAE Adaptors	3, 4, 5	3, 4, GM
Terminals	12	12
Insulation Class	H	H
Excitation System	Self Exciting	Self Exciting
Ingress Protection	IP23	IP23
Optional Features		
Excitation System	Auxiliary Winding*	Auxiliary Winding
Output Configurations	1 Phase Reconnection	1 Phase Reconnection
Environmental Protection	Anti-Condensation Heater	Anti-Condensation Heater
Flexible Foot Mounting	S0L1: 132-160mm	S1L2: 180-225mm
	S0L2: 160-180mm	
Current Transformers	3**	3
Designed For		
Standby Power	✓	✓
Telecommunications	✓	✓
Construction	✓	✓
Combined Heat & Power	✓	✓
Critical Protection & UPS	✓	✓
Continuous Power	✓	✓
Prime Movers		
Diesel Engine	✓	✓
Gas Engine	✓	✓

*Auxiliary Winding not available for 7.5 to 15 kVA

** CTs are not offered on S0L1

**3 YEAR
WARRANTY**

Benefits to you

QUALITY

- Lighter and more compact than previous alternators
- High quality **STAMFORD®** design and manufacture
- Robust steel and cast iron exterior

ASSEMBLY

- Quick and easy generator set assembly
- Up to 20% reduction in generator set assembly time
- Easily accessible adaptor, feet and terminal box

COMPATABILITY

- Zero re-engineering of generator set base when switching alternator brands
- Variety of SAE options to fit all major engines
- Convertible from 50Hz to 60Hz and vice-versa

PERFORMANCE

- Performs in all environments
- Every alternator tested for declared performance before despatch
- Enhanced motor starting capability without increasing length

RELIABILITY

- Designed to perform for a minimum of 20,000 hours
- All componentry subjected to 9,000 hours of highly accelerated life testing
- Strict supplier selection and manufacturing standards

COMPLIANCE

- Compliant with codes and standards globally
- IP23 protection as standard
- UL certified
- IEC and NEMA compliant

OPTIONS

- Auxiliary winding for improved motor starting capability
- Accessories include space heaters, diode failure detector and remote trimmer
- Choice of AVR position and centre height

STAMFORD®

S0 & S1

Ratings

50Hz Single Phase

230V, 0.8PF, 4 pole, 1500rpm, wdg 05								
Model	Continuous 125/40		Continuous 105/40		Standby 150/40		Standby 163/27	
	kVA	kW	kVA	kW	kVA	kW	kVA	kW
S0L1-J1	7.5	6.0	6.8	5.5	8.0	6.4	8.3	6.6
S0L1-S1	10.0	8.0	9.1	7.3	10.7	8.6	11.0	8.8
S0L2-K1*	15.0	12.0	13.7	10.9	16.0	12.8	16.5	13.2
S0L2-U1*	20.0	16.0	18.2	14.6	21.3	17.0	22.0	17.6
S1L2-K1*	25.0	20.0	22.8	18.2	26.7	21.4	27.5	22.0
S1L2-R1*	30.0	24.0	27.3	21.8	32.0	25.6	33.0	26.4

* Auxiliary winding option available (wdg 705)

50Hz Three Phase

400V/415V, 0.8PF, 4 pole, 1500rpm, wdg 311								
Model	Continuous 125/40		Continuous 105/40		Standby 150/40		Standby 163/27	
	kVA	kW	kVA	kW	kVA	kW	kVA	kW
S0L1-D1	7.5	6.0	6.8	5.5	8.0	6.4	8.3	6.6
S0L1-H1	10.0	8.0	9.1	7.3	10.7	8.6	11.0	8.8
S0L1-L1	12.5	10.0	11.4	9.1	13.3	10.6	13.8	11.0
S0L1-P1	15.0	12.0	13.7	10.9	16.0	12.8	16.5	13.2
S0L2-F1*	17.5	14.0	15.9	12.7	18.7	15.0	19.3	15.4
S0L2-G1*	20.0	16.0	18.2	14.6	21.3	17.0	22.0	17.6
S0L2-M1*	25.0	20.0	22.8	18.2	26.7	21.4	27.5	22.0
S0L2-P1*	30.0	24.0	27.3	21.8	32.0	25.6	33.0	26.4
S1L2-J1*	35.0	28.0	31.9	25.5	37.5	30.0	38.5	30.8
S1L2-K1*	40.0	32.0	36.4	29.1	42.6	34.1	44.0	35.2
S1L2-N1*	45.0	36.0	41.0	32.8	48.0	38.4	49.5	39.6
S1L2-R1*	50.0	40.0	45.5	36.4	53.3	42.6	55.0	44.0
S1L2-Y1*	62.5	50.0	56.9	45.5	66.6	53.3	68.8	55.0

* Auxiliary winding option available (wdg 711)

60Hz Single Phase

240V, 0.8PF, 4 pole, 1800rpm, wdg 06								
Model	Continuous 125/40		Continuous 105/40		Standby 150/40		Standby 163/27	
	kVA	kW	kVA	kW	kVA	kW	kVA	kW
S0L1-J1	9.0	7.2	8.1	6.5	9.5	7.6	9.8	7.8
S0L1-S1	12.0	9.6	10.8	8.6	12.7	10.2	13.1	10.5
S0L2-G1*	14.5	11.6	13.1	10.5	15.4	12.3	15.8	12.6
S0L2-M1*	19.3	15.4	17.4	13.9	20.5	16.4	21.2	16.9
S0L2-U1*	24.0	19.2	21.7	17.4	25.6	20.5	26.4	21.1
S1L2-G1*	27.0	21.6	24.4	19.5	28.6	22.9	30.0	24.0
S1L2-H1*	29.0	23.2	26.2	21.0	30.7	24.6	31.9	25.5
S1L2-K1*	33.5	26.8	30.4	24.3	35.6	28.4	36.9	29.5
S1L2-N1*	36.5	29.2	33.0	26.4	38.6	30.9	40.6	32.4

* Auxiliary winding option available (wdg 706)

60Hz Three Phase

480V, 0.8PF, 4 pole, 1800rpm, wdg 311								
Model	Continuous 125/40		Continuous 105/40		Standby 150/40		Standby 163/27	
	kVA	kW	kVA	kW	kVA	kW	kVA	kW
S0L1-D1	9.0	7.2	8.2	6.6	9.6	7.7	10.0	8.0
S0L1-H1	12.0	9.6	10.9	8.7	12.8	10.2	13.2	10.6
S0L1-L1	15.0	12.0	13.7	11.0	16.0	12.8	16.5	13.2
S0L1-P1	18.0	14.4	16.4	13.1	19.2	15.4	19.8	15.8
S0L2-F1*	21.0	16.8	19.1	15.3	22.4	17.9	23.1	18.5
S0L2-G1*	24.0	19.2	21.8	17.4	25.6	20.5	26.4	21.1
S0L2-M1*	30.0	24.0	27.3	21.8	32.0	25.6	33.0	26.4
S0L2-P1*	36.0	28.8	32.8	26.2	38.4	30.7	39.6	26.4
S1L2-J1*	42.0	33.6	38.2	30.6	45.0	36.0	46.2	30.8
S1L2-K1*	48.0	38.4	43.7	35.0	51.2	41.0	52.8	35.2
S1L2-N1*	54.0	43.2	49.1	39.3	57.6	46.1	59.4	39.6
S1L2-R1*	60.0	48.0	54.6	43.7	64.0	51.2	66.0	52.8
S1L2-Y1*	75.0	60.0	68.2	54.6	80.0	64.0	82.5	55.0

* Auxiliary winding option available (wdg 711)

stamford-avk@cummins.com

www.stamford-avk.com



Copyright 2022, Cummins Generator Technologies Ltd. All rights reserved.
STAMFORD and AvK are registered trademarks of Cummins
Generator Technologies Ltd.

Part No. PB_S0S1_EN/AF_Rev.2

STAMFORD | AvK™

POWERING TOMORROW, TOGETHER