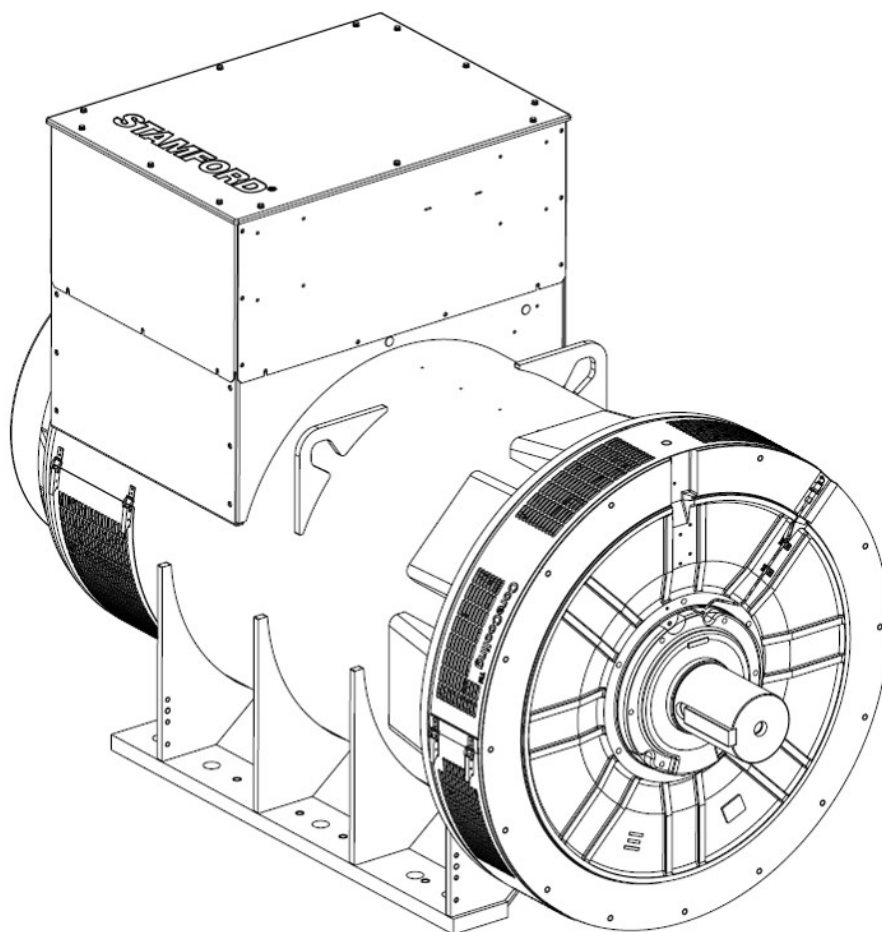


## Parts Manual LEGACY PRODUCTS





# Table of Contents

---

1. FOREWORD .....	1
2. BCA164 & BCI164 A TO E 2 BEARING (4 POLE) .....	3
3. BCA162 & BCI162 1 BEARING (2 POLE) .....	5
4. BCL164 & 184 A-F 1 BEARING (4 POLE).....	9
5. BCA162 & BCI162 2 BEARING (2 POLE) .....	11
6. BCA164 & BCI164 1 BEARING (4 POLE) .....	15
7. BCA182 & BCI182 H TO K 1 BEARING (2 POLE).....	19
8. BCA182 & BCI182 H TO K 2 BEARING (2 POLE).....	23
9. BCI184 1 BEARING (4 POLE) .....	25
10. BCI184 2 BEARING (4 POLE) .....	29
11. HC734E TO H 1 BEARING (SER 3).....	31
12. HC734E TO H 2 BEARING (SER 3).....	35
13. FRAME 8 MK2 1 BEARING .....	39
14. FRAME 8 MK2 2 BEARING .....	41
15. ACCESSORIES.....	43

-

---

This page is intentionally blank.

# 1 Foreword

---

## 1.1 General

This manual applies to alternators produced by Cummins Generator Technologies LTD (CGT). Alternators are identified by their model number, each part or assembly is illustrated and is identified by a reference number corresponding to the list of part numbers in the accompanying table.

Alternator parts that have been modified or added by Cummins are identified in this manual. Contact your nearest authorized distributor for assistance in ordering replacement parts by referring to the item nameplate and supplying all available information.

To access operator manuals and technical information or for technical assistance and service support, visit [www.stamford-avk.com](http://www.stamford-avk.com) or contact [emea.service@cummins.com](mailto:emea.service@cummins.com).

## 1.2 Model Identification

This manual covers alternator models produced by under the Cummins Generator Technologies LTD (CGT) STAMFORD® branded alternators.

To avoid errors or delay in filling your parts order, always state the MODEL and SERIAL NUMBER from the Alternator nameplate.

The alternator serial number is located on a data tag on the alternator.

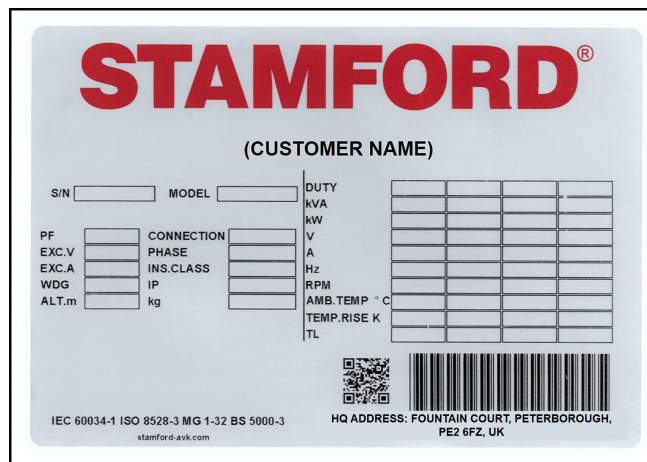


FIGURE 1. ALTERNATOR RATING PLATE

## 1.3 Abbreviations

Some of the following abbreviations may be used throughout this manual:

AVR - Automatic Voltage Regulator  
DE - Drive End  
PMG - Permanent Magnet Generator  
SAE - Society of Automotive Engineers  
FWD/REV - Forward & Reverse

EBS - Excitation Boost System  
NDE - Non-Drive End  
QMSN - Quote Manufacturer Serial Number  
C/W - Complete With  
A/F - Air Filter

-

---

This page is intentionally blank.

## 2 BCA164 & BCI164 A To E 2 Bearing (4 Pole)

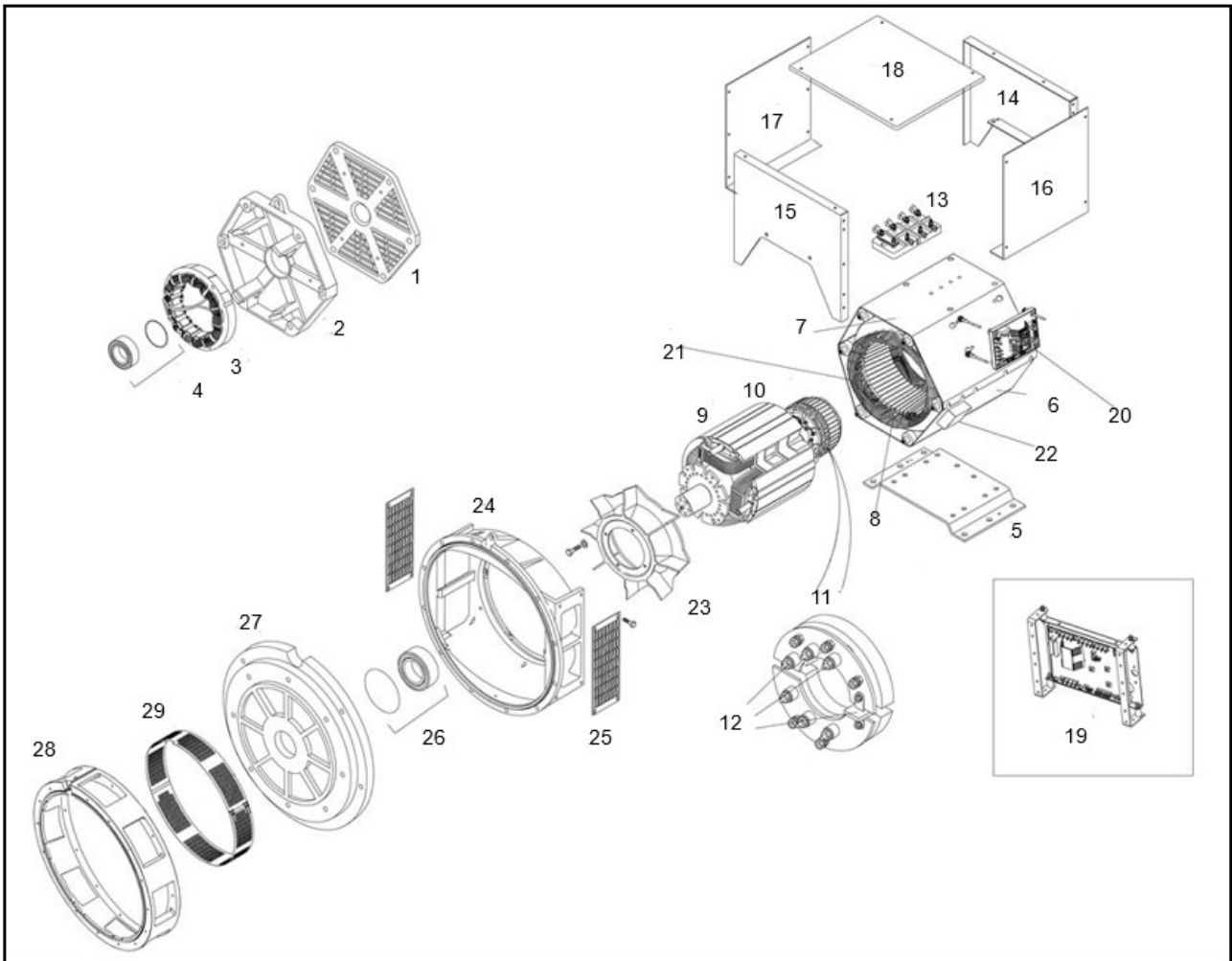


FIGURE 2. BCA164 & BCI164 A TO E 2 BEARING (4 POLE) PARTS DRAWING

TABLE 1. BCA164 & BCI164 A TO E 2 BEARING (4 POLE) PARTS LIST

Item	Part No.	Description	Qty
1	130-20661	NDE Cover	1
2	130-20667	NDE Bracket	1
3	130-1380	Exciter stator bcl164 (25mm) A - D	1
4	45-0866	NDE Bearing Kit	1
Z5	130-20830	Foot	1
6	130-20745	Frame cover bottom A - B	1
	130-20834	Frame cover bottom C - D	1
	130-20802	Frame cover bottom E	1
7	130-22002	Frame cover top A - B	2

Item	Part No.	Description	Qty
	130-22003	Frame cover top C - D	1
	130-22004	Frame cover top E	1
8	QMSN	Main stator bar assembly	1
9	QMSN	Main rotor shaft assembly	1
10	130-1385	Exciter rotor (25mm) A - D	1
11	45-0427	Rectifier assembly	1
12	RSK-1101	Diode Fwd/Rev & Varistor Kit	1
13	130-22000	Main terminal panel from (30/10/05)	1
14	130-22008	NDE Terminal panel from 30/10/05	1
15	130-22008	DE Terminal panel from 30/10/05	2
16	130-20820	Side panel (AVR) to 30/10/05	1
	130-20993	Side panel (AVR) from 30/10/05	1
17	130-20819	Side panel	1
18	130-20821	Terminal box lid	1
19	45-0755	AVR Mounting assy kit (no AVR)	1
20	E000-24602/1P	AVR SX460 (standard)	1
	E000-24608/1P	AVR SX460 UL approved	1
	E000-24403/1P	AVR AS440	1
	E000-24408/1P	AVR AS440 UL approved	1
21	45-0195	Heater 110-120v	1
	45-0194	Heater 220-260v	1
22	45-0024	Heater terminal box (for retrofit)	1
23	45-0727	Fan SAE 5 & 6	1
24	130-21602	DE Adaptor bracket SAE 5	1
25	130-21325	DE Screen	2
26	45-0363	DE Bearing Kit	1
27	130-20773	DE Endbracket	1
28	45-0719	Adaptor Kit SAE 2	1
	45-0619	Adaptor Kit SAE 3	1
	45-0620	Adaptor Kit SAE 4	1
	45-0621	Adaptor Kit SAE 5	1
29	SEE ITEM 28	Adaptor screen included in adaptor kit	1



### 3 BCA162 & BCI162 1 Bearing (2 Pole)

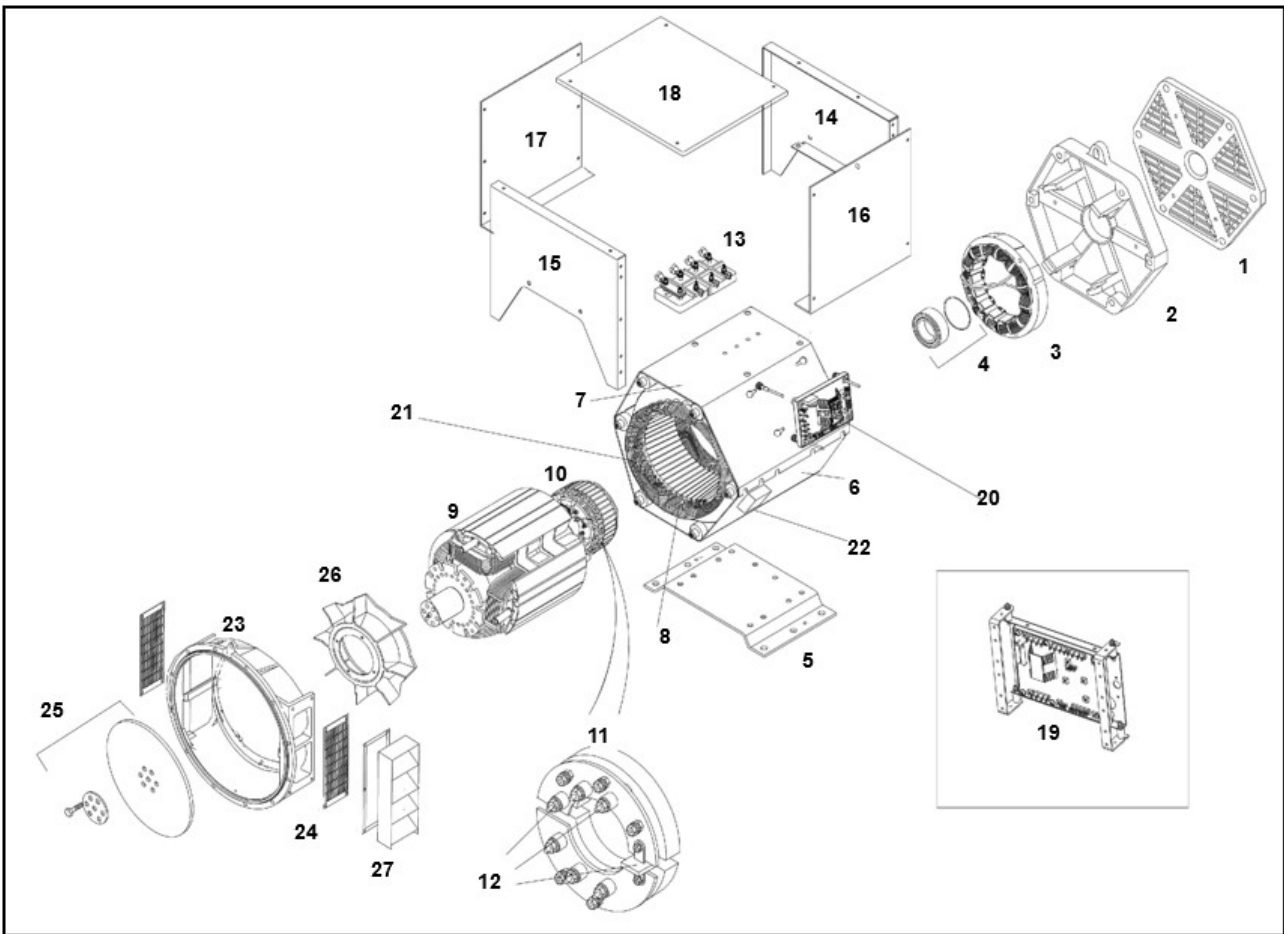


FIGURE 3. BCA162 & BCI162 1 BEARING (2 POLE) PARTS DRAWING

TABLE 2. BCA162 & BCI162 1 BEARING (2 POLE) PARTS LIST

Item	Part No.	Description	Qty
1	130-20661	NDE Cover	1
2	130-20667	NDE Bracket	1
3	130-1379	Exciter stator (20mm) D – G & N	1
	130-1380	Exciter stator (25mm) H	1
	130-1381	Exciter stator (30mm) J – I	1
4	45-0866	NDE Bearing Kit	1
5	130-20830	Foot	1
6	130-20745	Frame cover bottom D – E	1
	130-20800	Frame cover bottom F – G	1
	130-20836	Frame cover bottom J	1
	130-21385	Frame cover bottom I	1
	130-22002	Frame cover top D – E	1

Item	Part No.	Description	Qty
	130-22021	Frame cover top F- G	1
7	130-22022	Frame cover top J	1
	130-22007	Frame cover top I	1
8	QMSN	Main stator bar assembly	1
9	QMSN	Main rotor shaft assembly	1
10	130-1384	Exciter rotor (20mm) D - G & N	1
	130-1385	Exciter rotor (25mm) H	1
	130-1386	Exciter rotor (30mm) J - I	1
11	45-0427	Rectifier assembly	1
12	RSK-1101	Diode Fwd/Rev & Varistor Kit	1
13	130-22000	Main terminal panel	1
14	130-22008	NDE Terminal panel	1
15	130-22008	DE Terminal panel	1
16	130-20820	Side panel (AVR) to (30/10/05) AVM type	1
	130-20993	Side panel (AVR) from (30/10/05)	1
17	130-20819	Side panel	1
18	130-20821	Terminal box lid	1
19	45-0755	AVR Mounting assy kit (no AVR)	1
20	E000-24602/1P	AVR SX460 (standard)	1
	E000-24608/1P	AVR SX460 UL approved	1
	E000-24403/1P	AVR AS440	1
	E000-24408/1P	AVR AS440 ULapproved	1
21	45-0118	Heater 110-120v	1
	45-0117	Heater 220-260v	1
22	45-0024	Heater terminal box (for retrofit)	1
23	45-0830	DE Adaptor SAE 2	1
	45-0756	DE Adaptor SAE 3	1
	45-0723	DE Adaptor SAE 4	
	45-0813	DE Adaptor SAE 5	
	45-0725	DE Adaptor SAE 6	1
24	130-21325	DE Screen SAE 2/4/5	2
25	130-20685	DE Screen SAE 3	2
26	45-0743	Coupling Kit SAE 6.5 (for SAE 4 & 5)	1
	45-0748	Coupling Kit SAE 6.5 (for SAE 6)	1
	45-0744	Coupling Kit SAE 7.5 (for SAE 4 & 5)	1
	45-0749	Coupling Kit SAE 7.5 (for SAE 6)	1

Item	Part No.	Description	Qty
	45-0745	Coupling Kit SAE 8 (for SAE 4 & 5)	1
	45-0772	Coupling Kit SAE 8 (for SAE 3)	1
	45-0750	Coupling Kit SAE 10 (for SAE 2)	1
	45-0773	Coupling Kit SAE 10 (for SAE 3)	1
	45-0746	Coupling Kit SAE 10 (for SAE 4)	1
	45-0775	Coupling Kt SAE 11.5 (for SAE 2)	1
	45-0774	Coupling Kit SAE 11.5 (for SAE 3)	1
	45-0751	Coupling Kit lister tx 2 & 3	1
27	45-0726	Fan SAE 3 & 4	1
	45-0727	Fan SAE 5 & 6	1

-

---

This page is intentionally blank.

# 4 BCL164 & 184 A-F 1 Bearing (4 Pole)

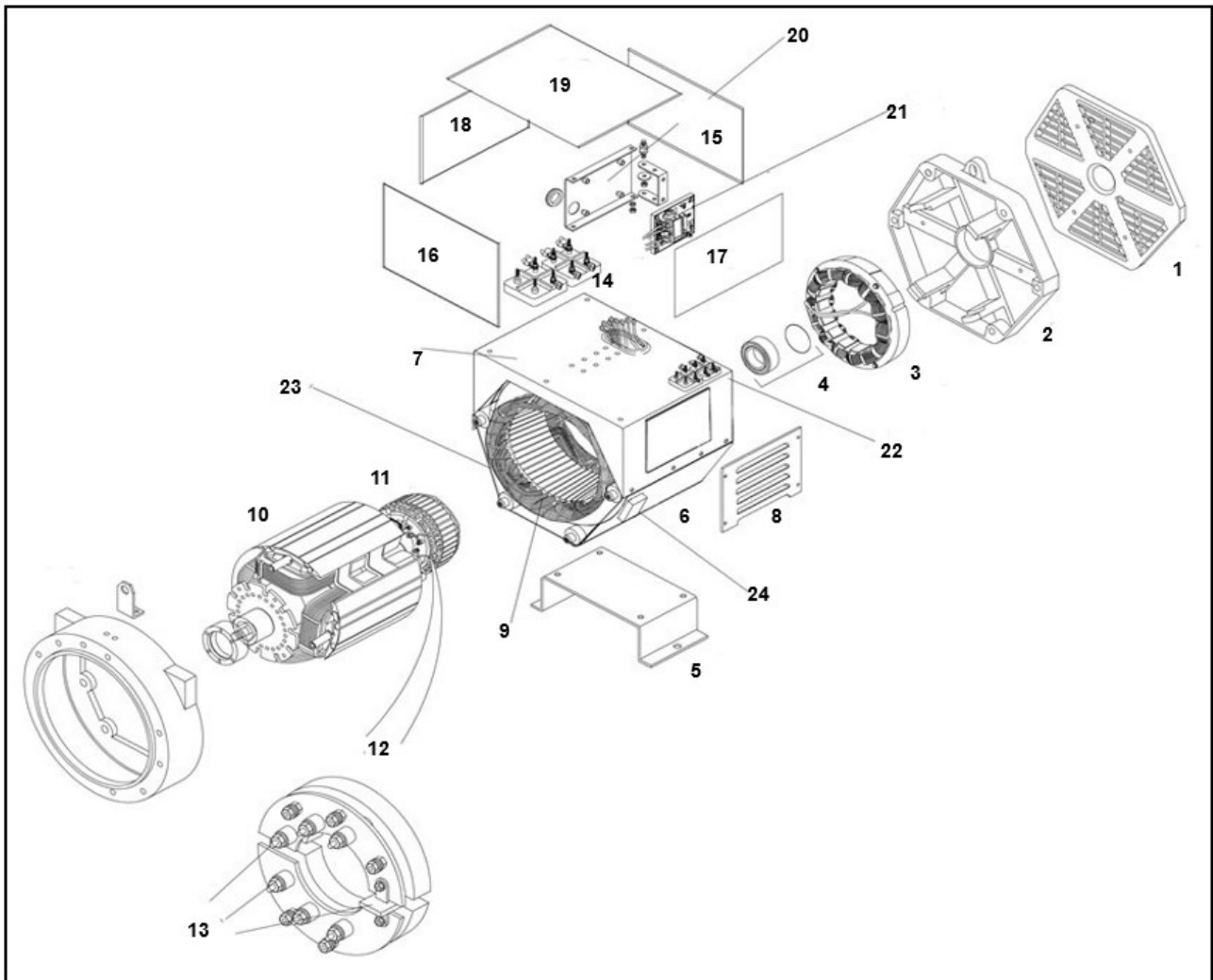


FIGURE 4. BCL164 & 184 A - F 1 BEARING (4 POLE) PARTS DRAWING

TABLE 3. BCL164 & 184 A-F 1 BEARING (4 POLE) PARTS LIST

Item	Part No.	Description	Qty
1	130-20661	NDE Louvred cover	1
2	130-20667	NDE Bracket	1
3	130-1380	Exciter stator bcl164 (25mm) A - D	1
	130-1381	Exciter stator bcl184 (30mm) E	1
	130-1383	Exciter stator bcl184 (40mm) F	1
4	45-0866	NDE Bearing kit	1
5	130-20832	Foot	1
6	130-20745	Frame cover bottom bcl164 A - B	1
	130-10834	Frame cover bottom bcl164 C - D	1
	130-20802	Frame cover bottom bcl184 E	1

Item	Part No.	Description	Qty
	130-20786	Frame cover bottom bcl184 F	1
7	130-20998	Frame cover top bcl164 A - B	1
	130-20999	Frame cover top bcl164 C - D	1
	130-21000	Frame cover top bcl184 E	1
	130-21001	Frame cover top bcl184 F	1
8	130-20318	Louvred cover	2
9	QMSN	Main stator bar assembly	1
10	QMSN	Main rotor shaft assembly	1
11	130-1385	Exciter rotor bcl164 (25mm) A - D	1
	130-1386	Exciter rotor bcl184 (30mm) E	1
	130-1388	Exciter rotor bcl184 (40mm) F	1
12	45-0427	Rectifier assembly	1
13	RSK-1101	Diode Fwd/Rev & Varistor Kit	1
14	130-22000	Main terminal panel	1
15	130-21003	NDE Terminal panel	1
16	130-21003	DE Terminal panel	1
17	130-21005	Side panel AVR	1
18	130-21004	Side panel	1
19	130-21006	Terminal box lid	1
20	45-0918	AVR Mounting assy kit (no AVR)	1
21	E000-24602/1P	AVR SX460 (standard)	1
	E000-24608/1P	AVR SX460 ULapproved	1
	E000-24403/1P	AVR AS440	1
	E000-24408/1P	AVR AS440 ULapproved	1
22	003-14046	Auxiliary Terminal Board	1
23	45-0195	Heater 110-120v	1
	45-0194	Heater 220-260v	1
24	45-0024	Heater terminal box (for retrofit)	1
25	130-20308	DE Bracket	1

# 5 BCA162 & BCI162 2 Bearing (2 Pole)

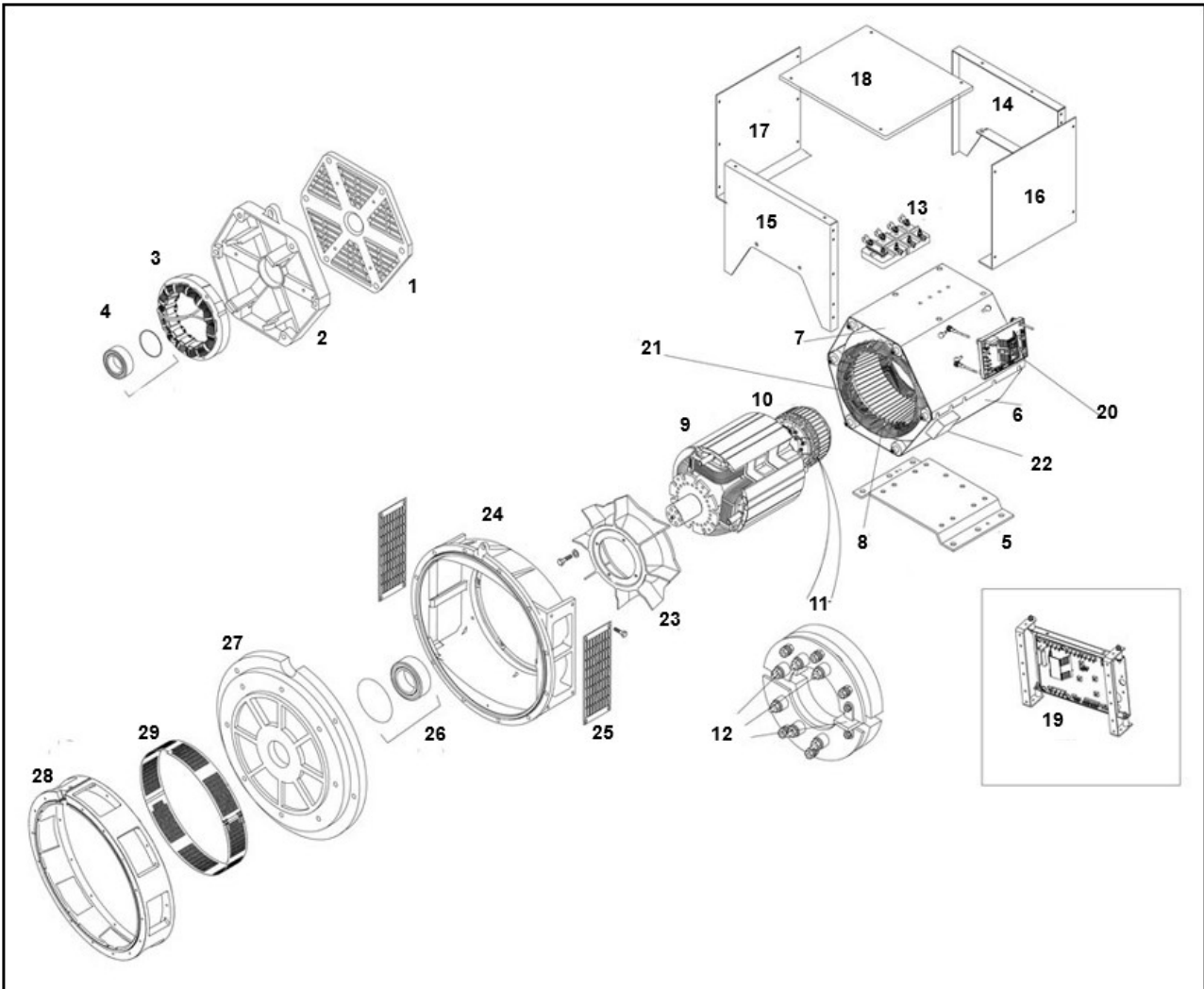


FIGURE 5. BCA162 & BCI162 2 BEARING (2 POLE) PARTS DRAWING

TABLE 4. BCA162 & BCI162 2 BEARING (2 POLE) PARTS LIST

Item	Part No.	Description	Qty
1	130-20661	NDE Cover	1
2	130-20667	NDE Bracket	1
3	130-1379	Exciter stator (20mm) D - G & N	1
	130-1380	Exciter stator (25mm) H	1
	130-1381	Exciter stator (30mm) J - I	1
4	45-0866	NDE Bearing kit	1
5	130-20830	Foot	1
6	130-20745	Frame cover bottom D - E	1
	130-20800	Frame cover bottom F - G	2
	130-20836	Frame cover bottom J	1

Item	Part No.	Description	Qty
	130-21385	Frame cover bottom I	1
7	130-22002	Frame cover top D - E	1
	130-22021	Frame cover top F- G	1
	130-22022	Frame cover top J	1
	130-22007	Frame cover top I	1
8	QMSN	Main stator bar assembly	1
9	QMSN	Main rotor shaft assembly	1
10	130-1384	Exciter rotor (20mm) D - G & N	1
	130-1385	Exciter rotor (25mm) H	2
	130-1386	Exciter rotor (30mm) J - I	1
11	45-0427	Rectifier assembly	1
12	RSK-1101	Diode Fwd/Rev & Varistor Kit	1
13	130-22000	Main terminal panel	1
14	130-22008	NDE Terminal panel	1
15	130-22008	DE Terminal panel	1
16	130-20820	Side panel (AVR) to (30/10/05) AVM type	1
	130-20993	Side panel (AVR) from (30/10/05)	1
17	130-20819	Side panel	1
18	130-20821	Terminal box lid	1
19	45-0755	AVR Mounting assy Kit (no AVR)	1
20	E000-24602/1P	AVR SX460 (standard)	1
	E000-24608/1P	AVR SX460 UL approved	1
	E000-24403/1P	AVR AS440	1
	E000-24408/1P	AVR AS440 UL approved	2
21	45-0118	Heater 110-120v	1
	45-0117	Heater 220-260v	1
22	45-0024	Heater terminal box (for retrofit)	1
23	45-0727	Fan SAE 5 & 6	1
24	130-21602	DE Adaptor bracket SAE 5	1
25	130-21325	DE Screen	
26	45-0363	DE Bearing Kit	
27	130-20773	DE Endbracket	1
28	45-0719	Adaptor Kit SAE 2	1
	45-0619	Adaptor Kit SAE 3	1
	45-0620	Adaptor Kit SAE 4	1
	45-0621	Adaptor Kit SAE 5	1



---

<b>Item</b>	<b>Part No.</b>	<b>Description</b>	<b>Qty</b>
29	SEE ITEM 28	Adaptor screen included in adaptor kit	1

-

---

This page is intentionally blank.

# 6 BCA164 & BCI164 1 Bearing (4 Pole)

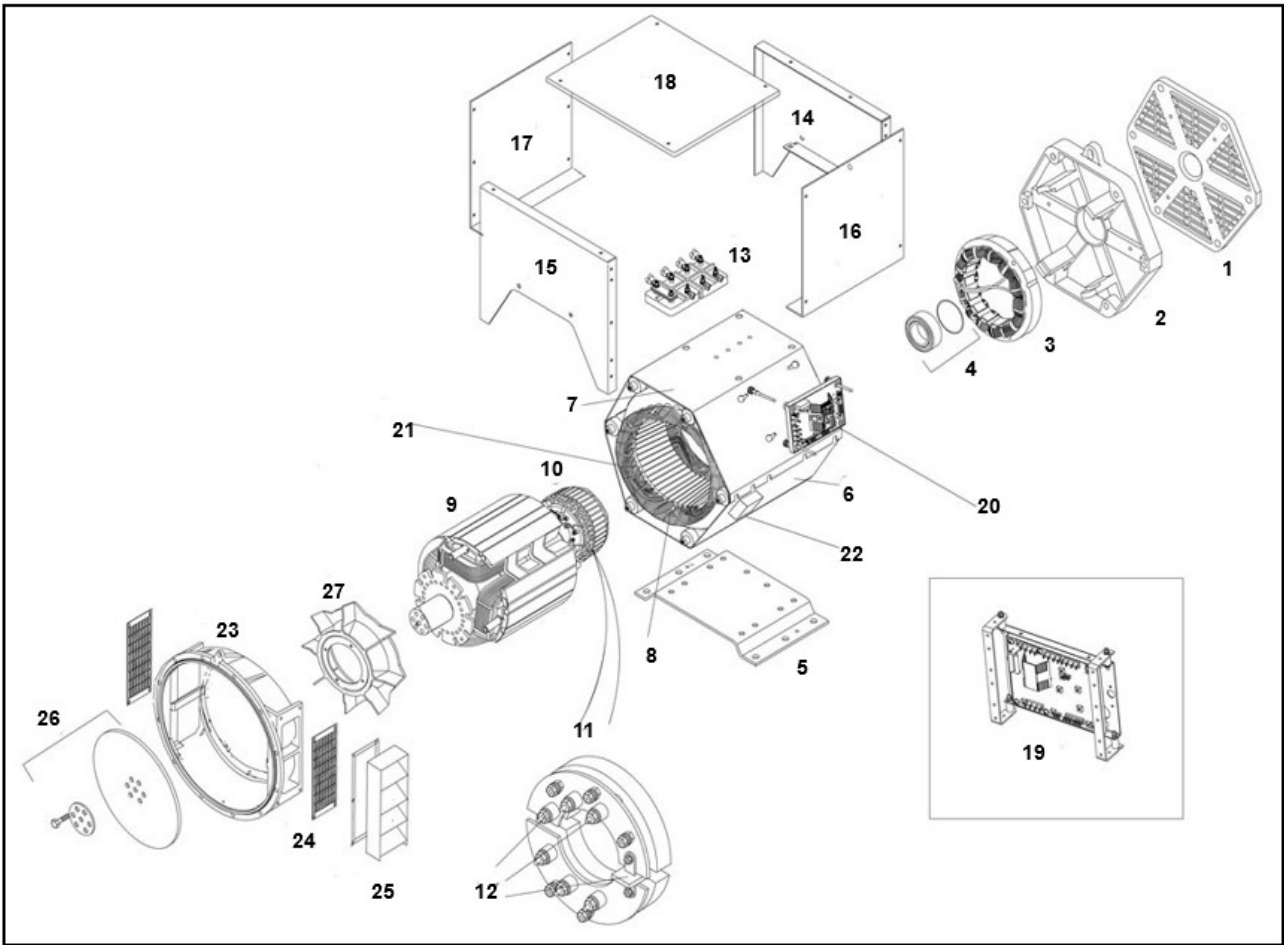


FIGURE 6. BCA164 & BCI164 1 BEARING (4 POLE) PARTS DRAWING

TABLE 5. BCA164 & BCI164 1 BEARING (4 POLE) PARTS LIST

Item	Part No.	Description	Qty
1	130-20661	NDE Cover	1
2	130-20667	NDE Bracket	1
3	130-1380	Exciter stator (25mm) A -D	1
	130-1381	Exciter stator (30mm) E	1
4	45-0866	NDE Bearing Kit	1
5	130-20830	Foot	1
6	130-20745	Frame cover bottom A - B	1
	130-20834	Frame cover bottom C - D	1
	130-20802	Frame cover bottom E	1
	130-20786	Frame cover bottom F - G	1
7	130-20998	Frame cover top A - B	1
	130-20999	Frame cover top C - D	1

Item	Part No.	Description	Qty
	130-21000	Frame cover top E	1
	130-21001	Frame cover top F	1
8	QMSN	Main stator bar assembly	1
9	QMSN	Main rotor shaft assembly	1
10	130-1385	Exciter rotor (25mm) A – D	1
	130-1386	Exciter rotor (30mm) E	1
11	45-0427	Rectifier assembly	2
12	RSK-1101	Diode Fwd/Rev & Varistor Kit	1
13	130-22000	Main terminal panel	1
14	130-22008	NDE Terminal panel	1
15	130-22008	DE Terminal panel	1
16	130-20820	Side panel (AVR) to (30/10/05) avm type	1
	130-20993	Side panel (AVR) from (30/10/05)	1
17	130-20819	Side panel	1
18	130-20821	Terminal box lid	1
19	45-0755	AVR Mounting assy kit (no AVR)	1
20	E000-24602/1P	AVR SX460 (standard)	1
	E000-24608/1P	AVR SX460 UL approved	1
	E000-24403/1P	AVR AS440	1
	E000-24408/1P	AVR AS440 UL approved	1
21	45-0118	Heater 110-120v	1
	45-0117	Heater 220-260v	1
22	45-0024	Heater terminal box (for retrofit)	1
23	45-0830	DE Adaptor SAE 2	1
	45-0756	DE Adaptor SAE 3	1
	45-0723	DE Adaptor SAE 4	1
	45-0813	DE Adaptor SAE 5	1
	45-0725	DE Adaptor SAE 6	1
24	130-21325	DE Screen SAE 2/4/5	2
25	130-20685	DE Screen SAE 3	2
26	45-0743	Coupling Kit SAE 6.5 (for SAE 4 & 5)	1
	45-0748	Coupling Kit SAE 6.5 (for SAE 6)	1
	45-0744	Coupling Kit SAE 7.5 (for SAE 4 & 5)	1
	45-0749	Coupling Kit SAE 7.5 (for SAE 6)	1
	45-0745	Coupling Kit SAE 8 (for SAE 4 & 5)	1
	45-0772	Coupling Kit SAE 8 (for SAE 3)	1

Item	Part No.	Description	Qty
	45-0750	Coupling Kit SAE10 (for SAE2)	1
	45-0773	Coupling Kit SAE 10 (for SAE 3)	1
	45-0746	Coupling Kit SAE 10 (for SAE 4)	1
	45-0775	Coupling Kit SAE 11.5 (for SAE 2)	1
	45-0774	Coupling Kit SAE 11.5 (for SAE 3)	1
	45-0751	Coupling Kit lister tx 2 & 3	1
	45-0857	Coupling Kit (light fly wheel)	1
27	45-0726	Fan SAE 3 & 4	1
	45-0727	Fan SAE 5 & 6	1

-

---

This page is intentionally blank.

# 7 BCA182 & BCI182 H TO K 1 Bearing (2 Pole)

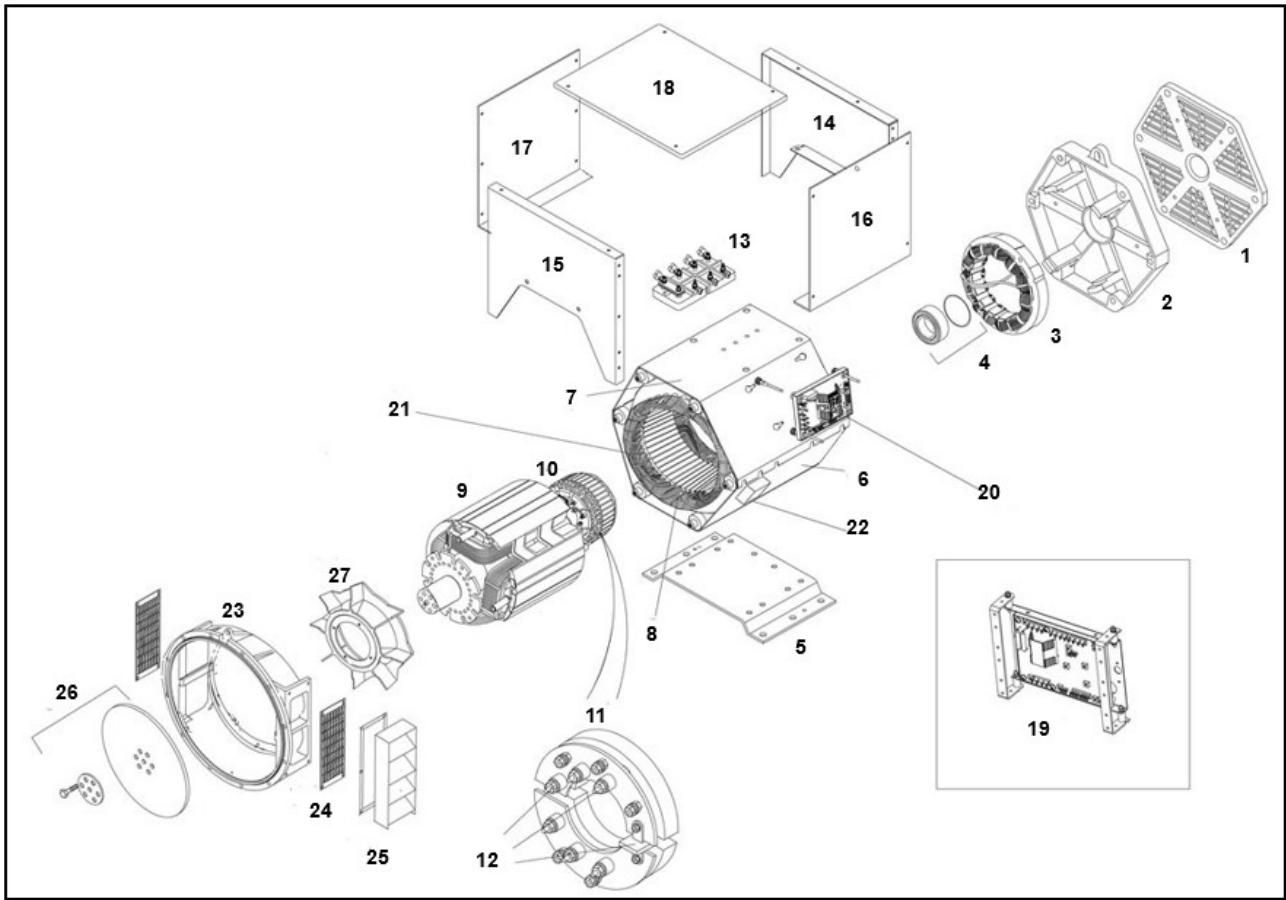


FIGURE 7. BCA182 & BCI182 H TO K 1 BEARING (2 POLE) PARTS DRAWING

TABLE 6. BCA182 & BCI182 H TO K 1 BEARING (2 POLE) PARTS LIST

Item	Part No.	Description	Qty
1	130-20661	NDE Cover	1
2	130-20667	NDE Bracket	1
3	130-1380	Exciter stator (25mm) H	1
	130-1381	Exciter stator (30mm) J - I	1
4	45-0866	NDE Bearing kit	1
5	130-20831	Foot	1
6	130-20836	Frame cover bottom H	1
	130-20786	Frame cover bottom K	1
7	130-22022	Frame cover top H	2
	130-22005	Frame cover top K	1
8	QMSN	Main stator bar assembly	1
9	QMSN	Main rotor shaft assembly	1

Item	Part No.	Description	Qty
10	130-1385	Exciter rotor (25mm) H	1
	130-1386	Exciter rotor (30mm) J - I	1
11	45-0427	Rectifier assembly	1
12	RSK-1101	Diode Fwd/Rev & Varistor Kit	1
13	130-22000	Main terminal panel	1
14	130-22008	NDE Terminal panel	1
15	130-22008	DE Terminal panel	2
16	130-20820	Side panel (AVR) to (30/10/05) AVM type	1
	130-20993	Side panel (AVR) from (30/10/05)	1
17	130-20819	Side panel	1
18	130-20821	Terminal box lid	1
19	45-0755	AVR Mounting assy kit (no AVR)	1
20	E000-24602/1P	AVR SX460 (standard)	1
	E000-24608/1P	AVR SX460 UL approved	1
	E000-24403/1P	AVR AS440	1
	E000-24408/1P	AVR AS440 UL approved	1
21	45-0118	Heater 110-120v	1
	45-0117	Heater 220-260v	1
22	45-0024	Heater terminal box (for retrofit)	1
23	45-0830	DE Adaptor SAE 2	1
	45-0756	DE Adaptor SAE 3	1
	45-0723	DE Adaptor SAE 4	1
	45-0813	DE Adaptor SAE 5	1
	45-0725	DE Adaptor SAE 6	1
24	130-21325	DE Screen SAE 2/4/5	2
25	130-20685	DE Screen SAE 3	2
26	45-0743	Coupling Kit SAE 6.5 (for SAE 4 & 5)	1
	45-0748	Coupling Kit SAE 6.5 (for SAE 6)	1
	45-0744	Coupling Kit SAE 7.5 (for SAE 4 & 5)	1
	45-0749	Coupling Kit SAE 7.5 (for SAE 6)	1
	45-0745	Coupling Kit SAE 8 (for SAE 4 & 5)	1
	45-0772	Coupling Kit SAE 8 (for SAE 3)	1
	45-0750	Coupling Kit SAE 10 (for SAE 2)	1
	45-0773	Coupling Kit SAE 10 (for SAE 3)	1
	45-0746	Coupling Kit SAE 10 (for SAE 4)	1
	45-0775	Coupling Kit SAE 11.5 (for SAE 2)	1



---

<b>Item</b>	<b>Part No.</b>	<b>Description</b>	<b>Qty</b>
	45-0774	Coupling Kit SAE 11.5 (for SAE 3)	1
	45-0751	Coupling Kit lister tx 2 & 3	1
27	45-0726	Fan (SAE 3 & 4)	1
	45-0727	Fan (SAE 5 & 6)	1

-

---

This page is intentionally blank.

# 8 BCA182 & BCI182 H TO K 2 Bearing (2 Pole)

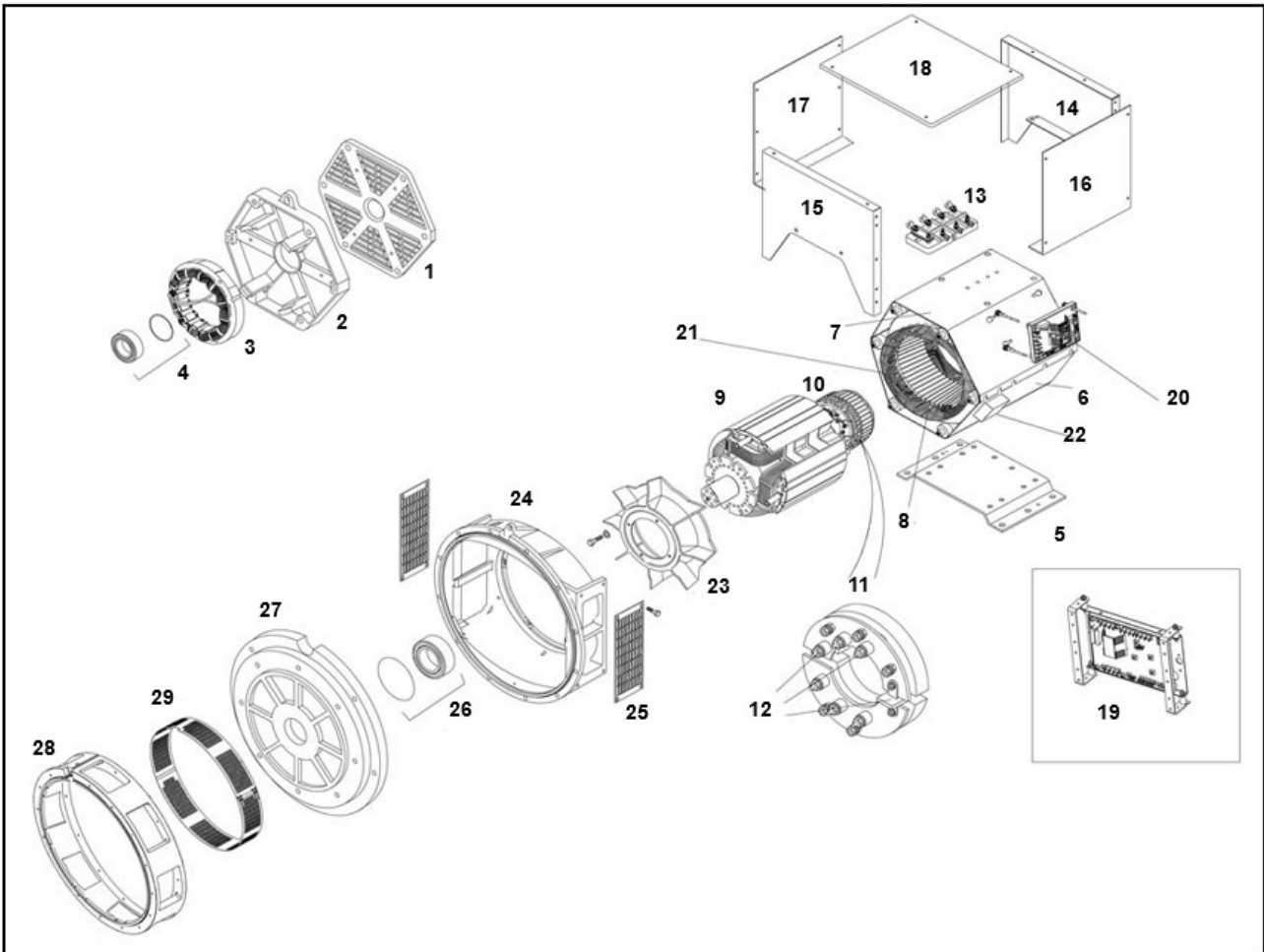


FIGURE 8. BCA182 & BCI182 H TO K 2 BEARING (2 POLE) PARTS DRAWING

TABLE 7. BCA182 & BCI182 H TO K 2 BEARING (2 POLE) PARTS LIST

Item	Part No.	Description	Qty
1	130-20661	NDE Cover	1
2	130-20667	NDE Bracket	1
3	130-1380	Exciter stator (25mm) H	1
	130-1381	Exciter stator (30mm) J- I	1
4	45-0866	NDE Bearing kit	1
5	130-20831	Foot	1
6	130-20836	Frame cover bottom H	1
	130-20786	Frame cover bottom K	1
7	130-22022	Frame cover top H	1
	130-22005	Frame cover top K	1

Item	Part No.	Description	Qty
8	QMSN	Main stator bar assembly	1
9	QMSN	Main rotor shaft assembly	1
10	130-1385	Exciter rotor (25mm) H	1
	130-1386	Exciter rotor (30mm)j - l	1
11	45-0427	Rectifier assembly	1
12	RSK-1101	Diode Fwd/Rev & Varistor Kit	1
13	130-22000	Main terminal panel	1
14	130-22008	NDE Terminal panel	1
15	130-22008	NDE Terminal panel	1
16	130-20820	Side panel (A,V.R.) to (30/10/05) AVM type	1
	130-20993	Side panel (A,V.R.) from (30/10/05)	1
17	130-20819	Side panel	1
18	130-20821	Terminal box lid	1
19	45-0755	AVR Mounting assy kit (no AVR)	1
20	E000-24602/1P	AVR SX460 (standard)	1
	E000-24608/1P	AVR SX460 UL approved	1
	E000-24403/1P	AVR AS440	1
	E000-24408/1P	AVR AS440 UL approved	1
21	45-0118	Heater 110-120v	1
	45-0117	Heater 220-260v	1
22	45-0024	Heater terminal box (for retrofit)	1
23	45-0726	Fan SAE 3 & 4	1
24	130-20928	DE Adaptor bracket SAE 4	1
25	130-21325	DE Screen	2
26	45-0363	DE Bearing kit	1
27	130-20774	DE Endbracket	1
28	45-0719	Adaptor Kit SAE 2	1
	45-0619	Adaptor Kit SAE 3	1
	45-0620	Adaptor Kit SAE 4	1
	45-0621	Adaptor Kit SAE 5	1
29	SEE ITEM 28	Adaptor screen included in Adaptor kit	1

# 9 BCI184 1 Bearing (4 Pole)

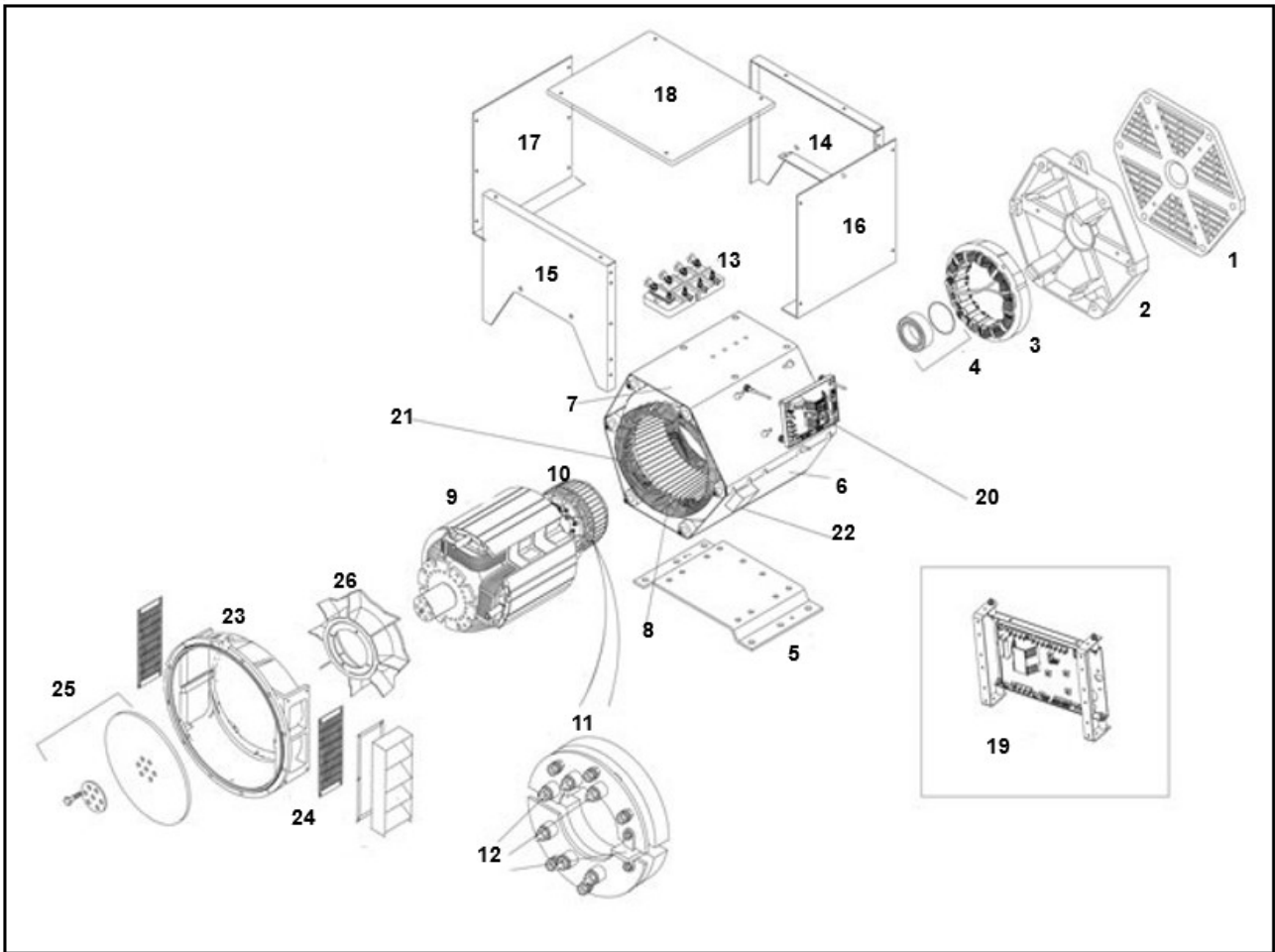


FIGURE 9. BCI184 1 BEARING (4 POLE) PARTS DRAWING

TABLE 8. BCI184 1 BEARING (4 POLE) PARTS LIST

Item	Part No.	Description	Qty
1	130-20661	NDE Cover	1
2	130-20667	NDE Bracket	1
3	130-1381	Exciter stator (30mm) E	1
	130-1383	Exciter stator (40mm) F - G	1
	130-1801	Exciter stator H-J core only	1
4	45-0866	NDE Bearing kit	1
5	130-20831	Foot	1
6	130-20802	Frame cover bottom E	1
	130-20786	Frame cover bottom F - G	2
7	130-22004	Frame cover top E	1
	130-22005	Frame cover top F - G	1
8	QMSN	Main stator bar assembly	1

Item	Part No.	Description	Qty
9	QMSN	Main rotor shaft assembly	1
10	130-1386	Exciter rotor (30mm) E	1
	130-1388	Exciter rotor (40mm) F - G	1
	130-1800	Exciter rotor H-J core only	1
11	45-0427	Rectifier assembly	1
12	RSK-1101	Diode Fwd/Rev & Varistor Kit	1
13	130-22000	Main terminal panel from (30/10/05)	2
14	130-22008	NDE Terminal panel	1
15	130-22008	DE Terminal panel	1
16	130-20820	Side panel (AVR) to 30/10/05	1
	130-20993	Side panel (AVR) from 30/10/05	1
	130-22011	Side panel (AVR) H - J core	1
17	130-20819	Side panel	1
	130-21627	Side panel H - J core	1
18	130-20821	Terminal box lid	1
	130-21628	Terminal box lid H - J core	1
19	45-0755	AVR Mounting assy kit (no AVR)	1
20	E000-24602/1P	AVR SX460 (standard)	1
	E000-24608/1P	AVR SX460 ULapproved	1
	E000-24403/1P	AVR AS440	1
	E000-24408/1P	AVR AS440 ULapproved	1
21	45-0195	Heater 110-120v	2
	45-0194	Heater 220-260v	1
22	45-0024	Heater terminal box (for retrofit)	1
23	45-0830	DE Adaptor SAE 2	1
	45-0756	DE Adaptor SAE 3	1
	45-0723	DE Adaptor SAE 4	1
	45-0813	DE Adaptor SAE 5	1
	45-0725	DE Adaptor SAE 6	1
	45-0527	Adaptor SAE3 - H-J core only	1
24	130-21325	DE Screen SAE2/4/5	1
	130-20685	DE Screen SAE 3	1
25	45-0743	Coupling Kit SAE 6.5 (for SAE 4 & 5)	1
	45-0748	Coupling Kit SAE 6.5 (for SAE 6)	1
	45-0744	Coupling Kit SAE 7.5 (for SAE 4 & 5)	1
	45-0749	Coupling Kit SAE 7.5 (for SAE 6)	1

Item	Part No.	Description	Qty
	45-0745	Coupling Kit SAE 8 (for SAE 4 & 5)	1
	45-0772	Coupling Kit SAE 8 (for SAE 3)	1
	45-0750	Coupling Kit SAE10 (for SAE 2)	1
	45-0773	Coupling Kit SAE 10 (for SAE 3)	2
	45-0746	Coupling Kit SAE 10 (for SAE 4)	1
	45-0775	Coupling Kit SAE 11.5 (for SAE 2)	1
	45-0774	Coupling Kit SAE 11.5 (for SAE 3)	1
	45-0751	Coupling Kit lister tx 2 & 3	1
26	45-0726	Fan (SAE 3 & 4)	1
	45-0727	Fan (SAE 5 & 6)	1

-

---

This page is intentionally blank.



# 10 BCI184 2 Bearing (4 Pole)

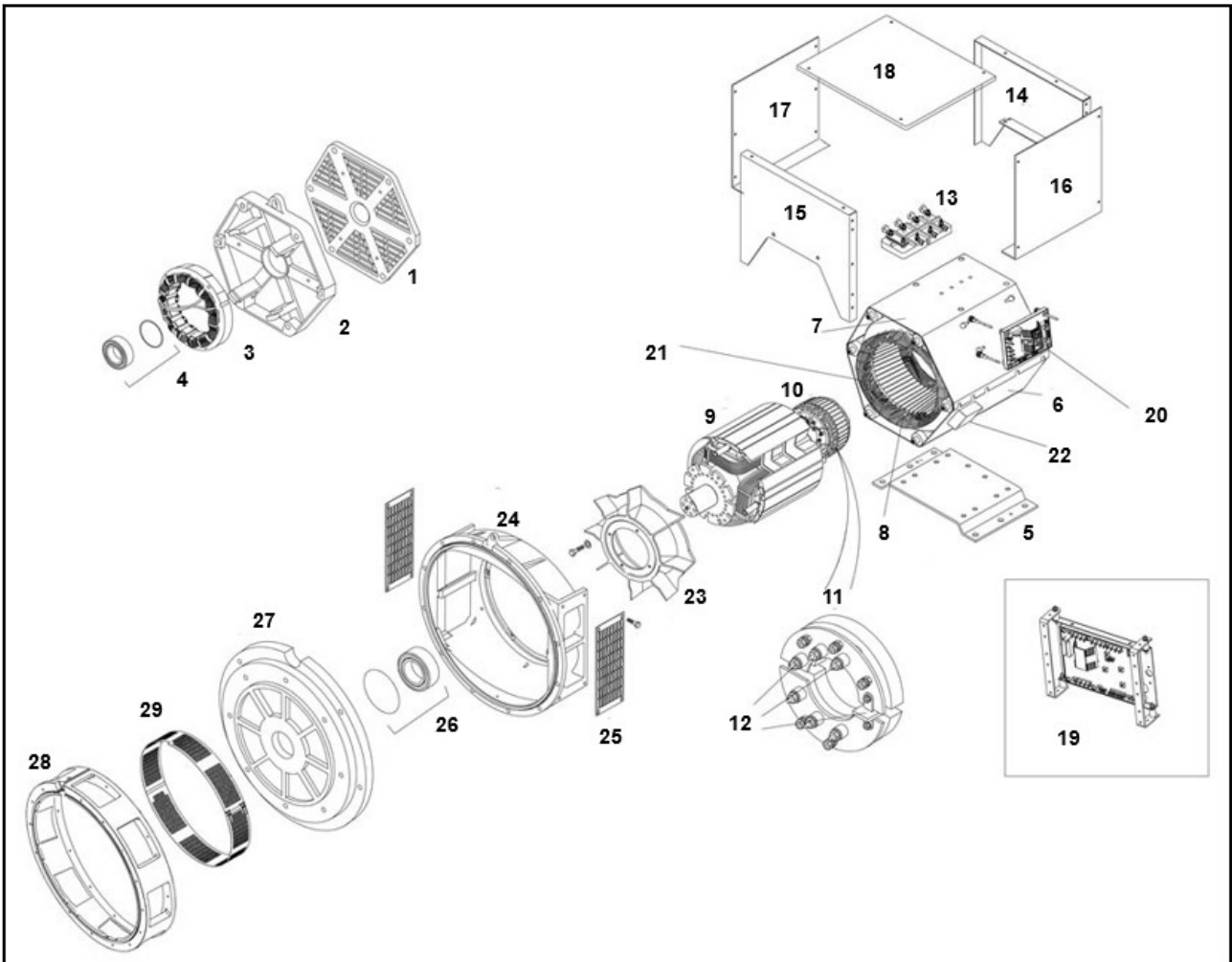


FIGURE 10. BCI184 2 BEARING (4 POLE) PARTS DRAWING

TABLE 9. BCI184 2 BEARING (4 POLE) PARTS LIST

Item	Part No.	Description	Qty
1	130-20661	NDE Cover	1
2	130-20667	NDE Bracket	1
3	130-1381	Exciter stator (30mm) E	1
	130-1383	Exciter stator (40mm) F- G	1
	130-1801	Exciter stator H-J core only	1
4	45-0866	NDE Bearing kit	1
5	130-20832	Foot	1
6	130-20802	Frame cover bottom E	1
	130-20786	Frame cover bottom F - G	1
7	130-22004	Frame cover top E	1
	130-22005	Frame cover top F - G	1

Item	Part No.	Description	Qty
8	QMSN	Main stator bar assembly	1
9	QMSN	Main rotor shaft assembly	1
10	130-1386	Exciter rotor (30mm) E	1
	130-1388	Exciter rotor (40mm) F - G	1
	130-1800	Exciter rotor H-J core only	1
11	45-0427	Rectifier assembly	1
12	RSK-1101	Diode Fwd/Rev & Varistor Kit	1
13	130-20916	Main terminal panel to (30/10/05)	2
	130-22000	Main terminal panel from (30/10/05)	1
14	130-22008	NDE Terminal panel	1
15	130-22008	DE Terminal panel	1
16	130-20820	Side panel (AVR) to 30/10/05	1
	130-20993	Side panel (AVR) from 30/10/05	1
	130-22011	Side panel ( AVR) H - J core	1
17	130-20819	Side panel	1
	130-21627	Side panel H - J core	1
18	130-20821	Terminal box lid	1
	130-21628	Terminal box lid H - J core	1
19	45-0755	AVR Mounting assy kit (no AVR)	1
20	E000-24602/1P	AVR SX460 (standard)	1
	E000-24608/1P	AVR SX460 UL approved	1
	E000-24403/1P	AVR AS440	1
	E000-24408/1P	AVR AS440 UL approved	1
21	45-0195	Heater 110-120v	1
	45-0194	Heater 220-260v	1
22	45-0024	Heater terminal box (for retrofit)	1
23	45-0726	Fan SAE 3 & 4	1
24	130-20928	DE Adaptor bracket SAE 4	1
25	130-21325	DE Screen	2
26	45-0363	DE Bearing kit	1
27	130-20774	DE Endbracket	1
28	45-0719	Adaptor Kit SAE 2	1
	45-0619	Adaptor Kit SAE 3	1
	45-0620	Adaptor Kit SAE 4	1
	45-0621	Adaptor Kit SAE 5	1
29	SEE ITEM 28	Adaptor screen included in adaptor kit	1

# 11 HC734E to H 1 Bearing (Ser 3)

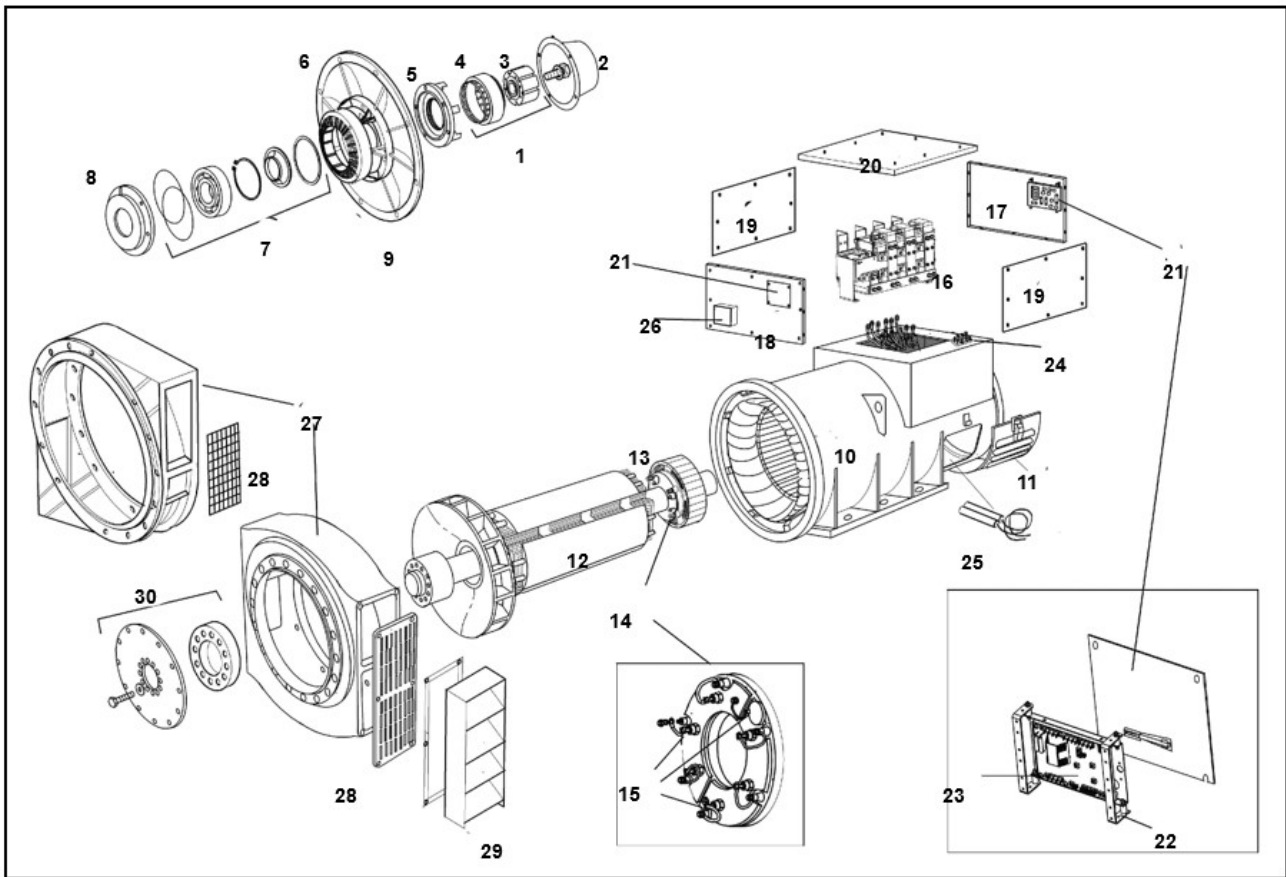


FIGURE 11. HC734E TO H 1 BEARING (SER 3) PARTS DRAWING

TABLE 10. HC734E TO H 1 BEARING (SER 3) PARTS LIST

Item	Part No.	Description	Qty
1	45-0119A	Complete PMG upfit kit (Current and Pre Nov 98)	1
	45-0397A	Complete PMG upfit kit from (11/98) to 01/01)	1
2	760-10562	PMG Cover (Cover included in above kit)	1
3	45-1082	Current PMG rotor/stator repair kit	1
4	45-1082	Current PMG rotor/stator repair kit	1
5	730-10235	NDE Bearing cap to (11/98)	1
	760-10550	NDE Bearing cap from (11/98 to 11/2000)	1
	760-10823	NDE Bearing cap from ( 11/2000)	1
6	760-10122	NDE Bracket G -H (to 3/07/99)	1
	760-10121	NDE Bracket E - F (G & H from 4/07/99)	1
7	45-0301	NDE Bearing Kit (REGREASE) to (11/2000)	1
	45-0336	NDE Bearing Kit (REGREASE) from (11/2000)	1
8	730-10233	NDE Bearing cartridge to (11/98)	1

Item	Part No.	Description	Qty
	760-10568	NDE Bearing cartridge from (11/98 to 11/2000)	1
	760-10821	NDE Bearing cartridge from (11/2000)	1
9	366-40800	Exciter stator 75mm	1
	A052D957	Exciter stator 75mm Severe Environmental	1
10	QMSN	Main stator frame assy	1
11	366-21200	NDE Air inlet cover	1
12	QMSN	Main rotor assy	1
13	760-1009	Exciter rotor 75mm	1
14	450-16025	Rotating rectifier assy	1
15	RSK-6001	Diode fwd/rev & varistor kit	1
16	QMSN	Main terminal board	1
17	760-10665	Terminal box endpanel NDE	1
18	760-10664	Terminal box endpanel DE	1
19	760-10662	Terminal box side panel	2
20	760-10663	Terminal box lid	1
21	450-15254	AVR Cover plate (access)	1
	450-14310	AVR Cover plate (blanking)	1
22	45-0742	AVR Mounting bracket	1
23	E000-23212/1P	AVR MX321	1
	E000-23215/1P	AVR MX321 UL	1
	A062Y338	AVR MX322	1
	A060B914	AVR DECS-150	1
24	003-14046	Auxiliary terminal board	2
25	45-0324	Heater Kit 110-125 volt	1
	A053M969	Heater Kit 110-125 volt UL Cert	1
	A051Y955	Heater Kit 110-125v to incl term box for retro	1
	A053X258	Heater Kit 110-125v to incl term box for retro UL Cert	1
	45-0325	Heater Kit 220-260 volt	1
	A053N003	Heater Kit 220-260 volt UL Cert	1
	A040G626	Heater Kit 220-260v to incl term box for retro	1
	A053X260	Heater Kit 220-260v to incl term box for retro UL Cert	1
26	45-0024	Terminal box for heaters	1
27	45-0674	DE Adaptor Kit SAE 0	1
	45-1012	DE Adaptor Kit SAE 00	1
28	760-10178	DE Screen (Included in Adaptor Kits)	1
29	45-0661	DE Louvre SAE 0	2

---

<b>Item</b>	<b>Part No.</b>	<b>Description</b>	<b>Qty</b>
	45-0660	DE Louvre SAE 00	1
30	45-0792	Coupling Kit SAE 18	1
	45-0793	Coupling Kit SAE 21	1
	45-0794	Coupling Kit SAE 24	1

-

---

This page is intentionally blank.

# 12 HC734E to H 2 Bearing (Ser 3)

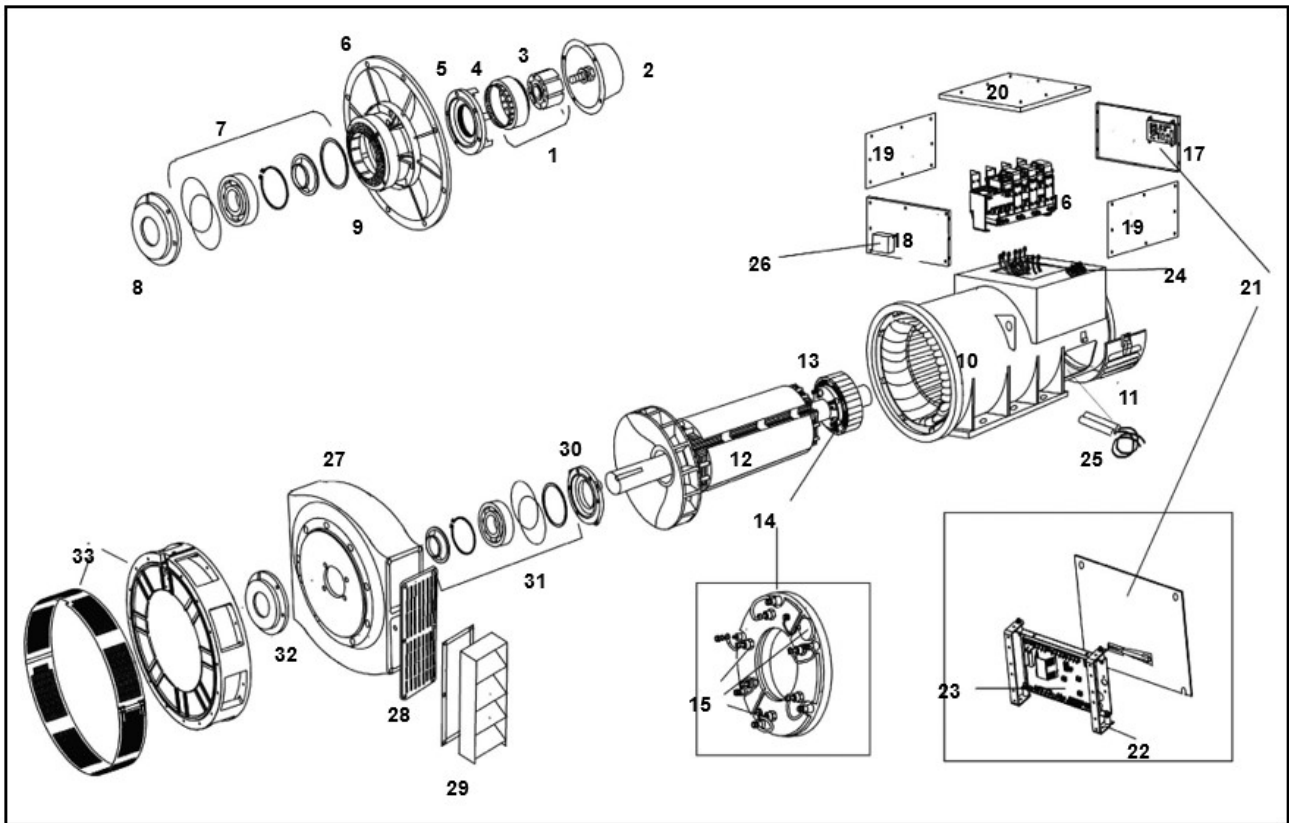


FIGURE 12. HC734E TO H 2 BEARING (SER 3) PARTS DRAWING

TABLE 11. HC734E TO H 2 BEARING (SER 3) PARTS LIST

Item	Part No.	Description	Qty
1	45-0119A	Complete PMG upfit kit (Current and Pre Nov 98)	1
	45-0397A	Complete PMG upfit kit from (11/98) to 01/01 Obsolete	1
2	760-10562	PMG Cover (Cover included in above kit)	1
3	45-1082	Current PMG rotor/stator repair kit	1
4	45-1082	Current PMG rotor/stator repair kit	1
5	730-10235	NDE Bearing cap to (11/98)	1
	760-10550	NDE Bearing cap from (11/98 to 11/2000)	1
	760-10823	NDE Bearing cap from ( 11/2000)	1
6	760-10122	NDE Bracket G -H (to 3/07/99)	1
	760-10121	NDE Bracket E - F (G & H from 4/07/99)	1
7	45-0300	NDE Bearing Kit (REGREASE) to (11/2000)	1
	45-0336	NDE Bearing Kit (REGREASE) from (11/2000)	1
8	730-10233	NDE Bearing cartridge to (11/98)	1
	760-10551	NDE Bearing cartridge from (11/98 to 11/2000)	1

Item	Part No.	Description	Qty
	760-10821	NDE Bearing cartridge from (11/2000)	1
9	366-40800	Exciter stator 75mm	1
	A052D957	Exciter stator 75mm Severe Environmental	1
10	QMSN	Main stator frame assy	1
11	366-21200	NDE Air inlet cover	1
12	QMSN	Main rotor assy	1
13	760-1009	Exciter rotor 75mm	1
14	450-16025	Rotating rectifier assy	1
15	RSK-6001	Diode fwd/rev & varistor kit	1
16	QMSN	Main terminal board	1
17	760-10665	Terminal box endpanel N.D.E	1
18	760-10664	Terminal box endpanel DE	1
19	760-10662	Terminal box side panel	2
20	760-10663	Terminal box lid	1
21	450-15254	AVR Cover plate (access)	1
	450-14310	AVR Cover plate (blanking)	1
22	45-0742	AVR Mounting bracket	1
23	E000-23212/1P	AVR MX321	1
	E000-23215/1P	AVR MX321 UL	1
	A062Y338	AVR MX322	1
	A060B914	AVR DECS-150	1
24	003-14046	Auxiliary terminal board	2
25	45-0324	Heater Kit 110-125 volt	1
	A053M969	Heater Kit 110-125 volt	1
	A051Y955	Heater Kit 110-125v to incl term box for retro	1
	A053X258	Heater Kit 110-125v to incl term box for retro UL Cert	1
	45-0325	Heater Kit 220-260 volt	1
	A053N003	Heater Kit 220-260 volt UL Cert	1
	A040G626	Heater Kit 220-260v to incl term box for retro	1
	A053X260	Heater Kit 220-260v to incl term box for retro UL Cert	1
26	45-0024	Terminal box for heaters	1
27	760-10171	DE Bracket	1
28	760-10177	DE Bracket screen	2
29	45-0662	DE Louvre	1
30	366-13490	DE Bearing cartridge to (11/98)	2
	760-10552	DE Bearing cartridge from (11/98 TO 11/2000)	1



Item	Part No.	Description	Qty
	760-10829	DE Bearing cartridge from (11/2000)	1
31	45-0298	DE Bearing Kit (REGREASE) to (11/2000)	1
	45-0335	DE Bearing Kit (REGREASE) from (11/2000)	1
32	760-10165	DE Bearing cap outer to (11/98)	1
	760-10553	DE Bearing cap outer from (11/98 to 11/2000)	1
	760-10831	DE Bearing cap outer from (11/2000)	1
33	45-0716	2 Brg Adaptor Kit SAE 0	1
	45-0715	2 Brg Adaptor Kit SAE 00	1
34	Included in 33	DE Cover screen (Included in Kits)	1

-

---

This page is intentionally blank.



Item	Part No.	Description	Qty
12	QMSN	Main rotor assy	1
13	800-1024	Exciter rotor	1
14	810-1015	Rectifier assy	1
15	RSK-6001	Diode Fwd/Rev & Varistor Kit	1
16	QMSN	Complete terminal box assy	1
17	45-0324	Heater Kit	2
18	800-10442	Fan clockwise rotation	1
	800-10447	Fan anti-clockwise rotation	1
19	45-1147	Adaptor Kit SAE 0 C D & E	1
	45-1148	Adaptor Kit SAE 00 C D & E	1
	45-1149	Adaptor Kit MHI	1
20	QMSN	Adaptor screen (included in adaptor kits)	2
21	800-10607	Drip proof cover	2
22	45-1144	Coupling Kit SAE 18	1
	45-1145	Coupling Kit SAE 21	1
	45-1146	Coupling Kit SAE 24	1
23	45-1150	Louvre	1
	E000-13300	AVR MA330 (not shown)	1

# 14 Frame 8 Mk2 2 Bearing

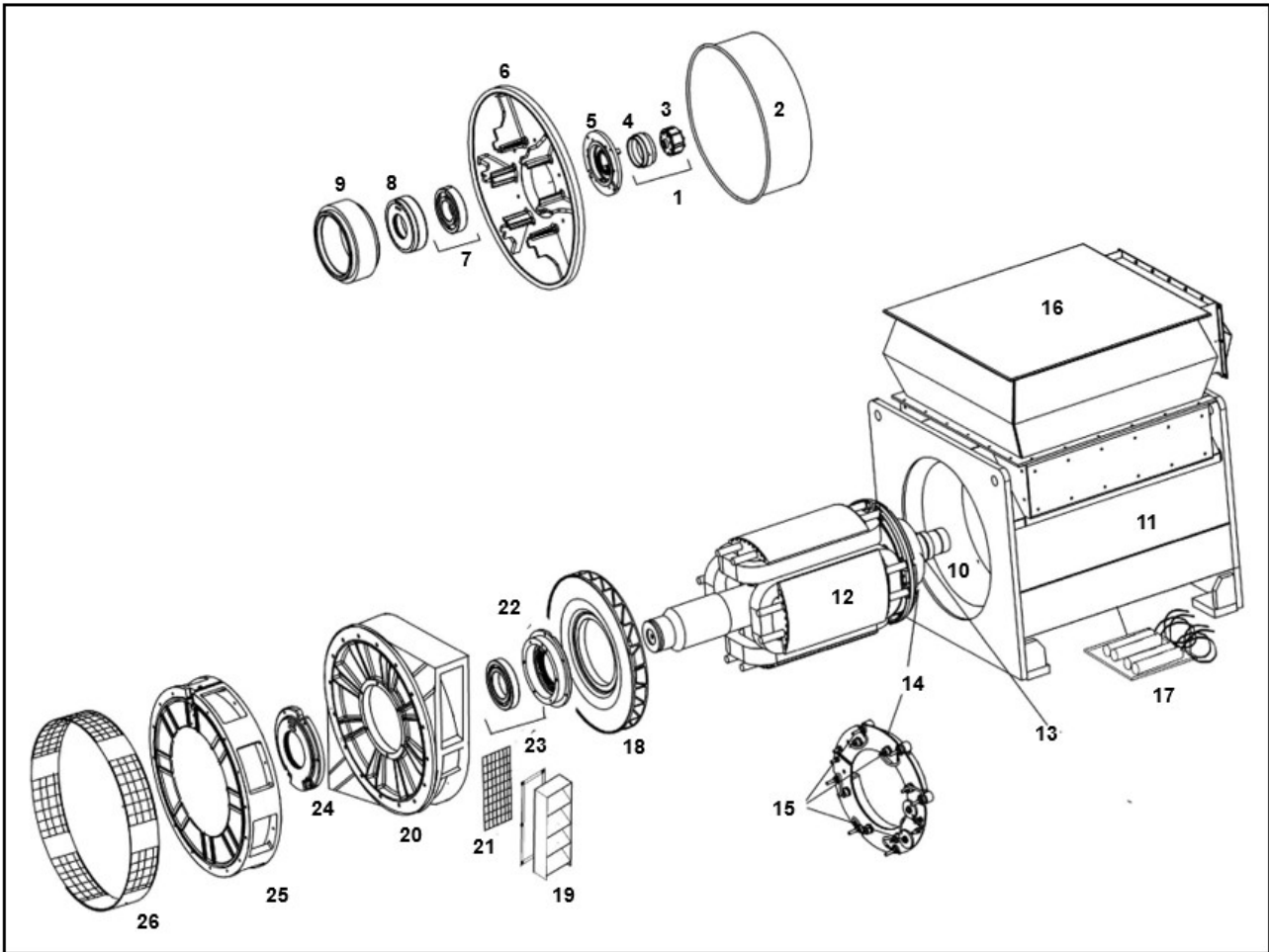


FIGURE 14. FRAME 8 MK2 2 BEARING PARTS DRAWING

TABLE 13. FRAME 8 MK2 2 BEARING PARTS LISTS

Item	Part No.	Description	Qty
1	45-1082	Complete PMG Kit	1
2	800-10481	NDE Cover	1
3	See No.1	Current PMG rotor/stator repair kit	1
4	See No.1	Current PMG rotor/stator repair kit	1
5	820-10186	NDE Cap	1
6	800-10602	NDE Endbracket C - E	1
	800-10309	NDE Endbracket F- G	1
7	45-0402	NDE Bearing Kit	1
8	820-10185	NDE Bearing cartridge	1
9	800-1023	Exciter stator	1
10	QMSN	Main stator frame assy	1
11	QMSN	Main stator panel work	4

Item	Part No.	Description	Qty
12	QMSN	Main rotor assy	1
13	800-1024	Exciter rotor	1
14	810-1015	Rectifier assy	1
15	RSK-6001	Diode Fwd/Rev & Varistor Kit	1
16	QMSN	Complete terminal box assy	1
17	45-0324	Heater Kit	2
18	800-10442	Fan clockwise rotation	1
	800-10447	Fan anti-clockwise rotation	1
19	45-1150	Louvre	1
20	800-10464	DE Bracket C - E (clockwise)	1
	800-10313	DE Bracket F - G (clockwise)	1
	800-10466	DE Bracket C - E (anti-clockwise)	1
	800-10466	DE Bracket F - G (anti-clockwise)	1
21	760-10728	DE Bracket screen C - E	2
	800-10983	DE Bracket screen F - G	2
22	800-10475	DE Bearing cartridge C - E	1
	820-10137	DE Bearing cartridge F - G	1
23	45-0399	DE Bearing kit C - E	1
	45-0401	DE Bearing kit F - G	1
24	800-10477	DE Bearing cap C - E	1
	820-10138	DE Bearing cap F - G	1
25	45-1220	Adaptor Kit SAE 0 C - E	1
	45-1135	Adaptor Kit SAE 00 C - E (32 hole)	1
	45-1136	Adaptor Kit SAE 0 F - G	1
	45-1137	Adaptor Kit SAE 00 F - G	1
	45-1138	Adaptor kit SAE 00 F - G (32 hole)	1
	45-1134	Adaptor kit special C - E	1
26	See Item 26	Adaptor screen (comes with kit)	1
	E000-13300	AVR MA330 (not shown)	1

# 15 Accessories

TABLE 14. ACCESSORIES

Range	Description	Part Number	Amps	Comments
<b>DROOP KITS</b>				
UC	DROOP KIT	45-0092		
ALL BC	DROOP KIT	45-0193		
HC4/S4	DROOP KIT	45-0583		
HC5	DROOP KIT	45-0588		
HC5	DROOP TRANSFORMER FOR DM110	520-11000		
HC5	DROOP TRANSFORMER FOR DM110 UL CERT	A048U394		
HC6 & 7	DROOP KIT	45-0691		
HC6	DROOP TRANSFORMER FOR DM110	660-11621		
HC6	DROOP TRANSFORMER FOR DM110 UL CERT	A048L326		
P7	DROOP KIT	45-1024	4 Pole = Amp 1200-1999, 2400-4000	
			6 Pole = Amp 900-1499, 1800-3000	
P7	DROOP KIT	45-1056	4 Pole = Amp < 1200, 2000-2399	
			6 Pole = Amp < 900, 1500-1799	
P7	DROOP TRANSFORMER FOR DM110	760-11572		
P7	DROOP TRANSFORMER FOR DM110 UL CERT	A048G245		
S5	Analog Droop Kit	A048G245		
S5	Droop CT for Digital AVR	A048G245		
<b>AIRFILTER KITS</b>				
UC22	AIRFILTER KIT	45-0875		
UC27	AIRFILTER KIT	45-0878		To end of October 2005
ALL BC	AIRFILTER KIT	45-0769		From November 2005
HC4/S4	AIRFILTER KIT	45-0883		
HC5	AIRFILTER KIT	45-0315		

Range	Description	Part Number	Amps	Comments
P7	AIRFILTER KIT	45-1023		Standard Terminal Box Industrial
P7	AIRFILTER KIT	45-1039		Standard Terminal Box Marine
P7	AIRFILTER KIT	45-1062		High Terminal Box Industrial
P7	AIRFILTER KIT	45-1063		High Terminal Box Marine
P7	AIRFILTER KIT	G CORE		Not currently covered by a kit
<b>TERMINAL BOX ASSY</b>				
ALL BC	TERMINAL BOX STD ASSY	45-0861		
ALL BC	TERMINAL BOX STD ASSY	45-1027		
BC184 H-J CORE	3PH TERMINAL BOX KIT	45-1040		
UC27	TERMINAL BOX KIT	45-0890		
<b>POWER FACTOR CONTROLLER</b>				
ALL RANGES	PCB VERSION	E000-22090		
ALL RANGES	COMPLETE ASSEMBLY IN STEEL	E000-12090		
<b>ELECTRONIC MODULES</b>				
ALL RANGES	FREQUENCY DETECTION MODULE 12V	E000-21041		
ALL RANGES	FREQUENCY DETECTION MODULE 24V	E000-21042		
ALL RANGES	EXCITATION LOSS:24V	E000-22062		
ALL RANGES	EXCITATION LOSS:12V	E000-22063		
ALL RANGES	MANUAL VOLTAGE REGULATOR	450-11400		UPFIT KIT 45-0506
ALL RANGES	DIODE FAILURE DETECTOR	E000-12025		
ALL RANGES	RFI SUPPRESSION ASSY	E000-22080		
ALL RANGES	3-PH RECTIFIER ASSY	E000-22016		
<b>HAND TRIMMERS</b>				
	FOR MX321/SX421	071-01037		



Range	Description	Part Number	Amps	Comments
	FOR MX341,SX440/465/460 AS440	071-01649		
<b>ISOLATION TRANSFORMERS</b>				
UC22	1:1 TRANSFORMER ASSEMBLY	E000-22070/P		
UC27	1:1 TRANSFORMER ASSEMBLY	E000-22070/P		
HC4/S4	1:1 TRANSFORMER ASSEMBLY	E000-22070/P		
HC5	1:1 TRANSFORMER ASSEMBLY	E000-22070/P		
HC6 & HC7	2:1 ISOLATION TRANSFORMER & BRKT ASSY 480:240	450-42100		
HC6 & HC7	2.5:1 ISOLATION TRANSFORMER & BRKT ASSY 600:240	450-42200		
HC6 & HC7	3:1 ISOLATION TRANSFORMER & BRKT ASSY 720:240	450-42300		
<b>BEARING RTD'S</b>				
P7	NDE RTD KIT	45-1097		
P7	DE RTD KIT	45-1096		
P7	NDE & DE RTD KIT	45-1095		

-

---

This page is intentionally blank.



**STAMFORD | AvK™**  
POWERING TOMORROW, TOGETHER