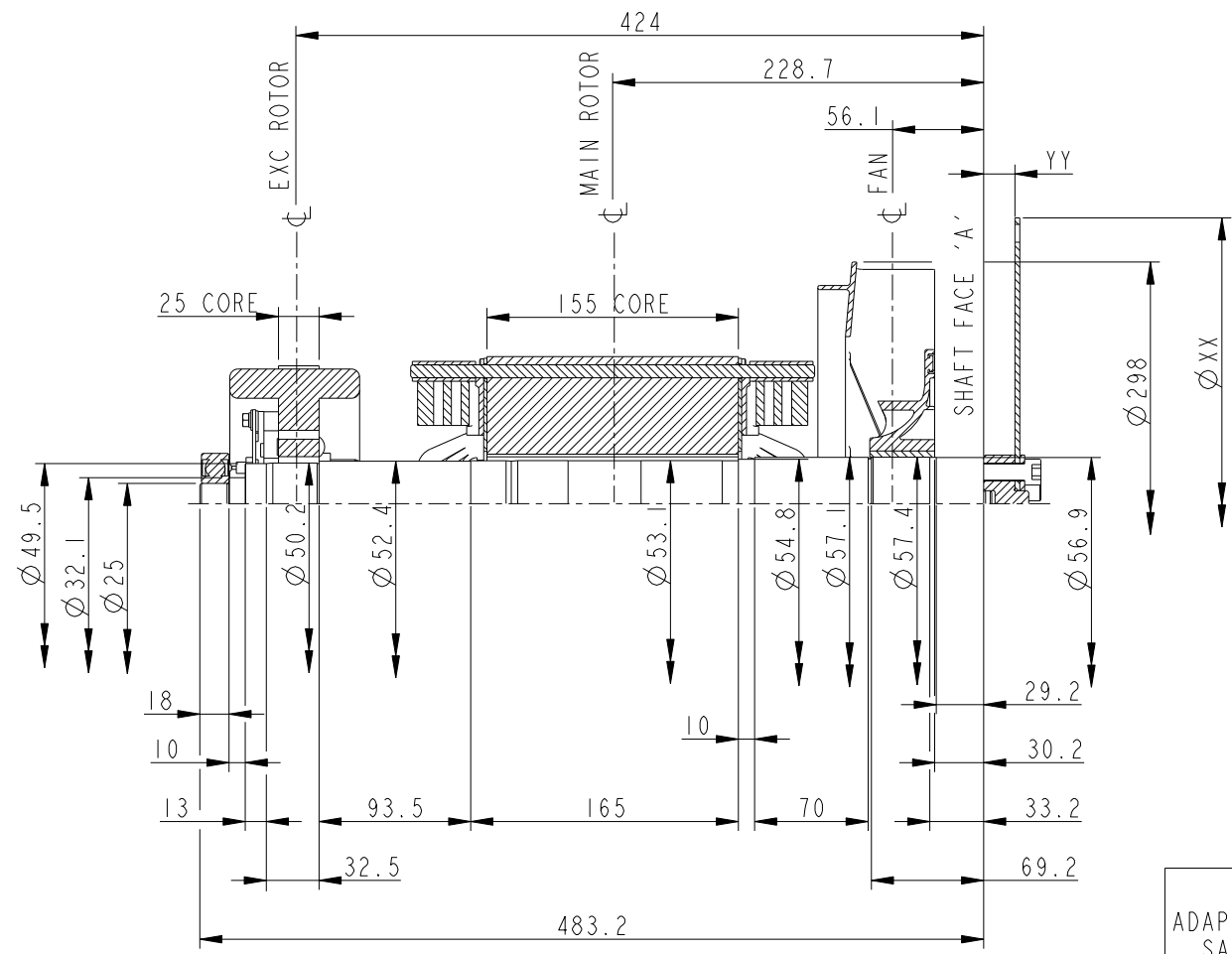


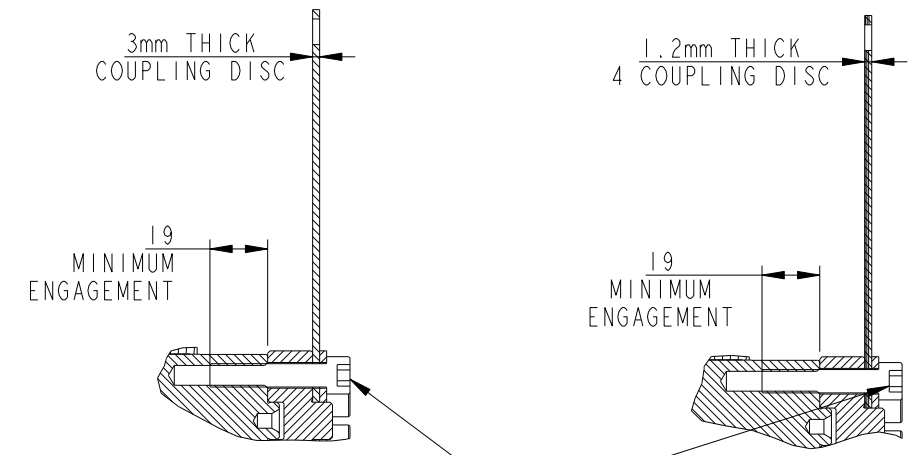
REL NO	REV	DETAIL	DWN	CKD	APVD	DATE
ECO-160793	C	PRODUCTION RELEASE	PS	UKD	S. JOSHI	21 JUL 16
SEE ECO						

NOTES:

- SHAFT STIFFNESS:
THE STIFFNESS OF THE SHAFT BETWEEN THE MAIN ROTOR CORE ϕ AND THE SHAFT FACE 'A' IS 3.3058×10^6 kgcm/radian (STIFFENING EFFECT OF MAIN ROTOR CORE IS NOT INCLUDED IN THIS FIGURE)
- SHAFT MATERIAL:
STEEL - C40E TO BSEN 10083-2 2006
MAXIMUM RECOMMENDED VIBRATORY STRESS LEVEL IN THE SHAFT IS 34.47×10^6 N/m² FOR SPEED RANGE OF 0.95 TO 1.1 X NOMINAL SPEED AND 68.94×10^6 N/m² FOR RUN THROUGH CONDITIONS, FOR INDUSTRIAL MACHINES.
- CUMMINS GENERATOR TECHNOLOGIES LTD SHOULD BE NOTIFIED OF ANY ROTORS NOT COMPLYING WITH THESE RULES.
- CUMMINS GENERATOR TECHNOLOGIES LTD BALANCE ROTORS TO COMPLY WITH INTERNATIONAL STD BS ISO 1940 PARTS 1 AND 2. BALANCE GRADE 2.5
- FOR UNBALANCED MAGNETIC PULL (U.M.P.) REFER BACK TO THE FACTORY



ADAPTOR SAE No.	COUPLING SAE No.	COUPLING DIMENSIONS		MASS OF DISCS (kg) (1 X 3mm THICK)	MASS OF DISCS (kg) (4 X 1.2mm THICK)	MASS OF SHAFT SPACER (kg)	MASS OF PRESSURE PLATE (kg)	TOTAL MASS OF COUPLING ASSEMBLY (kg)	COUPLING STIFFNESS (kgcm/rad)	COUPLING DISC WR ² (kgm ²)
		Ø XX mm	YY mm							
4/5	6 1/2	215.8	9.88	0.835	-	0.175	0.048	1.058	12.00 X 10 ⁶	0.0049
4/5	7 1/2	241.2	9.88	1.047	-	0.175	0.048	1.270	11.90 X 10 ⁶	0.0077
3/4	10	314.2	33.47	1.790	-	0.592	0.048	2.431	11.71 X 10 ⁶	0.0221
3	11 1/2	352.3	19.27	2.260	-	0.341	0.048	2.650	11.66 X 10 ⁶	0.0351
3	11 1/2	352.3	17.47	-	3.616	0.309	0.048	3.973	18.70 X 10 ⁶	0.0562



SECTION A-A SCALE 1:2
6 EQUI-SPACED SOCKET HEAD SCREW M10 X 1.5 PITCH ON 39 PCD TORQUE 73 Nm

CONVERSION FACTORS		
TO CONVERT	TO	DIVIDE BY
kg	lb	0.453592
kg m ²	lb ft ²	0.04214
kgcm/rad	lbin/rad	1.1521246
N/m ²	lbf/in ²	6894.76

COMPONENT	Wt Kg	WR ² Kg m ²
FAN	0.797	0.0069
SHAFT	8.18	0.0030
MAIN ROTOR	26.181	0.117
EXCITER ROTOR	4.56	0.0216
TOTAL	39.718	0.1485

UNLESS OTHERWISE SPECIFIED, ALL DIMENSIONS ARE IN MILLIMETERS

DIM	X ± 1	0.00-4.99 +0.15/-0.08	SIM TO - DO NOT SCALE PRINT - CONFIDENTIAL - PROPERTY OF CUMMINS GENERATOR TECHNOLOGIES	DWN S. PRABHA CKD U. DAGWALE APVD S. JOSHI DATE 05JUN15	 CUMMINS GENERATOR TECHNOLOGIES DRAWING, TORSIONAL SOL2-K1 4P	SHEET 1 REV C
	X.X ± 0.1	5.00-9.99 +0.20/-0.10				
	X.XX ± 0.01	10.00-17.99 +0.25/-0.13				
		17.50-24.99 +0.30/-0.13				

ANG TOL: ± 0.5° SCALE: 1:4

FIRST USED ON FORTUNA PUN DWG SIZE A2 A052Z765