

TABULATION						
FRAME	CURRENT ER	"A"	"B"	"C"	"X"	NETT WT (Kg)
SOLI-DI	ECO-166489	405.5	212	167	197	68
SOLI-HI	ECO-166489	440.5	247	202	215	76
SOLI-JI	ECO-166489	440.5	247	202	212	77
SOLI-LI	ECO-166489	485.5	292	235	243	86
SOLI-PI	ECO-166489	485.5	292	235	236	91
SOLI-SI	ECO-166489	485.5	292	235	233	92

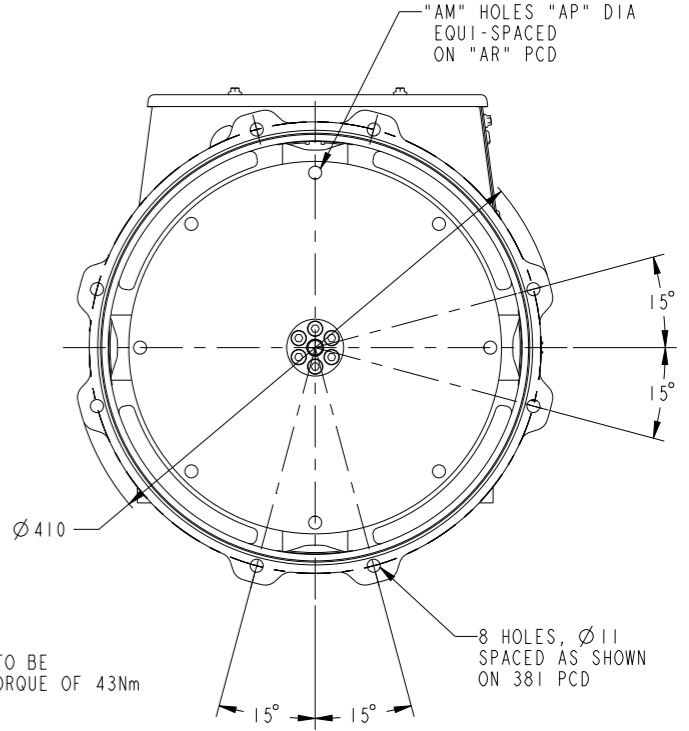
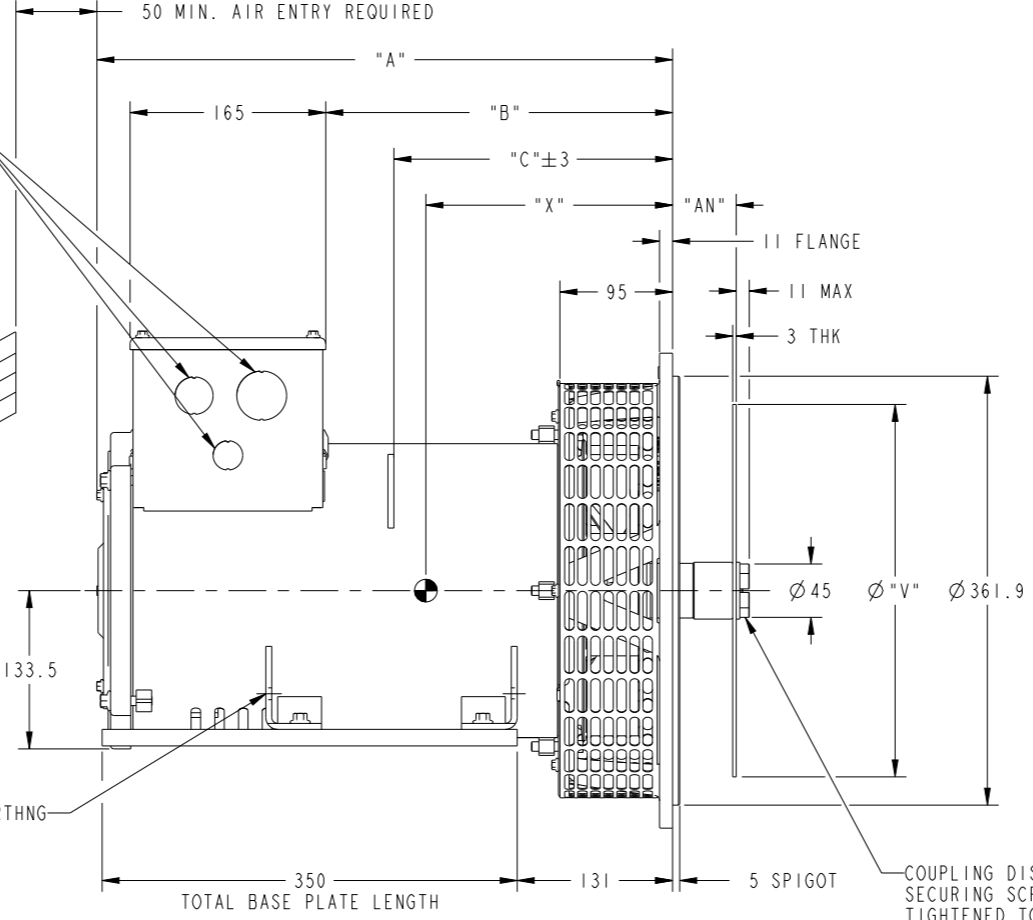
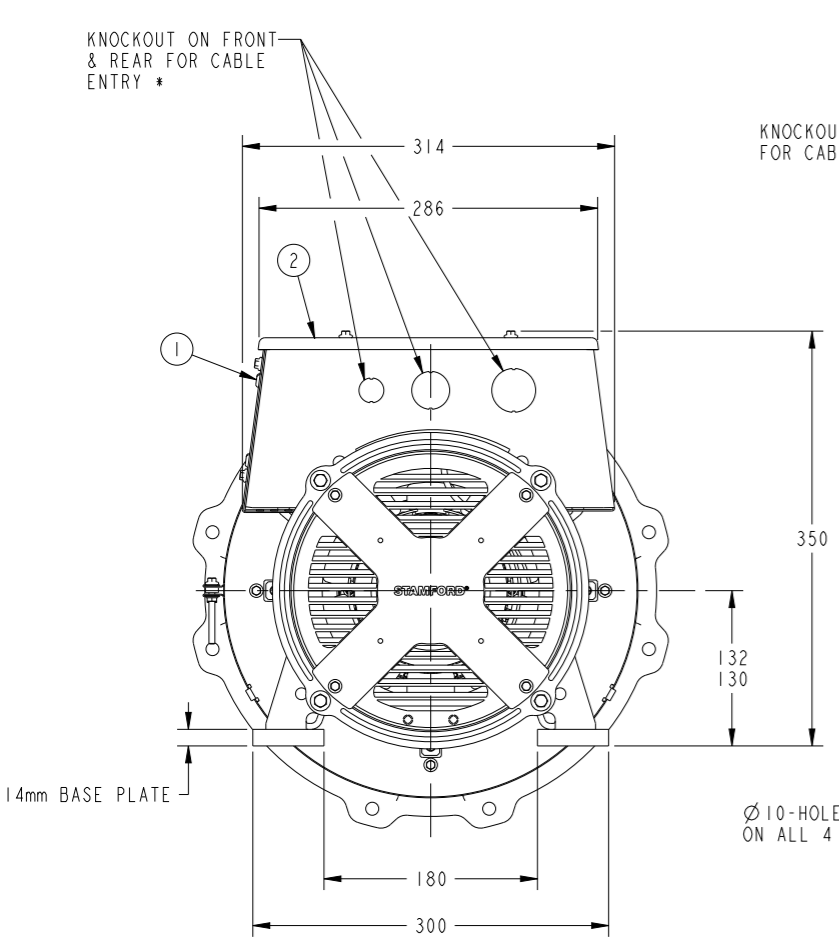
COUPLING DISC					
SAE	"AN"	"AM"	"AP"	"AR"	"V"
6.5	30.2	6	8.7	200.0	215.8
7.5	30.2	8	8.7	222.3	241.2
10	53.8	8	11	295.3	314.2

REL NO	REV	DETAIL	DWN CKD	APVD	DATE
ECO-166489	E	PRODUCTION RELEASE	KDP/UKD	S. JOSHI	02DEC16

①-REMOVABLE COVER FOR ACCESS TO AVR  
 ②-REMOVABLE COVER FOR ACCESS TO MAIN TERMINALS  
 \* FOR KNOCKOUT DETAILS REFER TERMINAL BOX DRAWING

KNOCKOUT ON FRONT & REAR FOR CABLE ENTRY \*

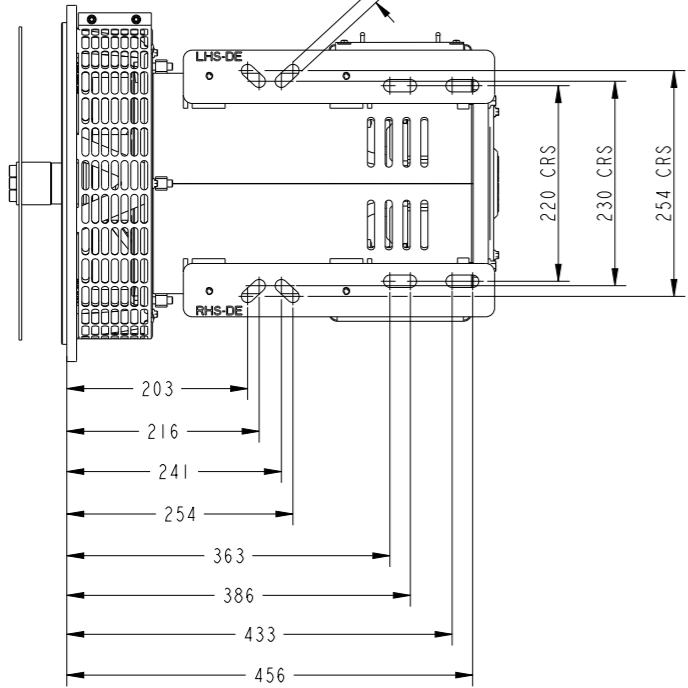
KNOCKOUT ON SIDE FOR CABLE ENTRY \*



Ø10-HOLE FOR BODY EARTHING ON ALL 4 FEET

COUPLING DISC SECURING SCREWS TO BE TIGHTENED TO A TORQUE OF 43Nm

Ø14 SLOTS FOR MOUNTING



SCALE 1:4  
FOOT PRINT VIEW

UNLESS OTHERWISE SPECIFIED, ALL DIMENSIONS ARE IN MILLIMETERS		SHEET NO -		DWN K. PAWAR		CUMMINS GENERATOR TECHNOLOGIES	
DO NOT SCALE PRINT		CDX U. DAGWALE		APVD S. JOSHI		1-BEARING ALTERNATOR SAE 4 ADAPTOR SOLI 4-POLE (132CH)	
DATE 01JAN16		SITE CODE		PUN		A054G969	
ANG TOL: ± 0.5°		SCALE: 1:3		FOR INTERPRETATION FIRST USED ON		SHEET REV	
PROPERTY OF CUMMINS GENERATOR TECHNOLOGIES		ASME Y14.5M-1994		PUN		I E	