

CORE	C OF G	NETT WT.(kg)
C	433	850.5
D	453	915.5
E	474	995.5
F	500	1123.5

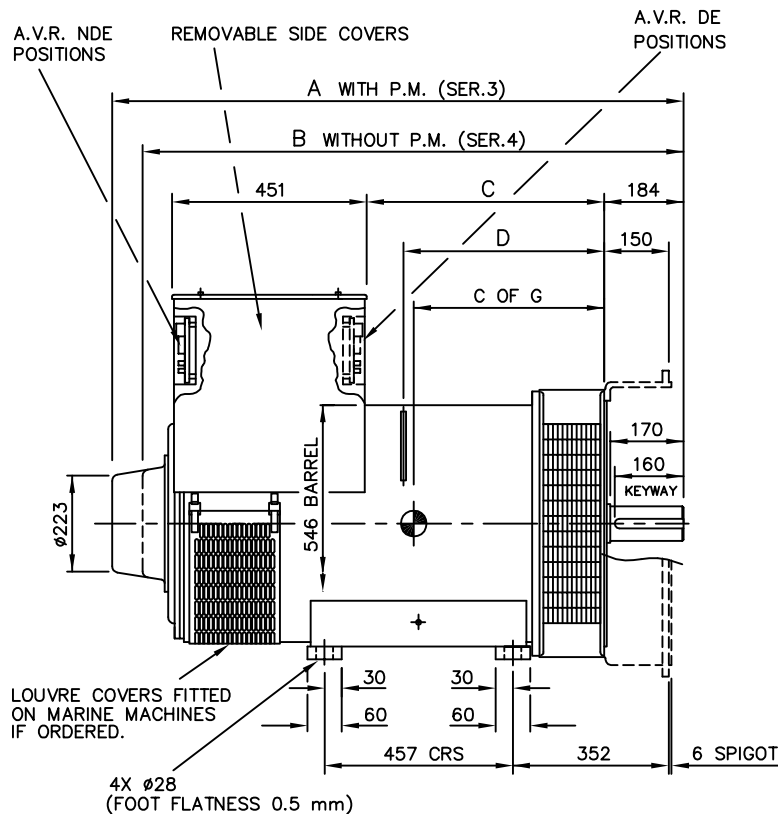
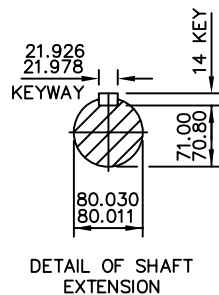
DIMENSIONS				
FRAME	A	B	C	D
C,D,E	1326	1255	554	463
F	1416	1345	644	553

REL NO	REV	NO	REVISION	DWN	CKD	APVD	DATE
ECO-166160	A	1	RELEASED FOR PRODUCTION	PP	AB	B_SURVE	14NOV16

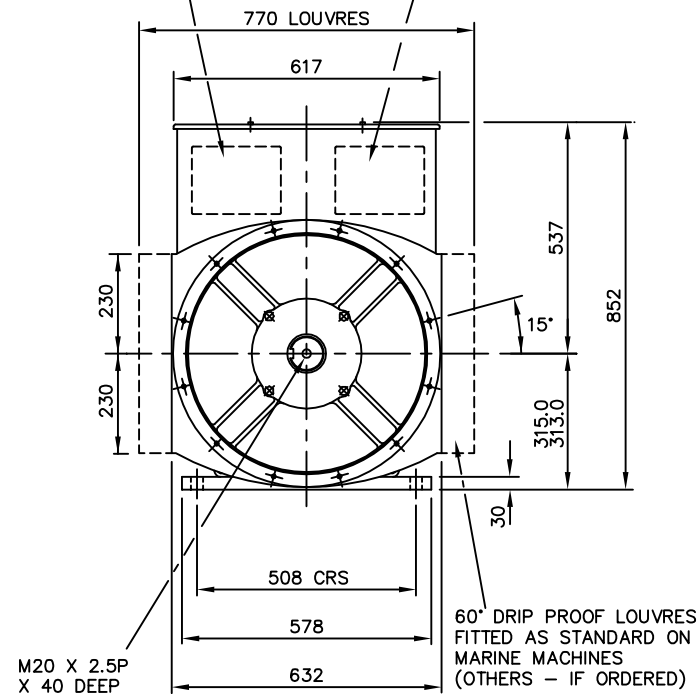
NOTES: -

1. CUSTOMER MAY CUT CABLE ENTRY HOLES AS REQUIRED IN ANY OF THE FOUR TERMINAL BOX SIDES SUBJECT TO POSITION OF A.V.R, TERMINALS, ETC.
2. FOR FLANGE ADAPTOR DETAILS SEE SHEET 2.

WEIGHTS DO NOT INCLUDE SAE ADAPTOR FLANGES



A.V.R. POSITION WHEN FITTED TO NDE OR DE (TO SUIT R/H CABLE ENTRY)
 A.V.R. POSITION WHEN FITTED TO NDE OR DE (TO SUIT L/H CABLE ENTRY)

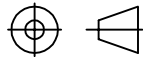


UNLESS OTHERWISE SPECIFIED, ALL DIMENSIONS ARE IN MILLIMETERS

SIM TO 41-4497

DO NOT SCALE PRINT

SCALE 1:10



THIS DOCUMENT (AND THE INFORMATION SHOWN THEREON) IS CONFIDENTIAL AND PROPRIETARY AND SHALL NOT BE DISCLOSED TO OTHERS IN HARD COPY OR ELECTRONIC FORM, REPRODUCED BY ANY MEANS, OR USED FOR ANY PURPOSE WITHOUT WRITTEN CONSENT OF CUMMINS INC.

DRAWN P_PACHPUTE

CHECKED A_BIRARI

APPROVED B_SURVE

DATE 14NOV16

FOR INTERPRETATION OF DIMENSIONING AND TOLERANCING, SEE ASME Y14.5-2009

FIRST USED ON S4



SITE CODE

STA

CUMMINS GENERATOR TECHNOLOGIES

DRAWING, GENERAL ASSEMBLY

S4 CDEF 2-BRG STD GA

DWG SIZE A4

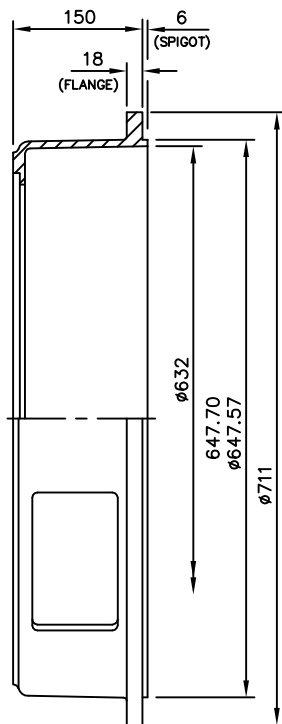
A056N443

CAD SHEET 1 of 2

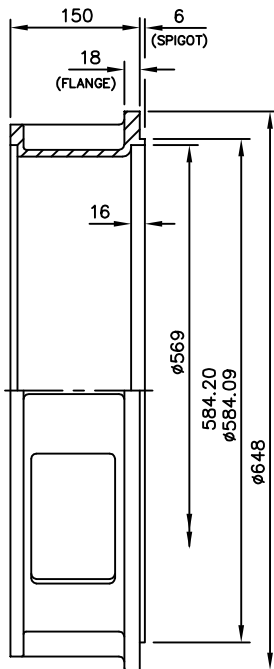
FLANGE ADAPTER				
S.A.E. No	"R"	"S"	"T"	WEIGHT (kg)
1	12	12.7	530.2	25
1/2	12	14	619.1	27.5
0	16	14	679.5	18

REL NO	REV	NO	REVISION	DWN	CKD	APVD	DATE
ECO-166160	A	1	RELEASED FOR PRODUCTION	PP	AB	B_SURVE	14NOV16

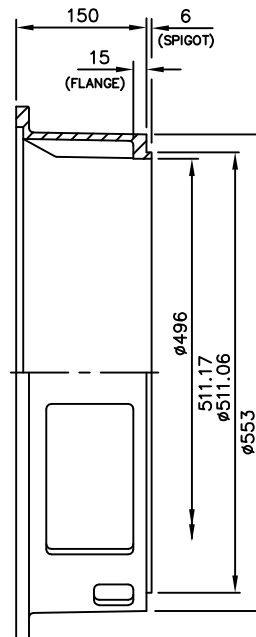
NOTE: -
1. FOR MACHINE DETAILS SEE SHEET 1



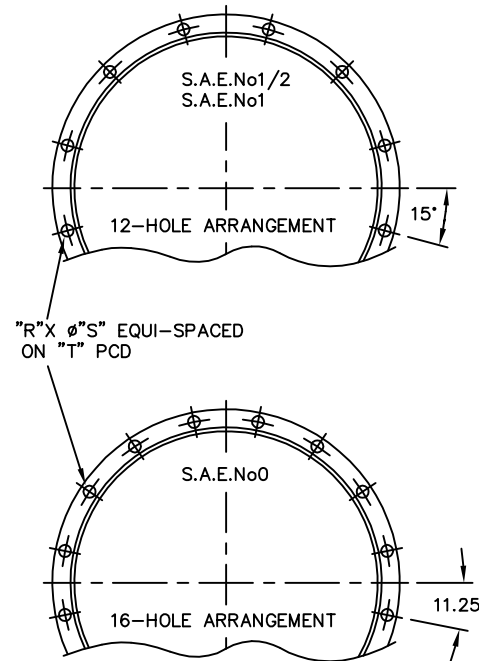
S.A.E.No0



S.A.E.No1/2



S.A.E.No1



UNLESS OTHERWISE SPECIFIED, ALL DIMENSIONS ARE IN MILLIMETERS	SIM TO 41-4497	DRAWN P_PACHPUTE		CUMMINS GENERATOR TECHNOLOGIES		
	DO NOT SCALE PRINT	CHECKED A_BIRARI		DRAWING, GENERAL ASSEMBLY		
	SCALE 1:5	APPROVED B_SURVE		S4 CDEF 2-BRG STD GA		
	THIS DOCUMENT (AND THE INFORMATION SHOWN THEREON) IS CONFIDENTIAL AND PROPRIETARY AND SHALL NOT BE DISCLOSED TO OTHERS IN HARD COPY OR ELECTRONIC FORM, REPRODUCED BY ANY MEANS, OR USED FOR ANY PURPOSE WITHOUT WRITTEN CONSENT OF CUMMINS INC.	DATE 14NOV16		DATE 14NOV16	SITE CODE STA	DWG SIZE A4
		FOR INTERPRETATION OF DIMENSIONING AND TOLERANCING, SEE ASME Y14.5-2009	FIRST USED ON S4			