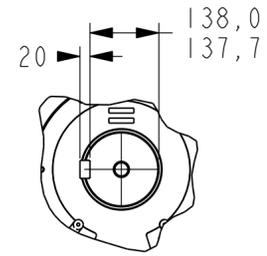
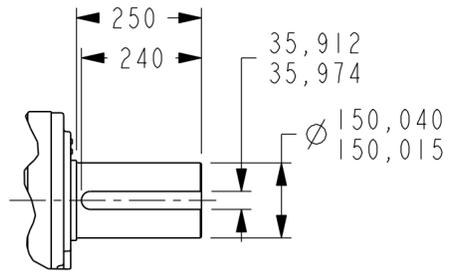
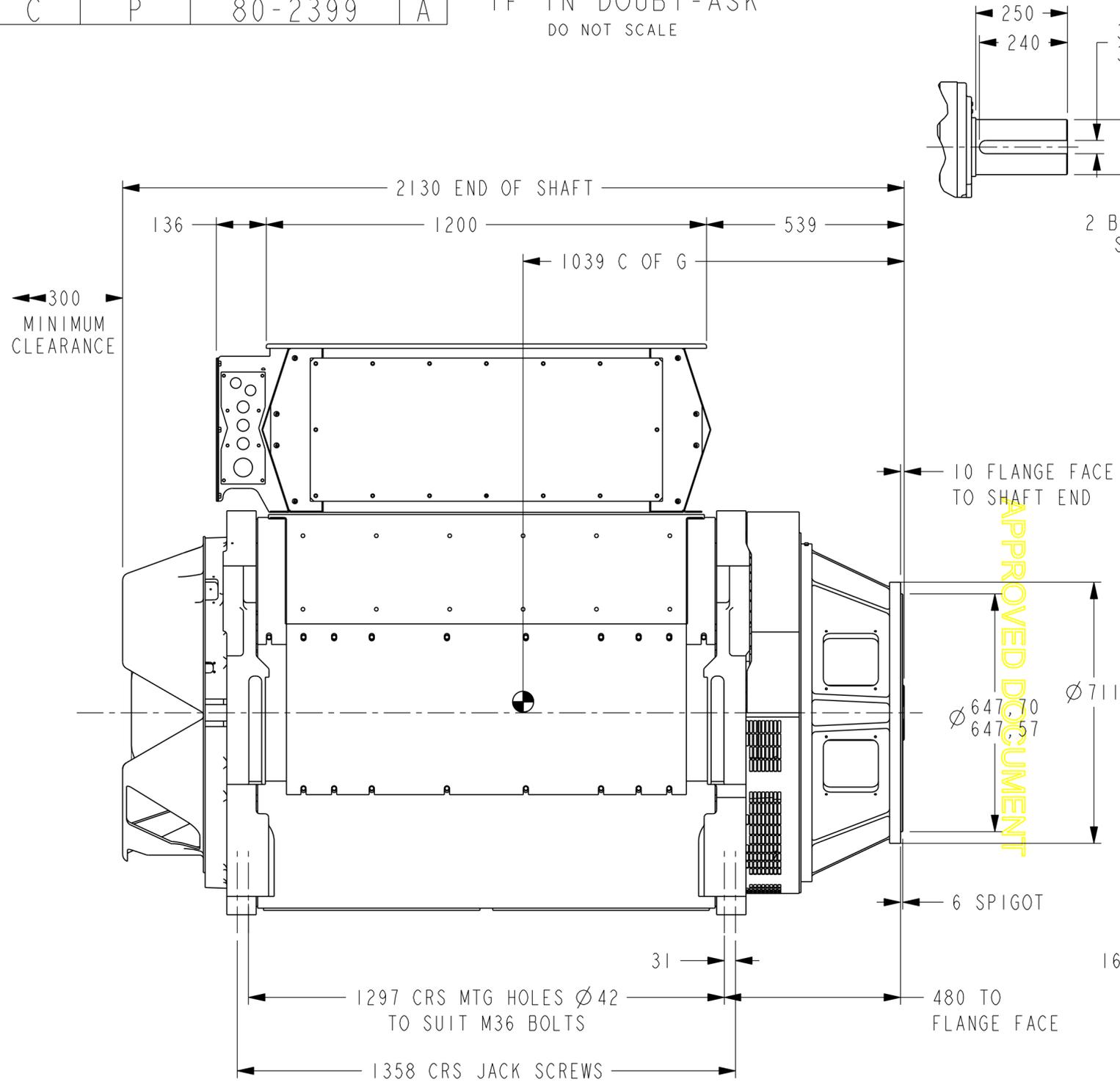
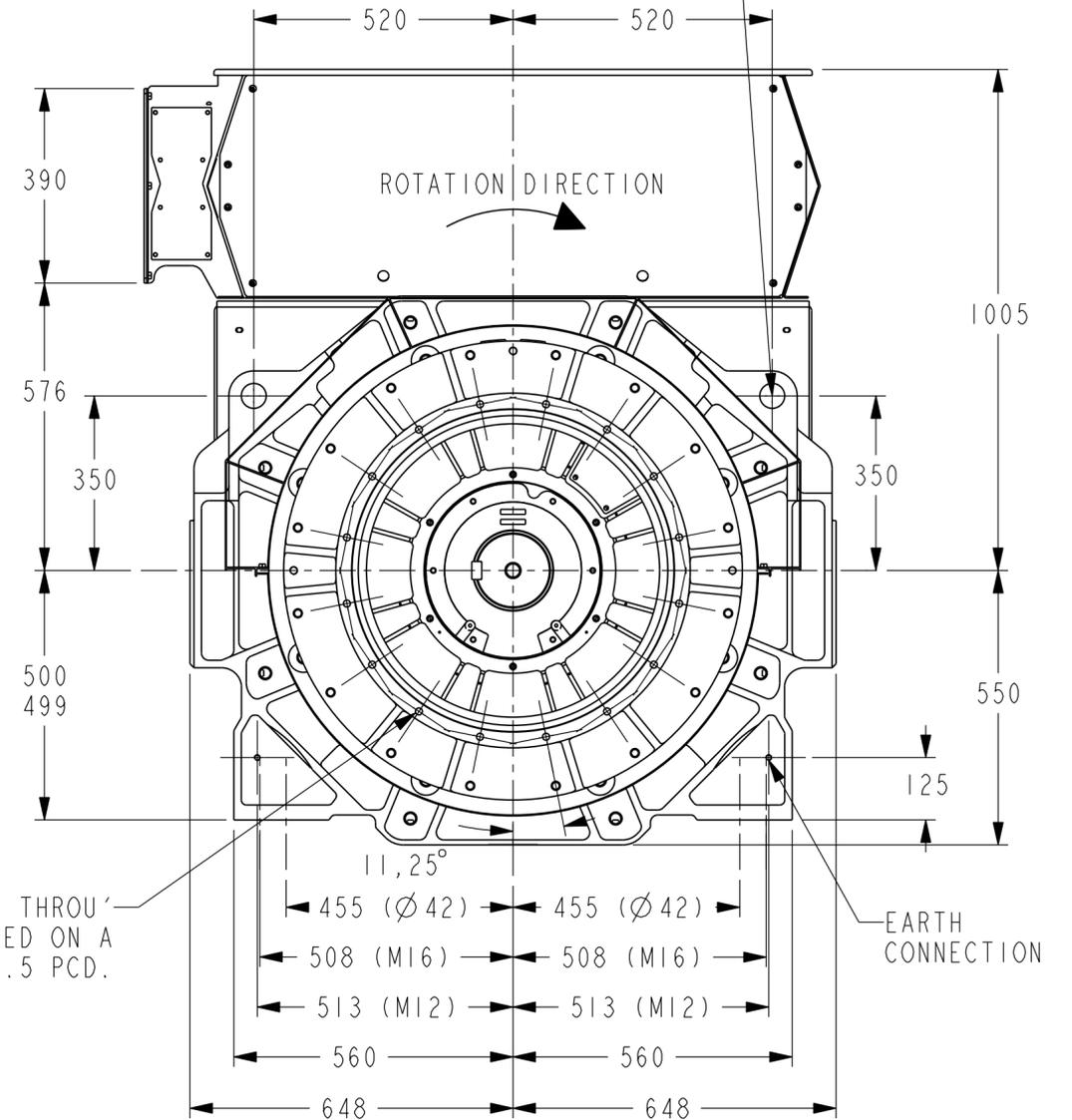


IF IN DOUBT-ASK
DO NOT SCALE



Ø50 LIFTING HOLES 4 PLACES

2 BEARING DETAIL
SCALE 1:10

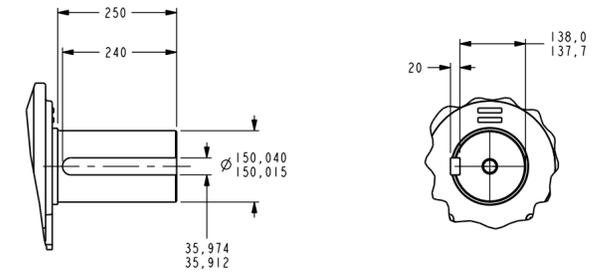
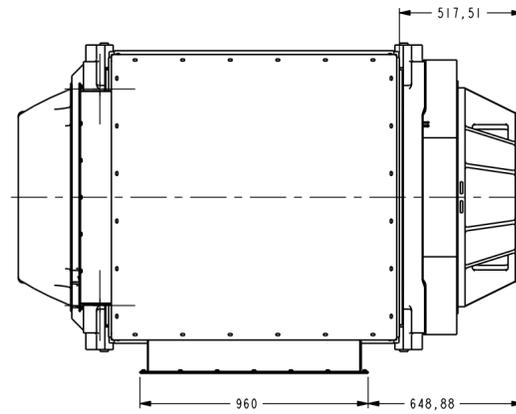


APPROVED DOCUMENT

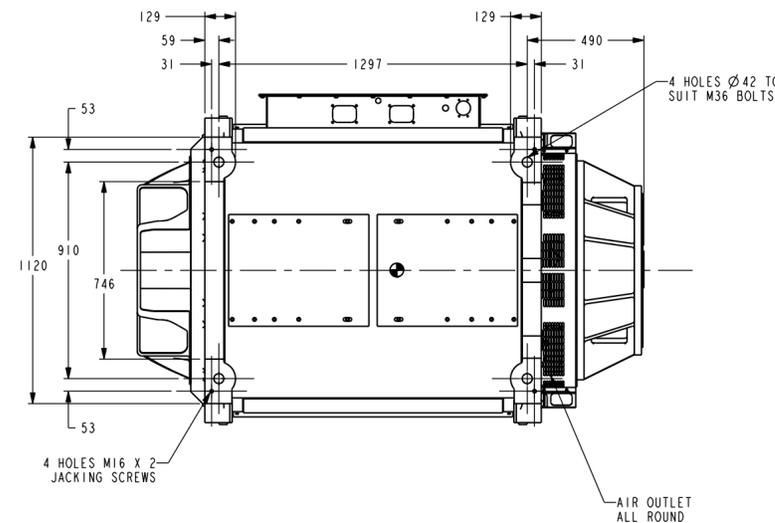
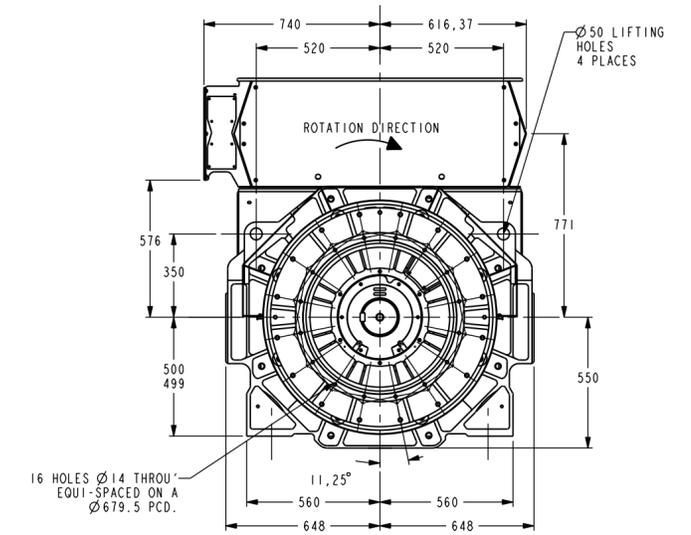
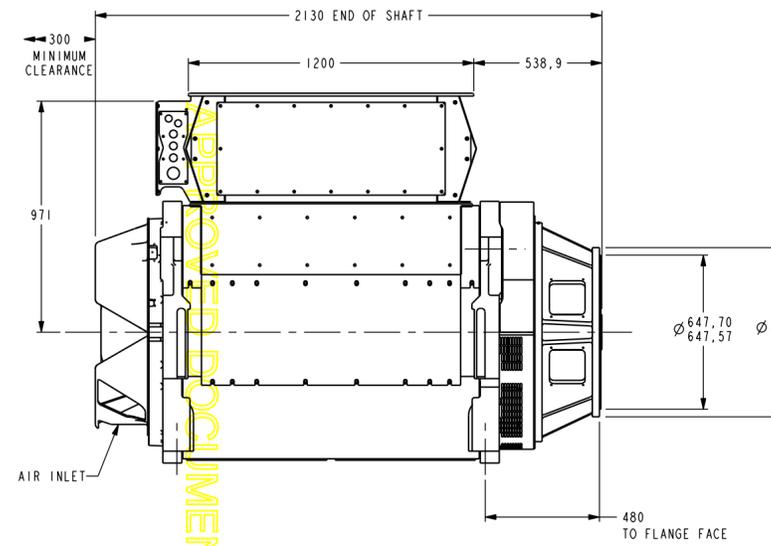
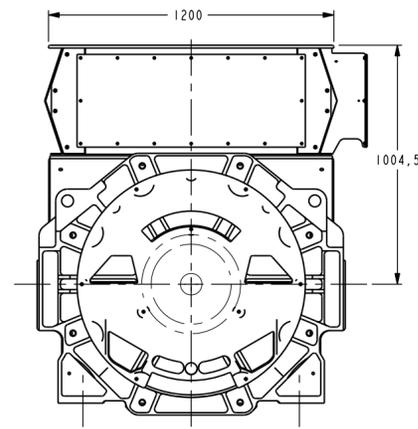
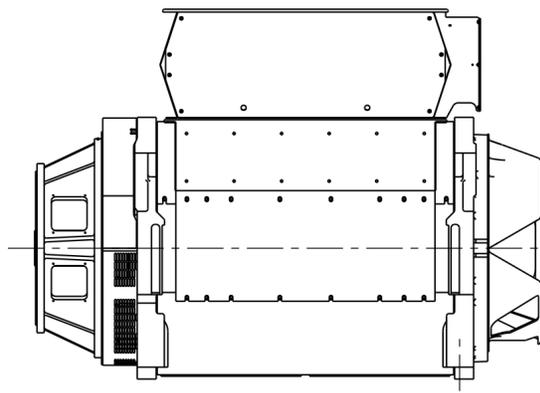
CONFIDENTIAL PROPERTY OF
CUMMINS GENERATOR TECHNOLOGIES LTD

P80 ALTERNATOR MV S CORE
CENTRE HEIGHT = INTEGRAL 500
CONNECTION ADAPTOR SAE0

| | | | | | | | | | | | | | | | | |
|------------------|-------|--|---|----------------|-----------------|---------------------|---------------------|-------|-----|----------|---------|-----|----------|----------|-------|----------|
| MATERIAL PROPS | - | DIMENSIONS IN MILLIMETRES (MM) AT 20°C | PROJECTION | | | SCALE 1:10 | MATERIAL SEE BOM | | | | | | | | | |
| FINISH SPEC | - | | | | | | | | | | | | | | | |
| GEOMETRY SPEC | - | | WEIGHT = 5822 KG | | | | | | | | | | | | | |
| ASSEMBLY SPEC | - | | <table border="1"> <tr> <td>DRAWN</td> <td>IAM</td> <td>11/09/07</td> </tr> <tr> <td>CHECKED</td> <td>IAM</td> <td>11/09/07</td> </tr> <tr> <td>APPROVED</td> <td>R.MAC</td> <td>11/09/07</td> </tr> </table> | | | | | DRAWN | IAM | 11/09/07 | CHECKED | IAM | 11/09/07 | APPROVED | R.MAC | 11/09/07 |
| DRAWN | IAM | | 11/09/07 | | | | | | | | | | | | | |
| CHECKED | IAM | 11/09/07 | | | | | | | | | | | | | | |
| APPROVED | R.MAC | 11/09/07 | | | | | | | | | | | | | | |
| PERFORMANCE SPEC | - | SURFACE FINISH VALUES IN MICRO METRES | | | | | | | | | | | | | | |
| QUALITY SPEC | - | UNLIMITED DIMS ± -- | | | DRG. SIZE C | CASTING No | | | | | | | | | | |
| 4-8326-05 | A | IAM | 11/09/07 | ORIGINAL ISSUE | REL. PHASE P | PART No 80-2399 | ISSUE A | | | | | | | | | |
| MOD. | ISSUE | DRAWN | DATE | MODIFICATION | Pro/ENGINEER | SHEET 1 OF 2 SHEETS | | | | | | | | | | |



2 BEARING SHAFT DETAIL
SCALE 1:5



| | |
|---------------------|--------------|
| FRAME | P80 |
| CORE LENGTH | S |
| VOLTAGE RATING | MV |
| BEARINGS | 2 |
| CENTRE HEIGHT | INTEGRAL 500 |
| ADAPTOR | SAE0 |
| COUPLING | NONE |
| ENCLOSURE | IP23 |
| CABLE ENTRY FROM DE | LEFT |

| | | | | | |
|--|---|--|-------------------------|---|---------------------|
| CONFIDENTIAL PROPERTY OF CUMMINS GENERATOR TECHNOLOGIES LTD | | | | P80 ALTERNATOR MV S CORE CENTRE HEIGHT = INTEGRAL 500 CONNECTION ADAPTOR SAE0 | |
| MATERIAL PROPS | - | DIMENSIONS IN MILLIMETRES (MM) AT 20°C | PROJECTION | SCALE 1:10 | MATERIAL SEE BOM |
| FINISH SPEC | - | SURFACE FINISH VALUES IN MICRO METRES | WEIGHT = 5822 KG | DRG. SIZE A | CASTING No |
| GEOMETRY SPEC | - | UNLIMITED DIMS ± | DRAWN IAM 11/09/07 | REL. PHASE P | PART No 80-2399 |
| ASSEMBLY SPEC | - | | CHECKED IAM 11/09/07 | ISSUE A | |
| PERFORMANCE SPEC | - | | APPROVED R.MAC 11/09/07 | PREP/ENGINEER | |
| QUALITY SPEC | - | | | | SHEET 2 OF 2 SHEETS |

| | | | | |
|-----------|-------|-------|----------|----------------|
| 4-8326-05 | A | IAM | 11/09/07 | ORIGINAL ISSUE |
| MOD. | ISSUE | DRAWN | DATE | MODIFICATION |