

Parts Manual

CURRENT PRODUCTS

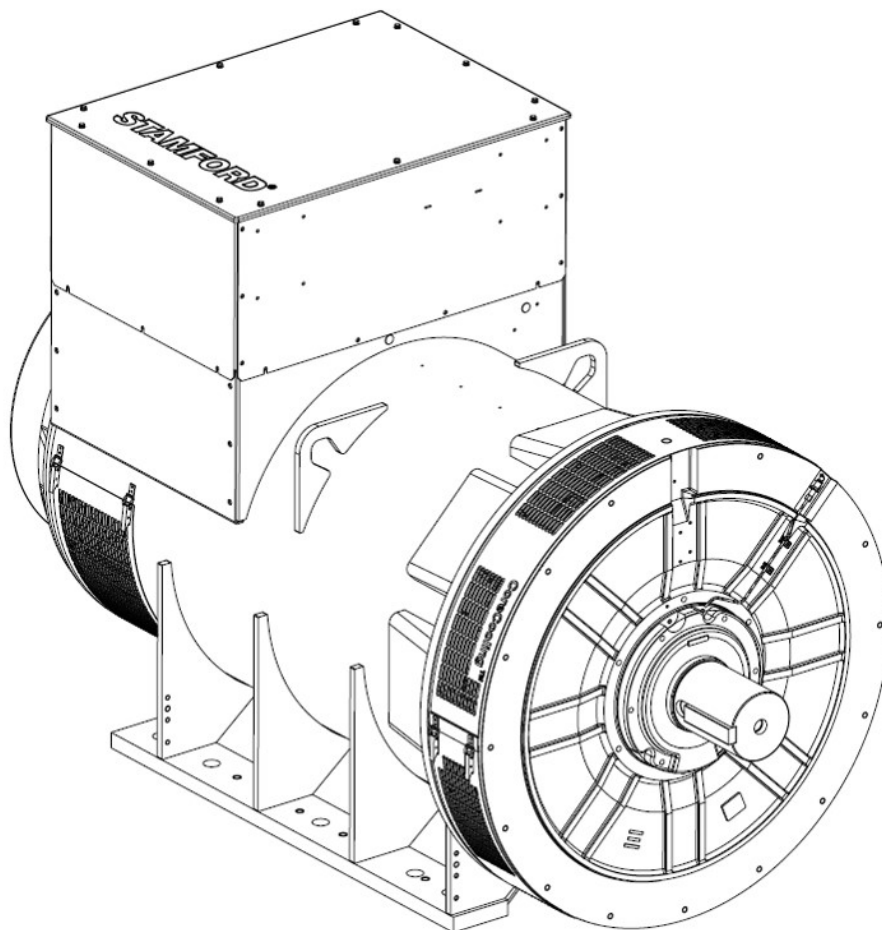


Table of Contents

1. FOREWORD	1
2. PLANNED MAINTENANCE KITS	3
3. P0 - ONE BEARING ALTERNATOR.....	5
4. P0 - TWO BEARING ALTERNATOR.....	9
5. P1 - ONE BEARING ALTERNATOR.....	13
6. P1 - TWO BEARING ALTERNATOR.....	17
7. S0L1 - ONE BEARING ALTERNATOR.....	21
8. S0L2 - ONE BEARING ALTERNATOR.....	23
9. S1L2 - ONE BEARING ALTERNATOR.....	25
10. UCD22 - ONE BEARING ALTERNATOR.....	27
11. UCD27 - ONE BEARING ALTERNATOR.....	31
12. UCI224 - ONE BEARING ALTERNATOR.....	35
13. UCI224 (C-G) TWO BEARING (4 POLE) ALTERNATOR.....	39
14. UCI274 (C-H) ONE BEARING ALTERNATOR.....	43
15. UCI274 (C-H) TWO BEARING (4 POLE) ALTERNATOR.....	47
16. HC434 (C-F) ONE BEARING ALTERNATOR.....	51
17. HC434 (C-F) TWO BEARING ALTERNATOR.....	55
18. S4 (C-F) ONE BEARING ALTERNATOR.....	59
19. S4 (C-F) TWO BEARING ALTERNATOR.....	63
20. S4 (G) ONE BEARING (DEDICATED) ALTERNATOR.....	67
21. HC534 (C-F) ONE BEARING (SER 3-4) ALTERNATOR.....	71
22. HC534 (C-F) TWO BEARING (SER 3-4) ALTERNATOR.....	77
23. S5 (C-F) ONE BEARING (DEDICATED) ALTERNATOR.....	83
24. S5 (G-H) ONE BEARING (DEDICATED) ALTERNATOR.....	87
25. S5 (C-F) ONE BEARING ALTERNATOR.....	91
26. S5 (C-F) TWO BEARING ALTERNATOR.....	95
27. HC634 (G-K) ONE BEARING (SER 3) ALTERNATOR.....	99

28. HC634 (G-K) TWO BEARING (SER 3) ALTERNATOR.....	103
29. S6 (C-H) ONE BEARING (DEDICATED) ALTERNATOR.....	107
30. S6 (C-H) TWO BEARING (DEDICATED) ALTERNATOR.....	111
31. P7 (A-G) ONE BEARING ALTERNATOR.....	115
32. P7 (A-G) TWO BEARING ALTERNATOR.....	121
33. S7 LV ONE BEARING ALTERNATOR.....	127
34. S7 LV TWO BEARING ALTERNATOR.....	133
35. S7 WLV TWO BEARING ALTERNATOR.....	139
36. S7 HV ONE BEARING ALTERNATOR.....	143
37. S7 HV TWO BEARING ALTERNATOR.....	145
38. P80 ONE BEARING ALTERNATOR.....	147
39. P80 TWO BEARING ALTERNATOR.....	149
40. S9 LV ONE BEARING ALTERNATOR.....	153
41. S9 LV TWO BEARING ALTERNATOR.....	155
42. S9 HV ONE BEARING ALTERNATOR.....	159
43. S9 HV TWO BEARING ALTERNATOR.....	161
44. ACCESSORIES.....	165

1 Foreword

1.1 General

This manual applies to alternators produced by Cummins Generator Technologies LTD (CGT). Alternators are identified by their model number. Each part or assembly is illustrated and is identified by a reference number corresponding to the list of part numbers in the accompanying table.

Alternator parts that have been modified or added by Cummins are identified in this manual. Contact your nearest authorized distributor for assistance in ordering replacement parts by referring to the item nameplate and supplying all available information.

To access operator manuals and technical information or for technical assistance and service support, visit www.stamford-avk.com or contact emea.service@cummins.com.

1.2 Model Identification

This manual covers alternator models produced by under the Cummins Generator Technologies LTD (CGT) STAMFORD® branded alternators.

To avoid errors or delay in filling your parts order, always state the MODEL and SERIAL NUMBER from the Alternator nameplate.

The alternator serial number is located on a data tag on the alternator.

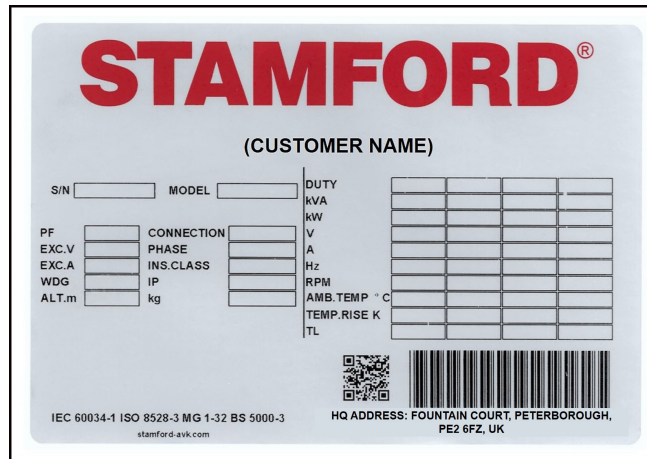


FIGURE 1. ALTERNATOR RATING PLATE

1.3 Abbreviations

Some of the following abbreviations may be used throughout this manual:

AVR - Automatic voltage regulator

DE - Drive end

PMG - Permanent magnet generator

SAE - Society of automotive engineers

FWD/REV - Forward and reverse

RTD - Resistance temperature detector

CT - Current transformer

EBS - Excitation boost system

NDE - Non-drive end

QMSN - Quote manufacturer serial number

C/W - Complete with

A/F - Air filter

RFI -

1.4 Recommended Service Parts

Recommended service part information is now included in the parts information tables. The information includes stock codes for dealers/suppliers and an indication if the part is a recommended service part.

Adding the stock code information to this parts manual removes the requirement for separate Recommended Stock Lists (RSL) documents which will be obsoleted and discontinued for STAMFORD® alternators from 2024.

TABLE 1. PARTS CLASSIFICATION AND TYPE CODES

Classification	Type
A = Recommended stock at dealer level.	SC = System Critical
B = Recommended stock at distributor level.	M = Maintenance
C = Recommended stock at PDC level.	R = Repair

2 Planned Maintenance Kits

Recommended parts kits for the 30,000 hour service interval / 5 years maintenance.

TABLE 2. PLANNED MAINTENANCE KITS

Model(s)	Bearings	Description	Part No.	Qty.
S1, P0, P1	1	30,000 Hour Service Kit	A051C107	1
P0, P1	2	30,000 Hour Service Kit	A051C115	1
S0	1	30,000 Hour Service Kit	A054N489	1
UC22	1	30,000 Hour Service Kit	A051C212	1
UC22	2	30,000 Hour Service Kit	A051C216	1
UC27	1	30,000 Hour Service Kit	A051C218	1
UC27	2	30,000 Hour Service Kit	A051C222	1
HC4, S4	1	30,000 Hour Service Kit	A051C225	1
HC4, S4	2	30,000 Hour Service Kit	A051C230	1
HC5, S5, S5L1D	1	30,000 Hour Service Kit (Sealed)	A051C232	1
HC5, S5	2	30,000 Hour Service Kit (Sealed)	A051C234	1
HC5, S5	1	30,000 Hour Service Kit (Regreasable)	A051Z125	1
HC5, S5	2	30,000 Hour Service Kit (Regreasable)	A051Z131	1
HC6, S6, S6L1D G-H Cores	1	30,000 Hour Service Kit (Sealed)	A051C237	1
HC6, S6, S6L1D G-H Cores	2	30,000 Hour Service Kit (Sealed)	A051C243	1
S6L1D C-F Cores	2	30,000 Hour Service Kit (Sealed)	A059R029	1
HC6, S6	1	30,000 Hour Service Kit (Regreasable)	A051Z133	1
HC6, S6	2	30,000 Hour Service Kit (Regreasable)	A051Z137	1
P7, S7	1	30,000 Hour Service Kit (Sealed)	A051Z145	1
P7, S7	2	30,000 Hour Service Kit (Regreasable)	A051C251	1
P7 A-E Cores	2	30,000 Hour Service Kit (Regreasable)	A051C255	1
P7 F-G Cores, S7 G-J Cores	2	30,000 Hour Service Kit (Regreasable)	A051C257	1
P80	1	30,000 Hour Service Kit	A051C282	1
P80 RST Cores	2	30,000 Hour Service Kit	A051C285	1
P80 XYZ Cores	2	30,000 Hour Service Kit	A051C291	1
S9	1	30,000 Hour Service Kit	A065P433	1
S9 B-D Cores	2	30,000 Hour Service Kit	A065P434	1
S9 E-F Cores	2	30,000 Hour Service Kit	A065P435	1
S9 G-H Cores	2	30,000 Hour Service Kit	A065P436	1

-

This page is intentionally blank.

3 P0 - One Bearing Alternator

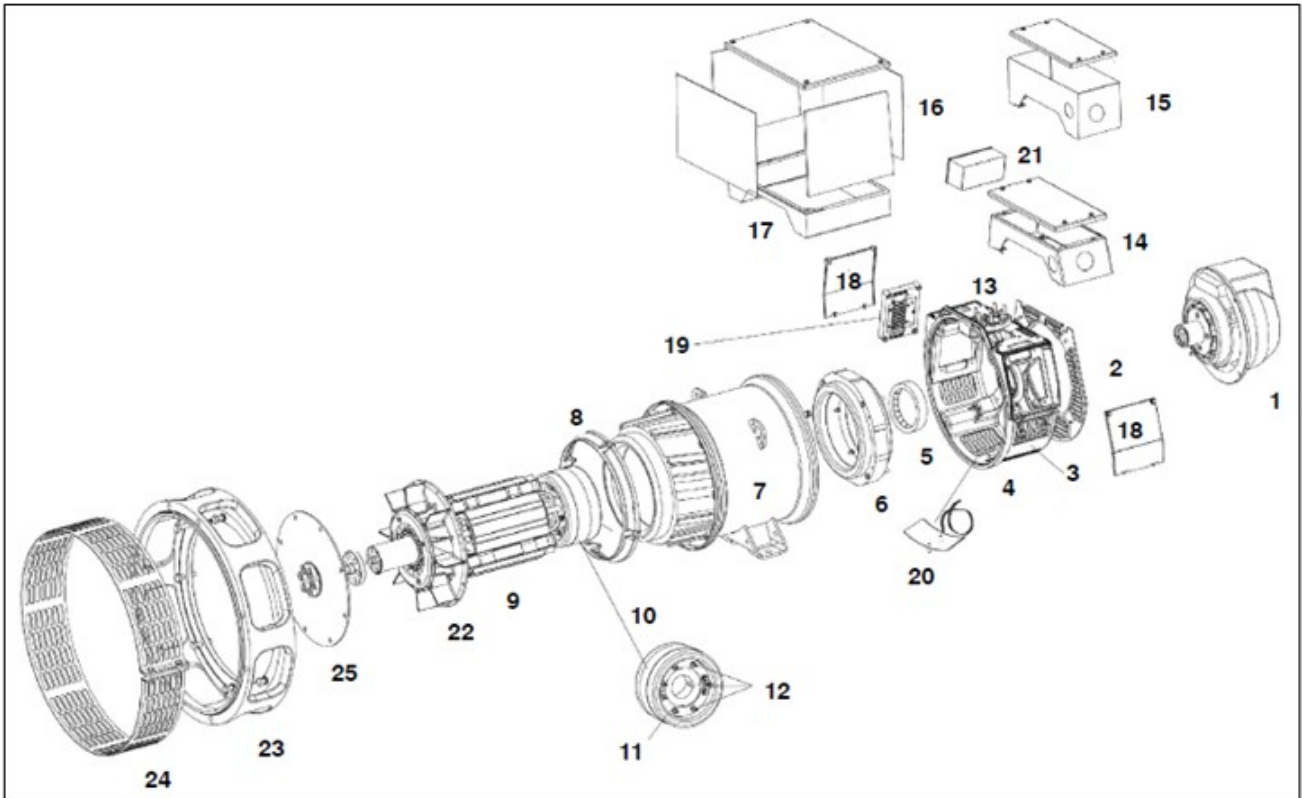


FIGURE 2. P0 - ONE BEARING ALTERNATOR PARTS DRAWING

TABLE 3. P0 - ONE BEARING ALTERNATOR PARTS LIST

Item	Part No.	Description	Qty.	Recommended Service Part	RSL Class	RSL Type
1	E000-14831	EBS Module Only For 45-1210 And 45-1212	1	-	-	-
1	E000-14851	EBS Module Only For 45-1211 And 45-1213	1	-	-	-
1	45-1210	EBS Unit (4 Pole)	1	Yes	-	-
1	45-1211	EBS Unit (Cummins PCC 1302-4 Pole)	1	Yes	-	-
1	45-1212	EBS Unit (2 Pole)	1	Yes	-	-
1	45-1213	EBS Unit (Cummins PCC 1302-2 Pole)	1	Yes	-	-
2	191-10045	NDE Cover For Use Without EBS (Not Shown)	1	-	-	-
2	191-10061	NDE Cover For Use With EBS	1	-	-	-
3	190-10018	NDE End Bracket Bottom Cover	1	-	-	-
4	190-10025	NDE End Bracket	1	-	-	-
5	45-0866	Bearing Kit	1	Yes	B	M

Item	Part No.	Description	Qty.	Recommended Service Part	RSL Class	RSL Type
6	190-1038	Exciter Stator 20mm (D-F)	1	-	-	-
6	190-1039	Exciter Stator 25mm (G-H)	1	-	-	-
6	A052f554	Exciter Stator 20mm Severe Environmental	1	-	-	-
6	A052F649	Exciter Stator 25mm Severe Environmental	1	-	-	-
7	QMSN	Stator Frame Assembly	1	-	-	-
8	191-10091	Air Flow Baffle	1	-	-	-
9	QMSN	Rotor Shaft Assembly	1	-	-	-
10	190-1040	Exciter Rotor 20mm (D-F)	1	-	-	-
10	190-1041	Exciter Rotor 25mm (G-H)	1	-	-	-
11	45-0427	Rotating Rectifier Assembly	1	Yes	B	SC
12	RSK-1101	Diode Forward/Reverse And Varistor Kit	1	Yes	A	SC
13	191-10057	Terminal Board	1	-	-	-
14	45-1165	Standard Terminal Box Kit (D)	1	-	-	-
15	45-1206	Tall Terminal Box Kit	1	-	-	-
16	45-1166	Large Terminal Box Kit	1	-	-	-
17	45-1175	Terminal Box Plinth (Included In Item 16)	1	-	-	-
18	190-10027	AVR Cover	2	-	-	-
19	E000-14808/1P	AVR AS480 UL Approved Only Supplied	1	Yes	A	SC
20	45-1161	Heater Kit 230v	1	-	-	-
20	45-1162	Heater Kit 115v	1	-	-	-
20	45-1163	Heater Kit 24v	1	-	-	-
20	45-1164	Heater Kit 12v	1	-	-	-
20	A040G608	Heater Kit 230v To Include Terminal Box For Retrofit	1	-	-	-
20	A040G612	Heater Kit 115v To Include Terminal Box For Retrofit	1	-	-	-
20	A040G614	Heater Kit 24v To Include Terminal Box For Retrofit	1	-	-	-
20	A040G618	Heater Kit 12v To Include Terminal Box For Retrofit	1	-	-	-
21	45-1205	Heater Terminal Box For Retrofit Not Included In Heater Kits (Item 20)	1	-	-	-
22	191-10042	Fan 290mm	1	-	-	-
23	45-1190	Adapter Kit SAE 2	1	-	-	-

Item	Part No.	Description	Qty.	Recommended Service Part	RSL Class	RSL Type
23	45-1191	Adapter Kit SAE 3	1	-	-	-
23	45-1192	Adapter Kit SAE 4 (D-G)	1	-	-	-
23	45-1193	Adapter Kit SAE 5	1	-	-	-
23	45-1194	Adapter Kit SAE 6	1	-	-	-
23	45-1195	Adapter Kit SAE 5 (Spacer 26 Wide Lister Alpha)	1	-	-	-
23	45-1196	Adapter Kit SAE 5 (Spacer 51.5 Wide Lister Alpha)	1	-	-	-
23	45-1197	Adapter Kit SAE 4 (Spacer 28.5)	1	-	-	-
23	45-1198	Adapter Kit (AIFO)	1	-	-	-
23	45-1199	Adapter Kit (GM)	1	-	-	-
24	See Item 19	Adapter Screen Included In Kit	1	-	-	-
25	45-1170	Coupling Kit SAE 6.5 (3mm)	1	-	-	-
25	45-1171	Coupling Kit SAE 7.5	1	-	-	-
25	45-1172	Coupling Kit SAE 8 (3mm)	1	-	-	-
25	45-1173	Coupling Kit SAE 10 (3mm)	1	-	-	-
25	45-1181	Coupling Kit SAE 6.5 (3mm) (For SAE6 Adaptor)	1	-	-	-
25	45-1183	Coupling Kit SAE 6.5 (Dished Disc) An13.3	1	-	-	-
25	45-1184	Coupling Kit SAE 7.5 (Dished Disc) An13.3	1	-	-	-
25	45-1185	Coupling Kit SAE 6.5 (Dished Disc) An30.2	1	-	-	-
25	45-1186	Coupling Kit SAE 7.5 (Dished Disc) An30.2	1	-	-	-
25	45-1188	Coupling Kit (GM Adapter Up To G)	1	-	-	-
25	45-1204	Coupling Kit SAE 7.5 (3mm) (D)	1	-	-	-
25	45-1209	Coupling Kit SAE 7.5 (3mm) (D)	1	-	-	-
Not Shown	A046Z017	Anti fretting Paste	1	Yes	-	-

-

This page is intentionally blank.

4 P0 - Two Bearing Alternator

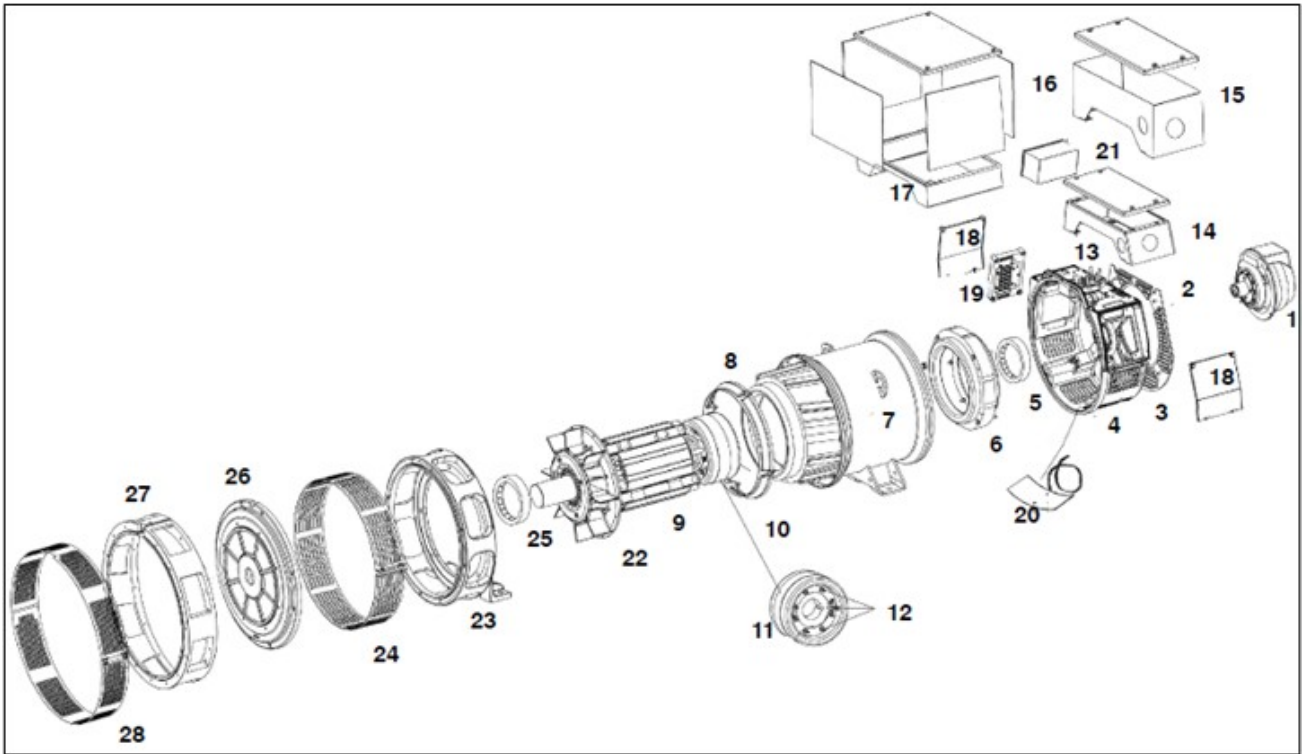


FIGURE 3. P0 - TWO BEARING ALTERNATOR PARTS DRAWING

TABLE 4. P0 - TWO BEARING ALTERNATOR PARTS LIST

Item	Part No.	Description	Qty.	Recommended Service Part	RSL Class	RSL Type
1	45-1210	EBS Unit (4 Pole)	1	Yes	-	-
1	45-1211	EBS Unit (Cummins PCC 1302-4 Pole)	1	Yes	-	-
1	45-1212	EBS Unit (2 Pole)	1	Yes	-	-
1	45-1213	EBS Unit (Cummins PCC 1302-2 Pole)	1	Yes	-	-
1	E000-14831	EBS Module Only For 45-1210 and 45-1212	1	-	-	-
1	E000-14851	EBS Module Only For 45-1211 And 45-1214	1	-	-	-
2	191-10045	NDE Cover For Use Without EBS (Not Shown)	1	-	-	-
2	191-10061	NDE Cover For Use With EBS	1	-	-	-
3	190-10018	NDE End Bracket Bottom Cover	1	-	-	-
4	190-10025	NDE End Bracket	1	-	-	-
5	45-0866	Bearing Kit	1	Yes	B	M
6	190-1038	Exciter Stator 20mm (D-F)	1	-	-	-

Item	Part No.	Description	Qty.	Recommended Service Part	RSL Class	RSL Type
6	190-1039	Exciter Stator 25mm (G-H)	1	-	-	-
6	A052F554	Exciter Stator 20mm Severe Environmental	1	-	-	-
6	A052F650	Exciter Stator 25mm Severe Environmental	1	-	-	-
7	QMSN	Stator Frame Assembly	1	-	-	-
8	191-10091	Air Flow Baffle	1	-	-	-
9	QMSN	Rotor Shaft Assembly	1	-	-	-
10	190-1040	Exciter Rotor 20mm (D-F)	1	-	-	-
10	190-1041	Exciter Rotor 25mm (G-H)	1	-	-	-
11	45-0427	Rotating Rectifier Assembly	1	Yes	B	SC
12	RSK-1101	Diode Forward/Reverse And Varistor Kit	1	Yes	A	SC
13	191-10057	Terminal, Board	1	-	-	-
14	45-1165	Standard Terminal Box Kit (D)	1	-	-	-
15	45-1206	Tall Terminal Box Kit	1	-	-	-
16	45-1166	Large Terminal Box Kit	1	-	-	-
17	45-1175	Terminal Box Plinth (Included in Item 16)	1	-	-	-
18	190-10027	AVR Cover	2	-	-	-
19	E000-14808/1P	AVR AS480 UL Approved Only Supplied	1	Yes	A	SC
20	45-1161	Heater Kit 230v	1	-	-	-
20	45-1162	Heater Kit 115v	1	-	-	-
20	45-1163	Heater Kit 24v	1	-	-	-
20	45-1164	Heater Kit 12v	1	-	-	-
20	A040G608	Heater Kit 230v To Include Terminal Box for Retrofit	1	-	-	-
20	A040G612	Heater Kit 115v To Include Terminal Box For Retrofit	1	-	-	-
20	A040G614	Heater Kit 24v To Include Terminal Box For Retrofit	1	-	-	-
20	A040G618	Heater Kit 12v To Include Terminal Box For Retrofit	1	-	-	-
21	45-1205	Heater Terminal Box for Retrofit Not Included In Heater Kits (Item 20)	1	-	-	-
22	191-10042	Fan 290mm	1	-	-	-
23	190-10043	DE Bracket	1	-	-	-
24	190-10016	DE Screen	1	-	-	-
25	45-0363	DE Bearing Kit	1	-	-	-

Item	Part No.	Description	Qty.	Recommended Service Part	RSL Class	RSL Type
26	190-10044	DE End-Plate	1	-	-	-
27	45-1200	Adapter Kit SAE 2	1	-	-	-
27	45-1201	Adapter Kit SAE 3	1	-	-	-
27	45-1202	Adapter Kit SAE 4	1	-	-	-
27	45-1203	Adapter Kit SAE 5	1	-	-	-
28	See Item 27	Adaptor Screen Included In Kit	1	-	-	-

-

This page is intentionally blank.

5 P1 - One Bearing Alternator

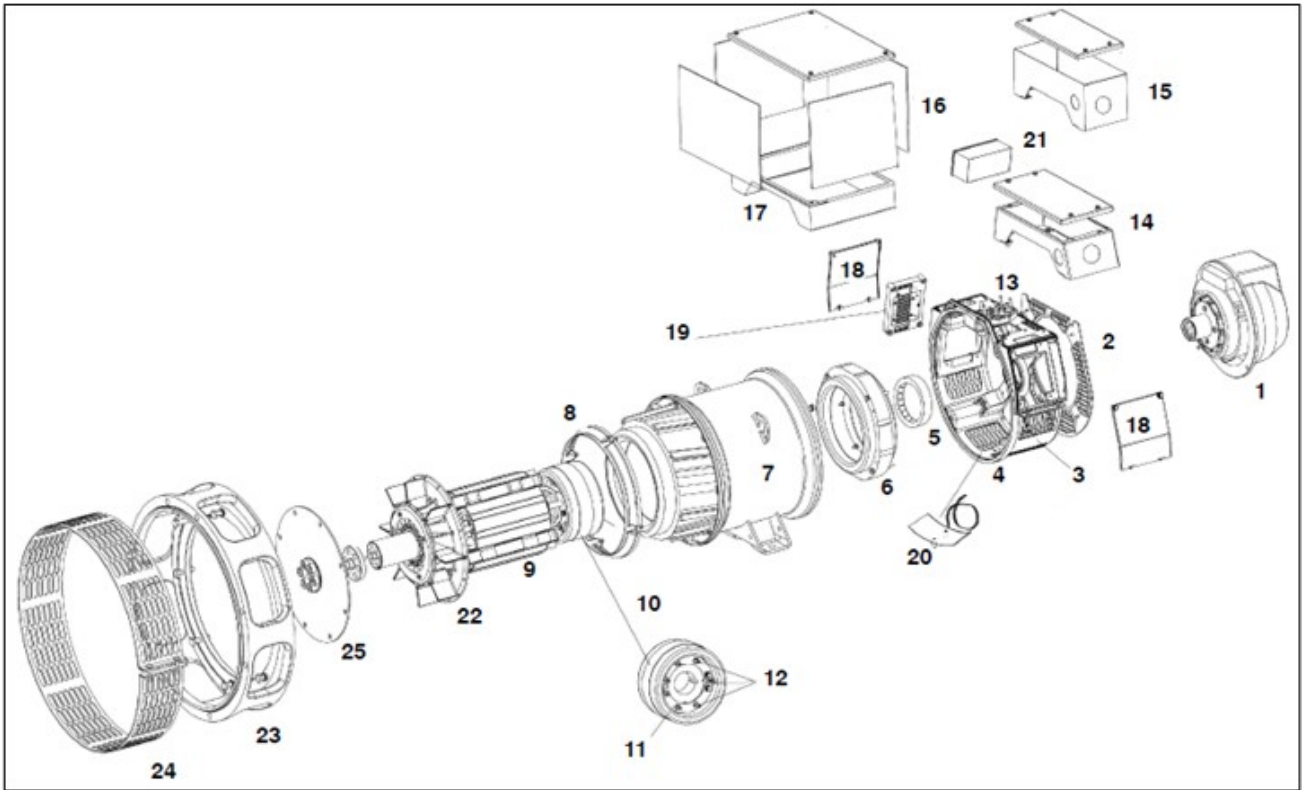


FIGURE 4. P1 - ONE BEARING ALTERNATOR PARTS DRAWING

TABLE 5. P1 - ONE BEARING ALTERNATOR PARTS LIST

Item	Part No.	Description	Qty.	Recommended Service Part	RSL Class	RSL Type
1	45-1210	EBS Unit (4 Pole)	1	Yes	-	-
1	45-1211	EBS Unit (Cummins PCC 1302-4 Pole)	1	Yes	-	-
1	45-1212	EBS Unit (2 Pole)	1	Yes	-	-
1	45-1213	EBS Unit (Cummins PCC 1302-2 Pole)	1	Yes	-	-
1	E000-14831	EBS Module Only For 45-1210 And 45-1212	1	-	-	-
1	E000-14851	EBS Module Only For 45-1211 And 45-1213	1	-	-	-
2	191-10045	NDE Cover For Use Without EBS (Not Shown)	1	-	-	-
2	191-10061	NDE Cover For Use With EBS	1	-	-	-
3	190-10018	NDE Endbracket Bottom Cover (D)	1	-	-	-
3	190-10035	NDE Endbracket Bottom Cover (E-K)	1	-	-	-
4	190-10025	NDE Endbracket (D)	1	-	-	-

Item	Part No.	Description	Qty.	Recommended Service Part	RSL Class	RSL Type
4	191-10055	NDE Endbracket (E-K)	1	-	-	-
5	45-0866	Bearing Kit	1	Yes	B	M
6	190-1039	Exciter Stator 25mm (D)	1	-	-	-
6	191-1067	Exciter Stator 30mm (E)	1	-	-	-
6	191-1068	Exciter Stator 34mm (F-G)	1	-	-	-
6	191-1069	Exciter Stator 38mm (H-K)	1	-	-	-
6	A052F650	Exciter Stator 25mm Severe Environmental (D)	1	-	-	-
6	A052F652	Exciter Stator 30mm Severe Environmental (E)	1	-	-	-
6	A052F660	Exciter Stator 34mm Severe Environmental (F-G)	1	-	-	-
6	A052F805	Exciter Stator 38mm Severe Environmental (H-K)	1	-	-	-
7	QMSN	Stator Frame Assembly	1	-	-	-
8	191-10091	Air Flow Baffle	1	-	-	-
9	QMSN	Rotor Shaft Assembly	1	-	-	-
10	190-1041	Exciter Rotor 25mm (G-H)	1	-	-	-
10	191-1063	Exciter Rotor 34mm (F-G)	1	-	-	-
10	191-1064	Exciter Rotor 38mm (H-K)	1	-	-	-
10	191-1072	Exciter Rotor 30mm (E)	1	-	-	-
11	45-0427	Rotating Rectifier Assembly	1	Yes	B	SC
12	RSK-1101	Diode Forward/Reverse And Varistor Kit	1	Yes	A	SC
13	191-10057	Terminal, Board	1	-	-	-
14	45-1165	Standard Terminal Box Kit (D)	1	-	-	-
14	45-1168	Standard Terminal Box Kit (E-K)	1	-	-	-
14	45-1169	Standard Terminal Box Kit CPG Set (E-K)	1	-	-	-
15	45-1206	Tall Terminal Box Kit	1	-	-	-
16	45-1166	Large Terminal Box Kit Including Plinth (D)	1	-	-	-
16	45-1167	Large Terminal Box Kit Including Plinth (E-K)	1	-	-	-
17	45-1175	Terminal Box Plinth (D)	1	-	-	-
17	45-1176	Terminal Box Plinth (E-K)	1	-	-	-
18	190-10027	AVR Cover (D)	2	-	-	-
18	191-10056	AVR Cover (E-K)	2	-	-	-

Item	Part No.	Description	Qty.	Recommended Service Part	RSL Class	RSL Type
19	E000-14808/1P	AVR AS480 UL Approved Only Supplied	1	Yes	A	SC
20	45-1161	Heater Kit 230v	1	-	-	-
20	45-1162	Heater Kit 115v	1	-	-	-
20	45-1163	Heater Kit 24v	1	-	-	-
20	45-1164	Heater Kit 12v	1	-	-	-
20	A040G608	Heater Kit 230v To Include Terminal Box For Retrofit	1	-	-	-
20	A040G612	Heater Kit 115v To Include Terminal Box For Retrofit	1	-	-	-
20	A040G614	Heater Kit 24v To Include Terminal Box For Retrofit	1	-	-	-
20	A040G618	Heater Kit 12v To Include Terminal Box For Retrofit	1	-	-	-
21	45-1205	Heater Terminal Box For Retrofit Not Included In Heater Kits (Item 20)	1	-	-	-
22	191-10042	Fan 290mm (D-G)	1	-	-	-
22	191-10059	Fan 344mm (H-K)	1	-	-	-
23	45-1190	Adapter Kit SAE 2	1	-	-	-
23	45-1191	Adapter Kit SAE 3	1	-	-	-
23	45-1192	Adapter Kit SAE 4 (D-G)	1	-	-	-
23	45-1193	Adapter Kit SAE 5	1	-	-	-
23	45-1194	Adapter Kit SAE 6	1	-	-	-
23	45-1195	Adapter Kit SAE 5 (Spacer 26 Wide Lister Alpha)	1	-	-	-
23	45-1196	Adapter Kit SAE 5 (Spacer 51.5 Wide Lister Alpha)	1	-	-	-
23	45-1197	Adapter Kit SAE 4 (Spacer 28.5)	1	-	-	-
23	45-1198	Adapter Kit (AIFO)	1	-	-	-
23	45-1199	Adapter Kit (GM)	1	-	-	-
24	See Item 23	Adapter Screen Included In Kit	1	-	-	-
25	45-1170	Coupling Kit SAE 6.5 (3mm)	1	-	-	-
25	45-1171	Coupling Kit SAE 7.5	1	-	-	-
25	45-1172	Coupling Kit SAE 8 (3mm)	1	-	-	-
25	45-1173	Coupling Kit SAE 10 (3mm)	1	-	-	-
25	45-1174	Coupling Kit SAE 11.5 (3mm)	1	-	-	-
25	45-1180	Coupling Kit Lister/Alpha (Use With 45-1195 Only)	1	-	-	-

Item	Part No.	Description	Qty.	Recommended Service Part	RSL Class	RSL Type
25	45-1181	Coupling Kit SAE 6.5 (3mm) (For SAE6 Adaptor)	1	-	-	-
25	45-1183	Coupling Kit SAE 6.5 (Dished Disc) AN13.3	1	-	-	-
25	45-1184	Coupling Kit SAE 7.5 (Dished Disc) AN13.3	1	-	-	-
25	45-1185	Coupling Kit SAE 6.5 (Dished Disc) AN30.2	1	-	-	-
25	45-1186	Coupling Kit SAE 7.5 (Dished Disc) AN30.2	1	-	-	-
25	45-1188	Coupling Kit (GM Adapter Up To G)	1	-	-	-
25	45-1204	Coupling Kit SAE 7.5 (Kubota) (1.2mm)	1	-	-	-
25	45-1209	Coupling Kit SAE 7.5 (3mm) (D)	1	-	-	-

6 P1 - Two Bearing Alternator

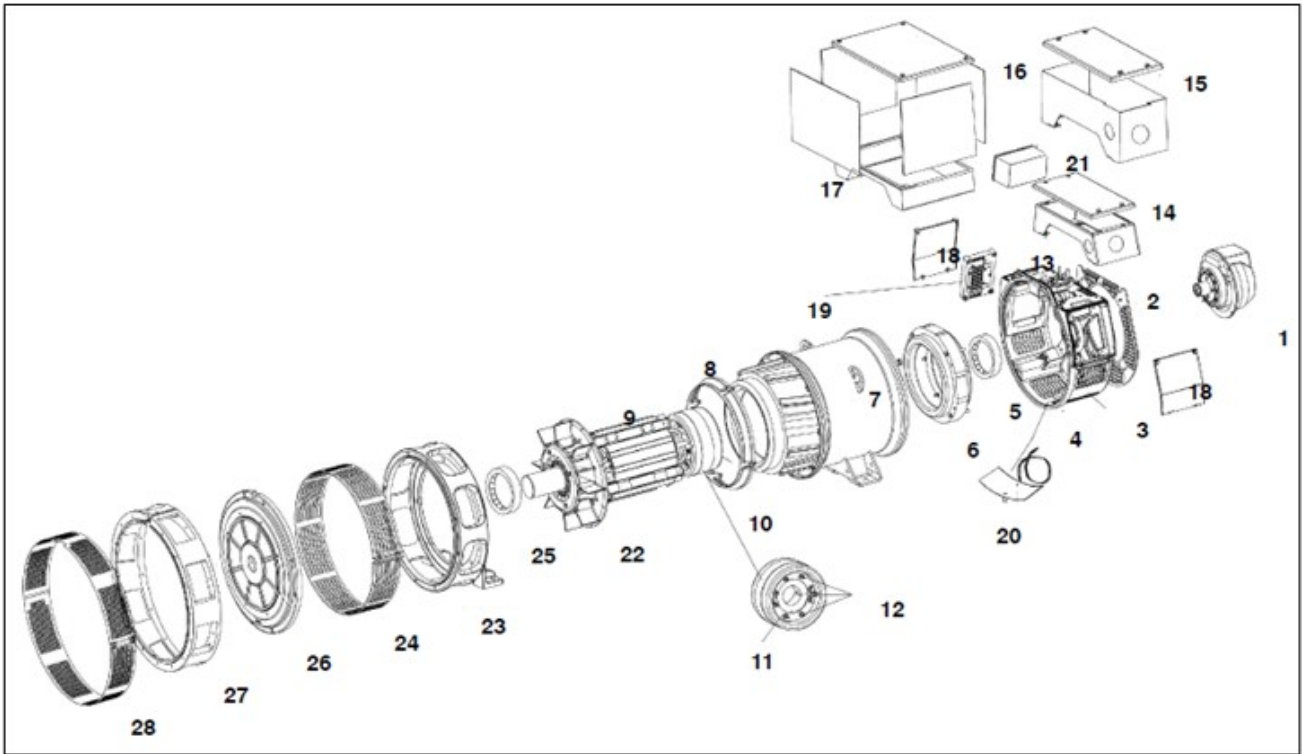


FIGURE 5. P1 - TWO BEARING ALTERNATOR PARTS DRAWING

TABLE 6. P1 - TWO BEARING ALTERNATOR PARTS LIST

Item	Part No.	Description	Qty.	Recommended Service Part	RSL Class	RSL Type
1	45-1210	EBS Unit (4 Pole)	1	Yes	-	-
1	45-1211	EBS Unit (Cummins PCC 1302-4 Pole)	1	Yes	-	-
1	45-1212	EBS Unit (2 Pole)	1	Yes	-	-
1	45-1213	EBS Unit (Cummins PCC 1302-2 Pole)	1	Yes	-	-
1	E000-14831	EBS Module Only For 45-1210 And 45-1212	1	-	-	-
1	E000-14851	EBS Module Only For 45-1211 And 45-1213	1	-	-	-
2	191-10045	NDE Cover For Use Without EBS (Not Shown)	1	-	-	-
2	191-10061	NDE Cover For Use With EBS	1	-	-	-
3	190-10018	NDE Endbracket Bottom Cover (D)	1	-	-	-
3	190-10035	NDE Endbracket Bottom Cover (F-K)	1	-	-	-
4	190-10025	NDE Endbracket (D)	1	-	-	-

Item	Part No.	Description	Qty.	Recommended Service Part	RSL Class	RSL Type
4	191-10055	NDE Endbracket (E-K)	1	-	-	-
5	45-0866	Bearing Kit	1	Yes	B	M
6	190-1039	Exciter Stator 25mm (D)	1	-	-	-
6	191-1067	Exciter Stator 30mm (E)	1	-	-	-
6	191-1068	Exciter Stator 34mm (F-G)	1	-	-	-
6	191-1069	Exciter Stator 38mm (H-K)	1	-	-	-
6	A052F650	Exciter Stator 25mm Severe Environmental (D)	1	-	-	-
6	A052F652	Exciter Stator 30mm Severe Environmental (E)	1	-	-	-
6	A052F660	Exciter Stator 34mm Severe Environmental (F-G)	1	-	-	-
6	A052F805	Exciter Stator 38mm Severe Environmental (H-K)	1	-	-	-
7	QMSN	Stator Frame Assembly	1	-	-	-
8	191-10091	Air Flow Baffle	1	-	-	-
9	QMSN	Rotor Shaft Assembly	1	-	-	-
10	190-1041	Exciter Rotor 25mm (D)	1	-	-	-
10	191-1063	Exciter Rotor 34mm (F-G)	1	-	-	-
10	191-1064	Exciter Rotor 38mm (H-K)	1	-	-	-
10	191-1072	Exciter Rotor 30mm (E)	1	-	-	-
11	45-0427	Rotating Rectifier Assembly	1	Yes	B	SC
12	RSK-1101	Diode Forward/Reverse And Varistor Kit	1	Yes	A	SC
13	191-10057	Terminal, Board	1	-	-	-
14	45-1165	Standard Terminal Box Kit (D)	1	-	-	-
14	45-1168	Standard Terminal Box Kit (E-K)	1	-	-	-
14	45-1169	Standard Terminal Box Kit CPG Set (E-K)	1	-	-	-
15	45-1206	Tall Terminal Box Kit	1	-	-	-
16	45-1166	Large Terminal Box Kit Including Plinth (D)	1	-	-	-
16	45-1167	Large Terminal Box Kit Including Plinth (E-K)	1	-	-	-
17	45-1175	Terminal Box Plinth (D)	1	-	-	-
17	45-1176	Terminal Box Plinth (E-K)	1	-	-	-
18	190-10027	AVR Cover (D)	2	-	-	-
18	191-10056	AVR Cover (E-K)	2	-	-	-

Item	Part No.	Description	Qty.	Recommended Service Part	RSL Class	RSL Type
19	E000-14808/1P	AVR AS480 UL Approved Only Supplied	1	Yes	A	SC
20	45-1161	Heater Kit 230v	1	-	-	-
20	45-1162	Heater Kit 115v	1	-	-	-
20	45-1163	Heater Kit 24v	1	-	-	-
20	45-1164	Heater Kit 12v	1	-	-	-
20	A040G608	Heater Kit 230v To Include Terminal Box For Retrofit	1	-	-	-
20	A040G612	Heater Kit 115v To Include Terminal Box For Retrofit	1	-	-	-
20	A040G614	Heater Kit 24v To Include Terminal Box For Retrofit	1	-	-	-
20	A040G618	Heater Kit 12v To Include Terminal Box For Retrofit	1	-	-	-
21	45-1205	Heater Terminal Box For Retrofit Not Included In Heater Kits (Item 20)	1	-	-	-
22	191-10042	Fan 290mm (D-G)	1	-	-	-
22	191-10059	Fan 290mm (H-K)	1	-	-	-
23	191-10119	DE Bracket	1	-	-	-
24	191-10029	DE Bracket Screen	1	-	-	-
25	45-0363	DE Bearing Kit	1	-	-	-
26	191-10029	DE Endplate (D-G)	1	-	-	-
27	45-1200	Adapter Kit SAE 2	1	-	-	-
27	45-1201	Adapter Kit SAE 3	1	-	-	-
27	45-1202	Adapter Kit SAE 4	1	-	-	-
27	45-1203	Adapter Kit SAE 5	1	-	-	-
28	See Item 27	Adapter Screen Included In Kit	1	-	-	-

-

This page is intentionally blank.

7 S0L1 - One Bearing Alternator

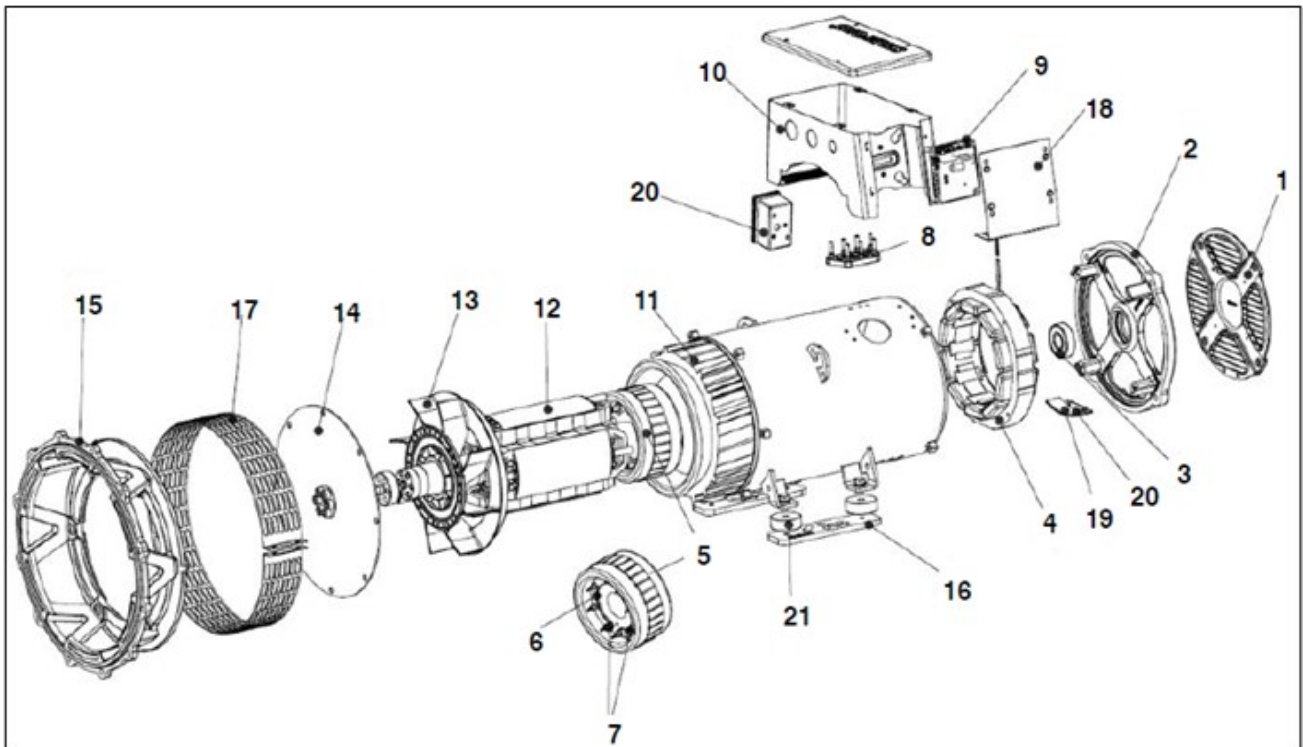


FIGURE 6. S0L1 - ONE BEARING ALTERNATOR PARTS DRAWING

TABLE 7. S0L1 - ONE BEARING ALTERNATOR PARTS LIST

Item	Part No.	Description	Qty.	Recommended Service Part	RSL Class	RSL Type
1	A052E628	Cover, End	1	-	-	-
2	A051P115	Bracket, End, F0, NDE	1	-	-	-
3	A054H811	Kit, Bearing, F1, NDE, S0L2, 1 Bearing	1	Yes	B	M
4	A052J112	Exciter Stator 30mm (D,H,J)	1	Yes	C	SC
4	A052J113	Exciter Stator 35mm (L,P,S)	1	Yes	C	SC
5	A052J677	Exciter Stator 30mm (D,H,J)	1	-	-	-
5	A052J678	Exciter Rotor 35mm (L,P,S)	1	-	-	-
6	A051C308	Rectifier, Rotor, F0	1	Yes	B	SC
7	A054H820	Kit, Diode Repair, F1	1	Yes	A	SC
8	A054H831	Terminal Board Kit (1 And 3 Phase)	1	-	-	-
9	A059F437	AVR AS540 Kit	1	Yes	A	SC
10	A052X170	Terminal Enclosure, F0, IP23	1	-	-	-
11	QMSN	Wound Main Stator With Frame Assembly	1	-	-	-

Item	Part No.	Description	Qty.	Recommended Service Part	RSL Class	RSL Type
12	QMSN	Wound Main Rotor With Complete Assembly	1	-	-	-
13	A052F581	Fan, F0, 1, CTRF250	1	-	-	-
14	A052W626	Coupling Kit, F0, SAE 10, 1 Bearing	1	-	-	-
14	A052W676	Coupling Kit, F0, SAE 11.5, 1 Bearing	1	-	-	-
14	A052W678	Coupling Kit, F0, SAE 7.5, 1 Bearing	1	-	-	-
14	A053E721	Coupling Kit, F0, SAE 6.5, 1 Bearing	1	-	-	-
15	A052V920	Adapter Kit, F0, SAE 4, 1 Bearing	1	-	-	-
15	A053E622	Adapter Kit, F0, SAE 3, 1 Bearing	1	-	-	-
15	A053E624	Adapter Kit, F0, SAE 5, 1 Bearing	1	-	-	-
16	A052X624	Generator Base Plate (Foot Plates Only) Kit	1	-	-	-
17	A054L239	DE Screen SAE 3	1	-	-	-
17	A054L242	DE Screen SAE 4	1	-	-	-
17	A054L246	DE Screen SAE 5	1	-	-	-
18	A052F476	Panel, Terminal Encl, F0, SD, IP23	1	-	-	-
19	A053L646	Heater Cartridge 25.0w, 12VAC, 0VDC	1	-	-	-
19	A053L668	Heater Cartridge 25.0w, 12VAC, 0VDC	1	-	-	-
19	A053P092	Heater Cartridge 25.0W, 115VAC, 0VDC	1	-	-	-
19	A053P101	Heater Cartridge 25.0W, 230VAC, 0VDC	1	-	-	-
20	A054K278	Kit, Heater F0, 12V	1	-	-	-
20	A054K280	Kit, Heater F0, 24V	1	-	-	-
20	A054K282	Kit, Heater F0, 115V	1	-	-	-
20	A054K284	Kit, Heater F0, 230V	1	-	-	-
21	A051L180	28mm Height Spacer Block	4	-	-	-
Not Shown	45-0280	Anti Fretting Paste	1	Yes	-	-

8 S0L2 - One Bearing Alternator

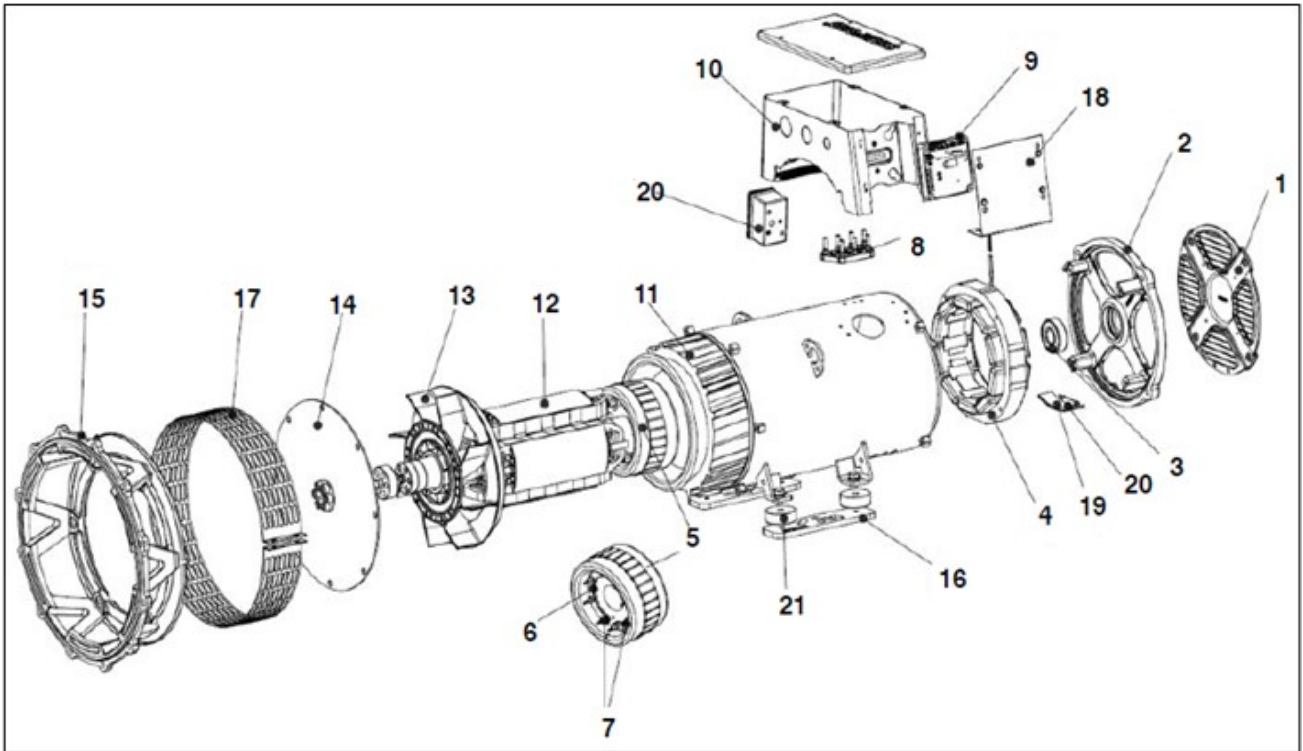


FIGURE 7. S0L2 - ONE BEARING ALTERNATOR PARTS DRAWING

TABLE 8. S0L2 - ONE BEARING ALTERNATOR PARTS LIST

Item	Part No.	Description	Qty.	Recommended Service Part	RSL Class	RSL Type
1	A052E626	Cover, End	1	-	-	-
2	A051P111	Bracket, End, F1, NDE	1	-	-	-
3	A054H811	Kit, Bearing, F1, NDE, S0L2, 1 Bearing	1	Yes	B	M
4	A051G465	Exciter Stator 25mm (F,G,K)	1	Yes	C	SC
4	A051G467	Exciter Stator 30mm (M)	1	Yes	C	SC
4	A051L225	Exciter Stator 34mm (P,U)	1	Yes	C	SC
5	190-1041	Exciter Rotor 25mm (F,G,K)	1	-	-	-
5	191-1063	Exciter Rotor 34mm (P,U)	1	-	-	-
5	191-1072	Exciter Rotor 30mm (M)	1	-	-	-
6	A054H816	Kit, Rotator Rectifier, F1	1	-	-	-
7	A054H820	Kit, Diode Repair, F1	1	Yes	A	SC
8	A054H831	Terminal Board Kit (1 And 3 Phase)	1	-	-	-
9	A059F437	AVR AS540 Kit	1	Yes	A	SC
10	A052X183	Terminal Enclosure F1, IP123	1	-	-	-

Item	Part No.	Description	Qty.	Recommended Service Part	RSL Class	RSL Type
11	QMSN	Wound Main Stator With Frame Assembly	1	-	-	-
12	QMSN	Wound Main Rotor With Complete Assembly	1	-	-	-
13	A052F473	Fan, F1, 1, Ctrf295	1	-	-	-
14	A052W607	Coupling Kit SAE 11.5 (3mm x 1) (C-D)	1	-	-	-
14	A052W684	Coupling Kit, F1, SAE 10, 1 Bearing	1	-	-	-
14	A053F395	Coupling Kit, F1, SAE 7.5, 1 Bearing	1	-	-	-
14	A053F397	Coupling Kit, F1, SAE 6.5, 1 Bearing	1	-	-	-
14	A054G545	Coupling Kit SAE 11.5 (1.2mm x 4) (C-D)	1	-	-	-
15	A052V905	Adapter Kit, F1, SAE 3, 1 Bearing	1	-	-	-
15	A053F381	Adapter Kit, F1, SAE 4, 1 Bearing	1	-	-	-
15	A053F383	Adapter Kit, F1, SAE 5, 1 Bearing	1	-	-	-
16	A052X629	Generator Base Plate (Foot Plates Only) Kit	1	-	-	-
17	A054H863	DE Screen SAE3	1	-	-	-
17	A054H889	DE Screen SAE4	1	-	-	-
17	A054H900	DE Screen SAE5	1	-	-	-
18	A052H908	Panel, Terminal Enclosure F1, SD, IP23	1	-	-	-
19	A053L670	Heater, Cartridge 45.0w, 12v AC 0v DC	1	-	-	-
19	A053L675	Heater, Cartridge 45.0w, 24v AC 0v DC	1	-	-	-
19	A053L677	Heater, Cartridge 45.0w, 115v AC 0v DC	1	-	-	-
19	A053L678	Heater, Cartridge 45.0w, 230v AC 0v DC	1	-	-	-
20	A054K286	Kit, Heater, F1, 12v	1	-	-	-
20	A054K288	Kit, Heater, F1, 24v	1	-	-	-
20	A054K290	Kit, Heater, F1, 115v	1	-	-	-
20	A054K292	Kit, Heater, F1, 230v	1	-	-	-
21	A051L176	20mm Height Spacer Block	4	-	-	-
Not Shown	45-0280	Anti Fretting Paste	1	Yes	-	-

9 S1L2 - One Bearing Alternator

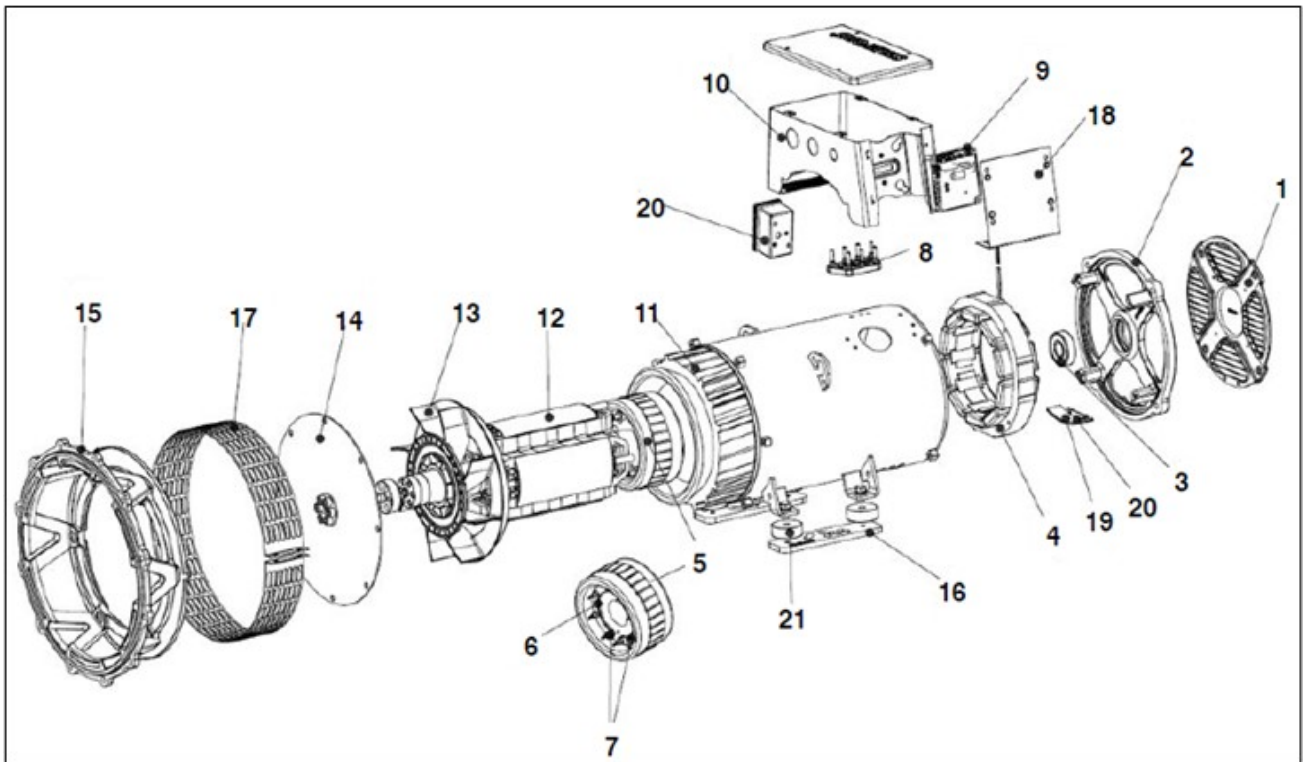


FIGURE 8. S1L2 - ONE BEARING ALTERNATOR PARTS DRAWING

TABLE 9. S1L2 - ONE BEARING ALTERNATOR PARTS LIST

Item	Part No.	Description	Qty.	Recommended Service Part	RSL Class	RSL Type
1	A052E494	Cover, End	1	-	-	-
2	A051P107	Bracket, End, F1, NDE	1	-	-	-
3	45-0866	Bearing Kit	1	Yes	B	M
4	A051L226	Exciter Stator 38mm (J,K,G,H)	1	Yes	C	SC
4	A051L227	Exciter Stator 45mm (N,R)	1	Yes	C	SC
4	A053F533	Exciter Stator 55mm (Y)	1	Yes	C	SC
5	191-1064	Exciter Rotor 38mm (J,K,G,L)	1	-	-	-
5	A051L228	Exciter Rotor 45mm (N,R)	1	-	-	-
5	A053F505	Exciter Rotor 55mm (Y)	1	-	-	-
6	45-0427	Rotating Rectifier Assembly	1	Yes	B	SC
7	RSK-1101	Diode Forward/Reverse And Varistor Kit	1	Yes	A	SC
8	A054X535	Terminal Board Kit (1 And 3 Phase)	1	-	-	-
9	A059F437	AVR AS540 Kit	1	Yes	A	SC
10	A052X197	Terminal Enclosure F1, IP23	1	-	-	-

Item	Part No.	Description	Qty.	Recommended Service Part	RSL Class	RSL Type
11	QMSN	Wound Main Stator With Frame Assembly	1	-	-	-
12	QMSN	Wound Main Rotor With Complete Assembly	1	-	-	-
13	A057R342	Fan, F0, 1, Ctrf350	1	-	-	-
14	A052W630	Coupling Kit SAE 11.5 (1.2mm x 4) (C-D)	1	-	-	-
14	A052W687	Coupling Kit SAE 10 (1.2mm x 4) (C-D)	1	-	-	-
14	A053G582	Coupling Kit SAE 11.5 (1.5mm x 3) (C-D)	1	-	-	-
14	A053G584	Coupling Kit SAE 10 (1.5mm x 3) (C-D)	1	-	-	-
14	A056L900	Coupling Kit SAE 10 (1.2mm x 4) (C-D)	1	-	-	-
14	A056L902	Coupling Kit SAE 10 (1.5mm x 3) (C-D)	1	-	-	-
14	A059B967	Coupling Kit, F1, SAE 7.5, 1 Bearing (1.2x4)	1	-	-	-
15	A052T358	Adapter Kit, F1, SAE 3, 1 Bearing	1	-	-	-
15	A053F333	Adapter Kit, F1, SAE 4, 1 Bearing	1	-	-	-
16	A052X631	Generator Base Plate (Foot Plates Only) Kit	1	-	-	-
17	A054X974	DE Screen SAE3, SAE 4	1	-	-	-
18	A052J157	Panel, Terminal Enclosure F1, SD, IP23	1	-	-	-
19	A056F851	Heater, Cartridge 80.0w, 12v AC 0v DC	1	-	-	-
19	A056F858	Heater, Cartridge 80.0w, 24v AC 0v DC	1	-	-	-
19	A056F859	Heater, Cartridge 80.0w, 115v AC 0v DC	1	-	-	-
19	A056F860	Heater, Cartridge 80.0w, 230v AC 0v DC	1	-	-	-
20	A054K294	Kit, Heater, F1, 12v	1	-	-	-
20	A054K297	Kit, Heater, F1, 24v	1	-	-	-
20	A054K299	Kit, Heater, F1, 115v	1	-	-	-
20	A054K301	Kit, Heater, F1, 230v	1	-	-	-
21	A051L176	20mm Height Spacer Block	4	-	-	-
21	A051L177	45mm Height Spacer Block	4	-	-	-
Not Shown	45-0280	Anti Fretting Paste	1	Yes	-	-

10 UCD22 - One Bearing Alternator

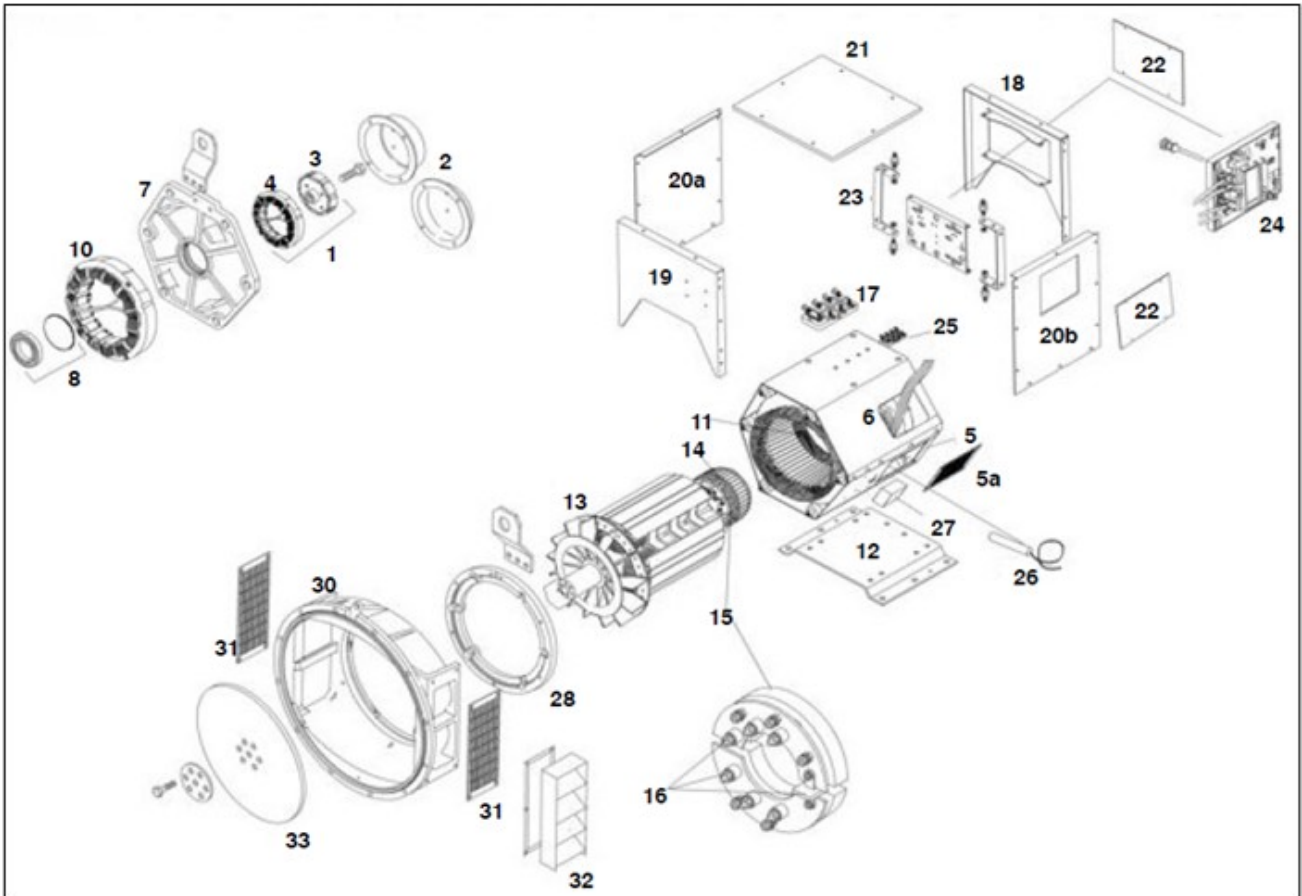


FIGURE 9. UCD22 - ONE BEARING ALTERNATOR PARTS DRAWING

TABLE 10. UCD22 - ONE BEARING ALTERNATOR PARTS LIST

Item	Part No.	Description	Qty.	Recommended Service Part	RSL Class	RSL Type
1	45-0075A	Complete PMG Upfit Kit	1	-	-	-
2	450-14360	PMG Cover (Cover Included In Above Kit)	1	-	-	-
2	450-14450	Non PMG Cover	1	-	-	-
3	45-1080	Current PMG Rotor/Stator Repair Kit	1	-	-	-
4	45-1080	Current PMG Rotor/Stator Repair Kit	1	-	-	-
5	230-10340	Main Stator Bottom Cover (C-D) (To 6/12/12)	1	-	-	-
5	230-10341	Main Stator Bottom Cover (E-F) (To 6/12/12)	1	-	-	-
5	230-10342	Main Stator Bottom Cover (G) (To 6/12/12)	1	-	-	-
5a	230-10054	Air Inlet Cover	2	-	-	-

Item	Part No.	Description	Qty.	Recommended Service Part	RSL Class	RSL Type
6	230-10336	Main Stator Top Cover (C-D) (To 6/12/12)	1	-	-	-
6	230-10337	Main Stator Top Cover (E-F) (To 6/12/12)	1	-	-	-
6	230-10338	Main Stator Top Cover (G) (To 6/12/12)	1	-	-	-
7	230-10002	NDE Bracket	1	-	-	-
8	45-0867	NDE Bearing Kit	1	-	-	-
10	230-1495	Exciter Stator 30mm (C-D)	1	-	-	-
10	230-1497	Exciter Stator 40mm (E-G)	1	-	-	-
10	A052B581	Exciter Stator 30mm Severe Environmental (C-D)	1	-	-	-
10	A052B588	Exciter Stator 40mm Severe Environmental (E-G)	1	-	-	-
11	QMSN	Main Stator Bar Assembly	1	-	-	-
12	230-10270	Foot (To 6/12/12)	1	-	-	-
13	QMSN	Main Rotor Assembly	1	-	-	-
14	210-1036	Exciter Rotor 30mm (C-D)	1	-	-	-
14	210-1037	Exciter Rotor 40mm (E-G)	1	-	-	-
15	45-0428	Rotating Rectifier Assembly	1	-	-	-
16	RSK-2001	Diode Forward/Reverse And Varistor Kit	1	Yes	A	SC
17	230-10624	Main Terminal Board 7 Pin	1	-	-	-
17	450-15617	Main Terminal Board 8 Pin	1	-	-	-
18	230-10566	Terminal Box End Panel NDE (Aperture)	1	-	-	-
18	230-10587	Terminal Box End Panel NDE (Plain)	1	-	-	-
19	230-10565	Terminal Box End Panel DE (Plain)	1	-	-	-
19	230-10599	Terminal Box End Panel DE (Aperture)	1	-	-	-
20a	230-10567	Terminal Box Side Panel (Left Hand) (Plain)	1	-	-	-
20a	230-10573	Terminal Box Side Panel (Left Hand) (Aperture)	1	-	-	-
20a	230-10578	Terminal Box Side Panel (Left Hand) (Plain) (Air Filter)	1	-	-	-
20b	230-10568	Terminal Box Side Panel (Right Hand) (Aperture)	1	-	-	-
20b	230-10569	Terminal Box Side Panel (Right Hand) (Plain) (Air Filter)	1	-	-	-

Item	Part No.	Description	Qty.	Recommended Service Part	RSL Class	RSL Type
20b	230-10575	Terminal Box Side Panel (Right Hand) (Plain)	1	-	-	-
21	230-10069	Terminal Box Lid	1	-	-	-
24	E000-23412/1P	AVR MX341	1	Yes	A	SC
24	E000-24210/1P	AVR SX421	1	Yes	A	SC
24	E000-24403/1P	AVR AS440	1	Yes	A	SC
24	E000-24403/1P	AVR AS440	1	Yes	A	SC
24	E000-24408/1P	AVR AS440 UL Approved	1	Yes	A	SC
24	E000-24408/1P	AVR AS440 UL Approved	1	Yes	A	SC
25	450-15489	Auxiliary Terminal Board	2	-	-	-
26	45-0117	Heater 220-260v	1	-	-	-
26	45-0118	Heater 110-125v	1	-	-	-
26	A040G622	Heater Kit 220-260v To Include Term Box For Retro	1	-	-	-
26	A040G630	Heater Kit 110-125v To Include Term Box For Retro	1	-	-	-
26	A053N107	Heater 110-125v UL Cert	1	-	-	-
26	A053N108	Heater 220-260v UL Cert	1	-	-	-
26	A053X265	Heater Kit 110-125v To Include Term Box For Retro UL Cert	1	-	-	-
26	A053X267	Heater Kit 220-260v To Include Term Box For Retro UL Cert	1	-	-	-
27	45-0024	Terminal Box For Heaters	1	-	-	-
28	230-10272	DE Adaptor Ring	1	-	-	-
30	45-0850	Adaptor Kit SAE 3	1	-	-	-
31	230-10457	DE Screen	2	-	-	-
32	45-0807	Louvre Kit	1	-	-	-
33	45-0839	Coupling Kit SAE 10	1	-	-	-
33	45-0840	Coupling Kit SAE 11.5	1	-	-	-

-

This page is intentionally blank.

11 UCD27 - One Bearing Alternator

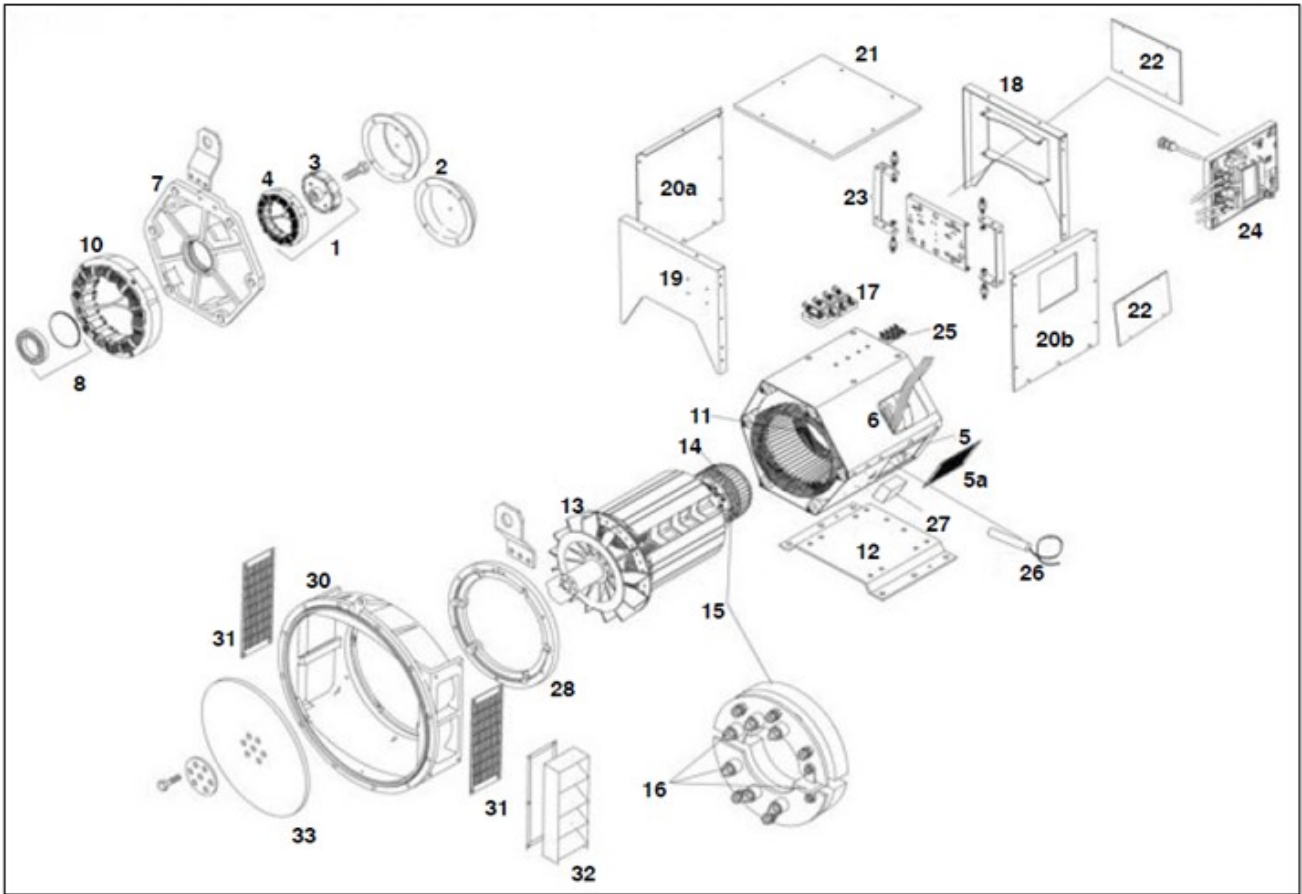


FIGURE 10. UCD27 - ONE BEARING ALTERNATOR PARTS DRAWING

TABLE 11. UCD27 - ONE BEARING ALTERNATOR PARTS LIST

Item	Part No.	Description	Qty.	Recommended Service Part	RSL Class	RSL Type
1	45-0075A	Complete PMG Upfit Kit	1	-	-	-
2	450-14360	PMG Cover (Cover Included In Above Kit)	1	-	-	-
2	450-14450	Non PMG Cover	1	-	-	-
3	45-1080	Current PMG Rotor/Stator Repair Kit	1	-	-	-
4	45-1080	Current PMG Rotor/Stator Repair Kit	1	-	-	-
5	330-10390	Main Stator Bottom Cover (J-K)	1	-	-	-
5a	330-10020	Air Inlet Cover	2	-	-	-
6	330-10385	Main Stator Top Cover (J-K)	1	-	-	-
7	330-10002	NDE Bracket	1	-	-	-
7	330-10258	NDE Bracket (For Use With Bearing RTD)	1	-	-	-

Item	Part No.	Description	Qty.	Recommended Service Part	RSL Class	RSL Type
8	45-0868	NDE Bearing Kit	1	-	-	-
10	330-1280	Exciter Stator 60mm (J-K)	1	-	-	-
10	A052B648	Exciter Stator 60mm Severe Environmental (J-K)	1	-	-	-
11	QMSN	Main Stator Bar Assy	1	-	-	-
12	330-10137	Foot	1	-	-	-
13	QMSN	Main Rotor Assy	1	-	-	-
14	310-1028	Exciter Rotor 60mm (J-K)	1	-	-	-
15	45-0428	Rotating Rectifier Assembly	1	-	-	-
16	RSK-2001	Diode Forward/Reverse And Varistor Kit	1	Yes	A	SC
17	230-10624	Main Terminal Board 7 Pin	1	-	-	-
17	450-15617	Main Terminal Board 8 Pin	1	-	-	-
18	330-10602	Terminal Box End Panel NDE (Access)	1	-	-	-
18	330-10618	Terminal Box End Panel NDE (Plain) (Low Profile)	1	-	-	-
18	330-10622	Terminal Box End Panel NDE (Plain)	1	-	-	-
19	330-10601	Terminal Box End Panel DE (Plain)	1	-	-	-
19	330-10630	Terminal Box End Panel DE (Access)	1	-	-	-
19	330-10634	Terminal Box End Panel DE (Plain) (Low Profile)	1	-	-	-
19	A041H036	Terminal Box End Panel DE (Aperture) (Low Profile)	1	-	-	-
20a	330-10600	Terminal Box Side Panel (Left Hand) (Low Profile)	1	-	-	-
20a	330-10603	Terminal Box Side Panel (Left Hand) (Plain) And ENC500	1	-	-	-
20a	330-10605	Terminal Box Side Panel (Left Hand) (Air Filter) And ENC500	1	-	-	-
20a	330-10611	Terminal Box Side Panel (Vent) (Gland-Plate) (Left Hand) And ENC500 (J-K)	1	-	-	-
20a	330-10613	Terminal Box Side Panel (Vent) (Plain) (Left Hand) And ENC500 (J-K)	1	-	-	-
20a	330-10617	Terminal Box Side Panel (Left Hand) (Access) And ENC500	1	-	-	-
20a	330-10620	Terminal Box Side Panel (Vent) (Aperture) (Left Hand) And ENC500 (J-K)	1	-	-	-

Item	Part No.	Description	Qty.	Recommended Service Part	RSL Class	RSL Type
20b	330-10606	Terminal Box Side Panel (Right Hand) (Air Filter) (Aperture) And ENC500	1	-	-	-
20b	330-10609	Terminal Box Side Panel (Right Hand) (Plain) And ENC500	1	-	-	-
20b	330-10612	Terminal Box Side Panel (Vent) (Aperture) (Right Hand) And ENC500 (J-K)	1	-	-	-
20b	330-10614	Terminal Box Side Panel (Vent) (Plain) (Right Hand) And ENC500 (J-K)	1	-	-	-
20b	330-10615	Terminal Box Side Panel (Right Hand) (Air Filter) And ENC500	1	-	-	-
20b	330-10636	Terminal Box Side Panel (Right Hand) (Aperture) (Low Profile)	1	-	-	-
21	330-10069	Terminal Box Lid	1	-	-	-
22	410-10536	AVR Cover Plate From (28/11/04)	1	-	-	-
22	450-14310	AVR Cover Plate	1	-	-	-
23	45-0742	AVR Mounting Bracket	1	-	-	-
24	E000-23212/1P	AVR MX321	1	Yes	A	SC
24	E000-23215/1P	AVR MX321 UL	1	Yes	A	SC
24	E000-23408/1P	AVR MX341 UL	1	Yes	A	SC
24	E000-23412/1P	AVR MX341	1	Yes	A	SC
24	E000-24210/1P	AVR SX421	1	Yes	A	SC
24	E000-24403/1P	AVR AS440	1	Yes	A	SC
24	E000-24403/1P	AVR AS440	1	Yes	A	SC
24	E000-24408/1P	AVR AS440 UL Approved	1	Yes	A	SC
24	E000-24408/1P	AVR AS440 UL Approved	1	Yes	A	SC
25	450-15489	Auxiliary Terminal Board	2	-	-	-
26	45-0117	Heater 220-260v	1	-	-	-
26	45-0118	Heater 110-125v	1	-	-	-
26	A040G622	Heater Kit 220-260v To Include Term Box For Retro	1	-	-	-
26	A040G630	Heater Kit 110-125v To Include Term Box For Retro	1	-	-	-
26	A053N107	Heater 110-125v UL Cert	1	-	-	-
26	A053N108	Heater 220-260v UL Cert	1	-	-	-
26	A053X265	Heater Kit 110-125v To Include Term Box For Retro UL Cert	1	-	-	-
26	A053X267	Heater Kit 220-260v To Include Term Box For Retro UL Cert	1	-	-	-

Item	Part No.	Description	Qty.	Recommended Service Part	RSL Class	RSL Type
27	45-0024	Terminal Box For Heaters	1	-	-	-
30	45-0851	Adaptor Kit SAE 2	1	-	-	-
30	45-0852	Adaptor Kit SAE 1	1	-	-	-
30	A062B089	Adaptor Kit SAE3	1	-	-	-
31	330-10522	DE Screen	2	-	-	-
32	45-0855	Louvre Kit	1	-	-	-
33	45-0766	Coupling Kit SAE 14	1	-	-	-
33	45-0768	Coupling Kit SAE 11.5	1	-	-	-
33	A062B091	Coupling Kit SAE 11.5 For SAE3 (1.2mm)	1	-	-	-

12 UCI224 - One Bearing Alternator

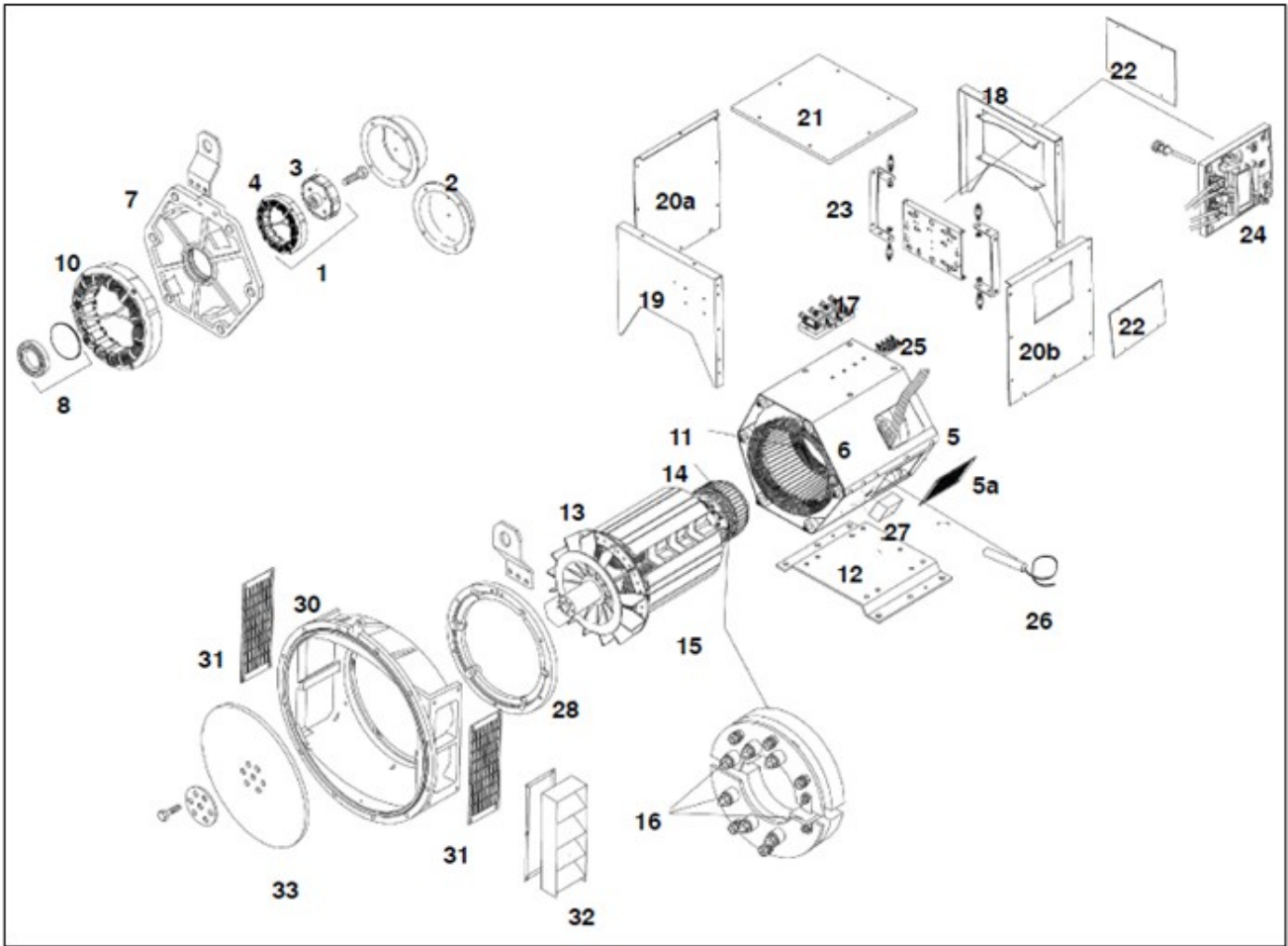


FIGURE 11. UCI224 - ONE BEARING ALTERNATOR PARTS DRAWING

TABLE 12. UCI224 - ONE BEARING ALTERNATOR PARTS

Item	Part No.	Description	Qty.	Recommended Service Part	RSL Class	RSL Type
1	45-0075A	Complete PMG Upfit Kit	1	-	-	-
2	450-14360	PMG Cover (Cover Included In Above Kit)	1	-	-	-
2	450-14450	Non PMG Cover	1	-	-	-
3	45-1080	Current PMG Rotor/Stator Repair Kit	1	-	-	-
4	45-1080	Current PMG Rotor/Stator Repair Kit	1	-	-	-
5	230-10340	Main Stator Bottom Cover (C-D)	1	-	-	-
5	230-10341	Main Stator Bottom Cover (E-F)	1	-	-	-
5	230-10342	Main Stator Bottom Cover (G)	1	-	-	-
5A	230-10054	Air Inlet Cover	2	-	-	-

Item	Part No.	Description	Qty.	Recommended Service Part	RSL Class	RSL Type
6	230-10336	Main Stator Top Cover (C-D)	1	-	-	-
6	230-10337	Main Stator Top Cover (E-F)	1	-	-	-
6	230-10338	Main Stator Top Cover (G)	1	-	-	-
7	230-10002	NDE Bracket	1	-	-	-
8	45-0867	NDE Bearing Kit	1	-	-	-
10	230-1495	Exciter Stator 30mm (C-D)	1	-	-	-
10	230-1497	Exciter Stator 40mm (E-G)	1	-	-	-
10	A052B581	Exciter Stator 30mm Severe Environmental (C-D)	1	-	-	-
10	A052B588	Exciter Stator 40mm Severe Environmental (E-G)	1	-	-	-
11	QMSN	Main Stator Bar Assy	1	-	-	-
12	230-10270	Foot	1	-	-	-
13	QMSN	Main Rotor Assy	2	-	-	-
14	210-1036	Exciter Rotor 30mm (C-D)	1	-	-	-
14	210-1037	Exciter Rotor 40mm (E-G)	1	-	-	-
15	45-0428	Rotating Rectifier Assembly	1	-	-	-
16	RSK-2001	Diode Forward/Reverse And Varistor Kit	1	Yes	A	SC
17	230-10624	Main Terminal Board 7 Pin	1	-	-	-
17	450-15617	Main Terminal Board 8 Pin	1	-	-	-
18	230-10566	Terminal Box End Panel NDE (Access)	1	-	-	-
18	230-10571	Terminal Box End Panel NDE (Plain) Low/Profile	1	-	-	-
18	230-10587	Terminal Box End Panel NDE (Plain)	1	-	-	-
19	230-10565	Terminal Box End Panel DE (Plain)	1	-	-	-
19	230-10599	Terminal Box End Panel DE (Access)	1	-	-	-
19	A041H349	Terminal Box End Panel DE (Plain) Low/Profile	1	-	-	-
20A	230-10567	Terminal Box Side Panel (Left Hand)	1	-	-	-
20A	230-10573	Terminal Box Side Panel (Access)	1	-	-	-
20A	230-10574	Terminal Box Side Panel (Left Hand) (Plain) Low Profile	1	-	-	-
20B	230-10568	Terminal Box Side Panel (Access)	1	-	-	-
20B	230-10575	Terminal Box Side Panel (Right Hand)	2	-	-	-

Item	Part No.	Description	Qty.	Recommended Service Part	RSL Class	RSL Type
20B	230-10580	Terminal Box Side Panel (Rh Series 5 Trans)	1	-	-	-
20B	230-10583	Terminal Box Side Panel Rh (Plain) Low Profile	1	-	-	-
20B	230-10627	Terminal Box Side Panel (Access No Pfc)	1	-	-	-
21	230-10069	Terminal Box Lid	1	-	-	-
22	410-10536	AVR Cover Plate From (28/11/04)	1	-	-	-
22	450-14310	AVR Cover Plate	1	-	-	-
23	45-0742	AVR Mounting Bracket	1	-	-	-
24	A062Y338	AVR MX322	1	Yes	A	SC
24	E000-23212/1P	AVR MX321	1	Yes	A	SC
24	E000-23215/1P	AVR MX321 UL	1	Yes	A	SC
24	E000-23408/1P	AVR MX341 UL	1	Yes	A	SC
24	E000-23412/1P	AVR MX341	1	Yes	A	SC
24	E000-24210/1P	AVR SX421	1	Yes	A	SC
24	E000-24403/1P	AVR AS440	1	Yes	A	SC
24	E000-24403/1P	AVR AS440	1	Yes	A	SC
24	E000-24408/1P	AVR AS440 UL Approved	1	Yes	A	SC
24	E000-24408/1P	AVR AS440 UL Approved	1	Yes	A	SC
25	450-15489	Auxiliary Terminal Board	2	-	-	-
26	45-0117	Heater 220-260v	1	-	-	-
26	45-0118	Heater 110-125v	1	-	-	-
26	A040G623	Heater Kit 220-260v To Include Term Box For Retro	1	-	-	-
26	A040G631	Heater Kit 110-125v To Include Term Box For Retro	1	-	-	-
26	A053N107	Heater 110-125v UL Cert	1	-	-	-
26	A053N108	Heater 220-260v UL Cert	1	-	-	-
26	A053X265	Heater Kit 110-125v To Include Term Box For Retro UL Cert	1	-	-	-
26	A053X267	Heater Kit 220-260v To Include Term Box For Retro UL Cert	1	-	-	-
27	45-0024	Terminal Box For Heaters	1	-	-	-
28	230-10001	DE Adaptor Ring	1	-	-	-
30	45-0526	DE Adaptor Kit SAE 2	1	-	-	-
30	45-0527	DE Adaptor Kitt SAE 3	1	-	-	-
30	45-0528	DE Adaptor Kit SAE 4	1	-	-	-

Item	Part No.	Description	Qty.	Recommended Service Part	RSL Class	RSL Type
30	45-0689	DE Adaptor Kit SAE 1	1	-	-	-
31	See No. 30	DE Screen (Included In Adaptor Kits)	2	-	-	-
32	45-0630	DE Louvre SAE 1 SAE 3 And SAE 4	1	-	-	-
32	45-0631	DE Louvre SAE 2	1	-	-	-
33	45-0757	Coupling Kit SAE 8	1	-	-	-
33	45-0758	Coupling Kit SAE 10	1	-	-	-
33	45-0759	Coupling Kit SAE 11.5	1	-	-	-
33	45-0760	Coupling Kit SAE 14	1	-	-	-
33	45-0761	Coupling Kit Delco 15.5	1	-	-	-
33	45-0762	Coupling Kit SAE 11.5 (For SAE1 New)	1	-	-	-

13 UCI224 (C-G) Two Bearing (4 Pole) Alternator

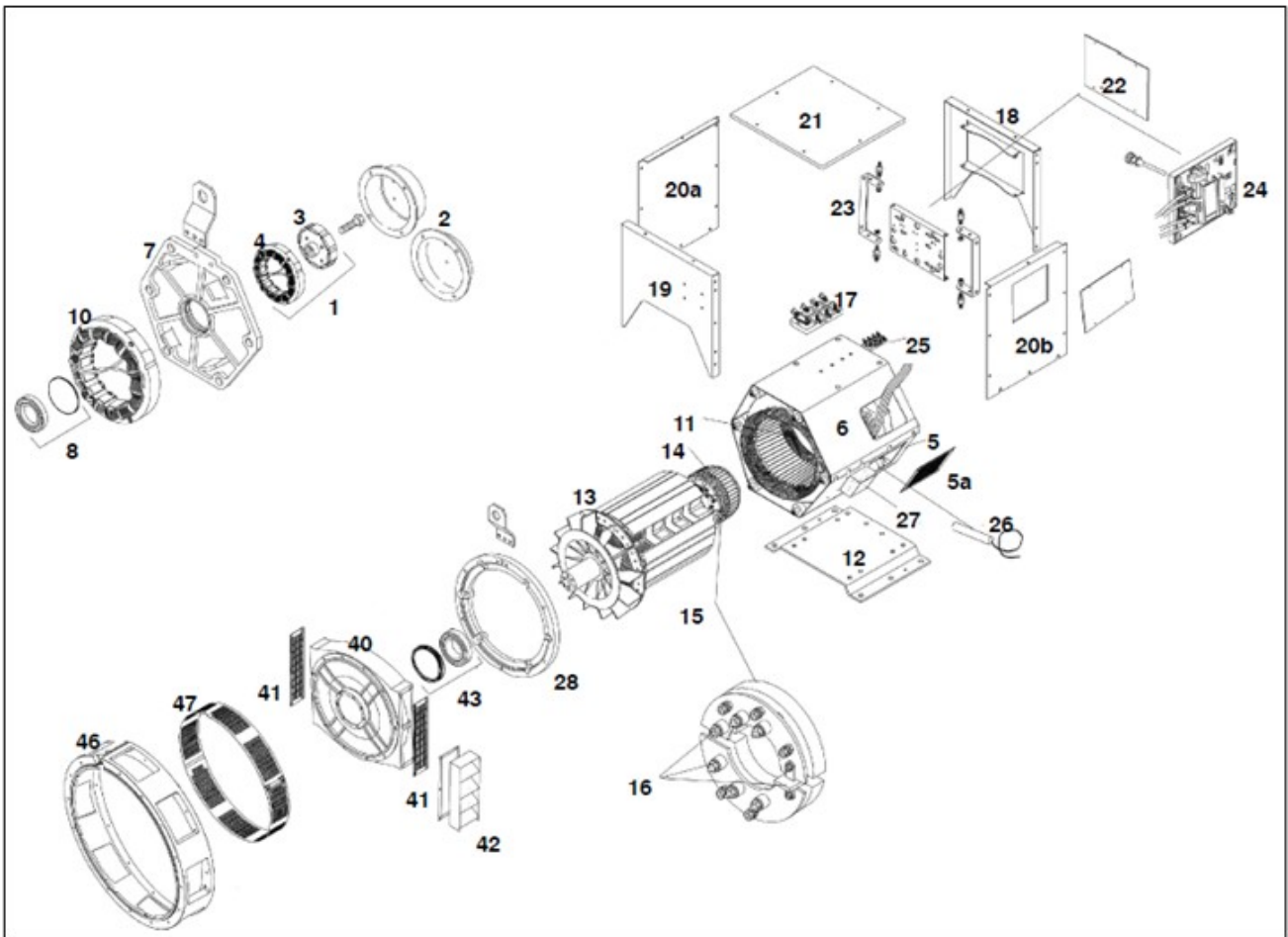


FIGURE 12. UCI224 (C-G) TWO BEARING 4 POLE PARTS DRAWING

TABLE 13. UCI224 (C-G) TWO BEARING 4 POLE PARTS LIST

Item	Part No.	Description	Qty.	Recommended Service Part	RSL Class	RSL Type
1	45-0075A	Complete PMG Upfit Kit	1	-	-	-
2	450-14360	PMG Cover (Cover Included In Above Kit)	1	-	-	-
2	450-14450	Non PMG Cover	1	-	-	-
3	45-1080	Current PMG Rotor/Stator Repair Kit	1	-	-	-
4	45-1080	Current PMG Rotor/Stator Repair Kit	1	-	-	-
5	230-10340	Main Stator Bottom Cover (C-D)	1	-	-	-
5	230-10341	Main Stator Bottom Cover (E-F)	1	-	-	-
5	230-10342	Main Stator Bottom Cover (G)	1	-	-	-

Item	Part No.	Description	Qty.	Recommended Service Part	RSL Class	RSL Type
5a	230-10054	Air Inlet Cover	2	-	-	-
6	230-10336	Main Stator Top Cover (C-D)	1	-	-	-
6	230-10337	Main Stator Top Cover (E-F)	1	-	-	-
6	230-10338	Main Stator Top Cover (G)	1	-	-	-
7	230-10002	NDE Bracket	1	-	-	-
8	45-0867	NDE Bearing Kit	1	-	-	-
10	A052B581	Exciter Stator 30mm Severe Environmental (C-D)	1	-	-	-
10	A052B588	Exciter Stator 40mm Severe Environmental (E-G)	1	-	-	-
11	QMSN	Main Stator Bar Assembly	1	-	-	-
12	230-10270	Foot	1	-	-	-
13	QMSN	Main Rotor Assembly	2	-	-	-
14	210-1036	Exciter Rotor 30mm (C-D)	1	-	-	-
14	210-1037	Exciter Rotor 40mm (E-G)	1	-	-	-
15	45-0428	Rotating Rectifier Assembly	1	-	-	-
16	RSK-2001	Diode Forward/Reverse And Varistor Kit	1	Yes	A	SC
17	230-10624	Main Terminal Board 7 Pin	1	-	-	-
17	450-15617	Main Terminal Board 8 Pin	1	-	-	-
18	230-10566	Terminal Box End Panel NDE (Access)	1	-	-	-
18	230-10571	Terminal Box End Panel NDE (Plain) Low/Profile	1	-	-	-
18	230-10587	Terminal Box End Panel NDE (Plain)	1	-	-	-
19	230-10565	Terminal Box End Panel DE (Plain)	1	-	-	-
19	230-10599	Terminal Box End Panel DE (Access)	1	-	-	-
19	A041H349	Terminal Box End Panel DE (Plain) Low/Profile	1	-	-	-
20a	230-10567	Terminal Box Side Panel (Left Hand)	1	-	-	-
20a	230-10573	Terminal Box Side Panel (Access)	1	-	-	-
20a	230-10574	Terminal Box Side Panel (Left Hand) (Plain) Low Profile	1	-	-	-
20b	230-10568	Terminal Box Side Panel (Access)	1	-	-	-
20b	230-10575	Terminal Box Side Panel (Right Hand)	2	-	-	-

Item	Part No.	Description	Qty.	Recommended Service Part	RSL Class	RSL Type
20b	230-10580	Terminal Box Side Panel (Rh Series 5 Trans)	1	-	-	-
20b	230-10583	Terminal Box Side Panel Rh (Plain) Low Profile	1	-	-	-
20b	230-10627	Terminal Box Side Panel (Access No Pfc)	1	-	-	-
21	230-10069	Terminal Box Lid	1	-	-	-
22	410-10536	AVR Cover Plate From (28/11/04)	1	-	-	-
22	450-14310	AVR Cover Plate	1	-	-	-
23	45-0742	AVR Mounting Bracket	1	-	-	-
24	A062Y338	AVR MX322	1	Yes	A	SC
24	E000-23212/1P	AVR MX321	1	Yes	A	SC
24	E000-23215/1P	AVR MX321 UL	1	Yes	A	SC
24	E000-23408/1P	AVR MX341 UL	1	Yes	A	SC
24	E000-23412/1P	AVR MX341	1	Yes	A	SC
24	E000-24210/1P	AVR SX421	1	Yes	A	SC
24	E000-24403/1P	AVR AS440	1	Yes	A	SC
24	E000-24403/1P	AVR AS440	1	Yes	A	SC
24	E000-24408/1P	AVR AS440 UL Approved	1	Yes	A	SC
24	E000-24408/1P	AVR AS440 UL Approved	1	Yes	A	SC
25	450-15489	Auxiliary Terminal Board	2	-	-	-
26	45-0117	Heater 220-260v	1	-	-	-
26	45-0118	Heater 110-125v	1	-	-	-
26	A040G622	Heater Kit 220-260v To Include Term Box For Retro	1	-	-	-
26	A040G630	Heater Kit 110-125v To Include Term Box For Retro	1	-	-	-
26	A053N107	Heater 110-125v UL Cert	1	-	-	-
26	A053N108	Heater 220-260v UL Cert	1	-	-	-
26	A053X265	Heater Kit 110-125v To Include Term Box For Retro UL Cert	1	-	-	-
26	A053X267	Heater Kit 220-260v To Include Term Box For Retro UL Cert	1	-	-	-
27	45-0024	Terminal Box For Heaters	1	-	-	-
28	230-10001	DE Adaptor Ring	1	-	-	-
40	230-10073	DE Bracket	1	-	-	-
41	210-10121	DE Screen	1	-	-	-
42	45-0632	Louvre	1	-	-	-

Item	Part No.	Description	Qty.	Recommended Service Part	RSL Class	RSL Type
43	45-0365	DE Bearing Kit	1	-	-	-
46	45-0529	Adaptor Kit SAE 1	2	-	-	-
46	45-0530	Adaptor Kit SAE 2	1	-	-	-
46	45-0531	Adaptor Kit SAE 3	1	-	-	-
46	45-0532	Adaptor Kit SAE 4	1	-	-	-
46	45-0533	Adaptor Kit SAE 5	1	-	-	-
46	45-0604	Adaptor Kit SAE 2 (DIN)	1	-	-	-
47	SEE NO.46	Adaptor Cover (Included In Adaptor Kits)	1	-	-	-

14 UCI274 (C-H) One Bearing Alternator

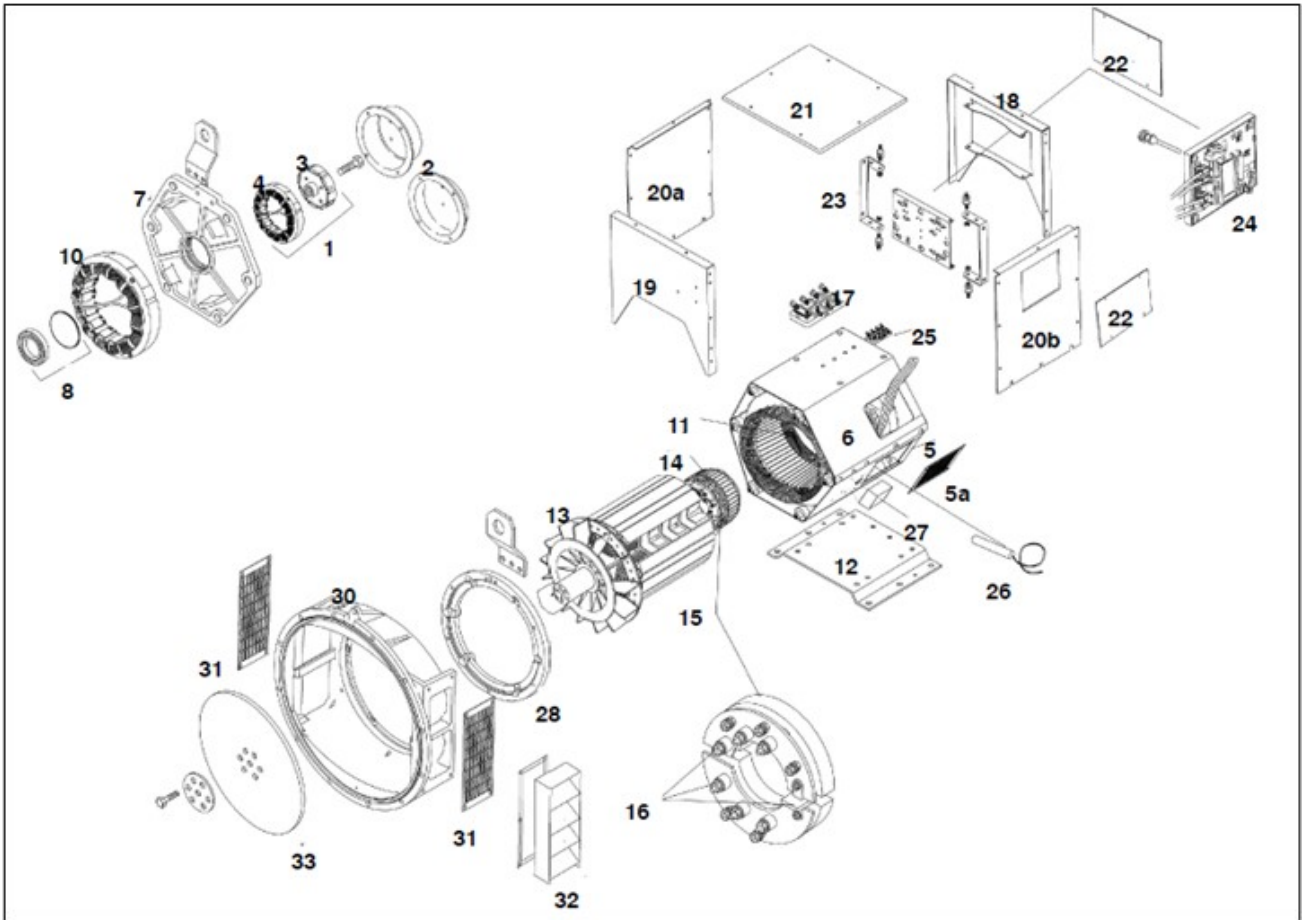


FIGURE 13. UCI274 (C-H) ONE BEARING ALTERNATOR

TABLE 14. UCI274 (C-H) ONE BEARING ALTERNATOR

Item	Part No.	Description	Qty.	Recommended Service Part	RSL Class	RSL Type
1	45-0075A	Complete PMG Upfit Kit	1	-	-	-
2	450-14360	PMG Cover (Cover Included In Above Kit)	1	-	-	-
2	450-14450	Non PMG Cover	1	-	-	-
3	45-1080	Current PMG Rotor/Stator Repair Kit	1	-	-	-
4	45-1080	Current PMG Rotor/Stator Repair Kit	1	-	-	-
5	330-10386	Main Stator Bottom Cover (C-D)	1	-	-	-
5	330-10387	Main Stator Bottom Cover (E-F)	1	-	-	-
5	330-10388	Main Stator Bottom Cover (G)	1	-	-	-
5	330-10389	Main Stator Bottom Cover (H)	1	-	-	-
5a	330-10020	Air Inlet Cover	2	-	-	-

Item	Part No.	Description	Qty.	Recommended Service Part	RSL Class	RSL Type
5a	330-10099	Air Inlet Cover (Air Filter)	2	-	-	-
6	330-10381	Main Stator Top Cover (C-D)	1	-	-	-
6	330-10382	Main Stator Top Cover (E-F)	1	-	-	-
6	330-10383	Main Stator Top Cover (G)	1	-	-	-
6	330-10384	Main Stator Bottom Cover (H)	1	-	-	-
7	330-10002	NDE Bracket	1	-	-	-
7	330-10258	NDE Bracket (For Use With Bearing RTD)	1	-	-	-
8	45-0868	NDE Bearing Kit	1	-	-	-
10	230-1497	Exciter Stator 40mm (C-D)	1	-	-	-
10	330-1280	Exciter Stator 60mm (E-H)	1	-	-	-
10	A052B588	Exciter Stator 40mm Severe Environmental (C-D)	1	-	-	-
10	A052B648	Exciter Stator 60mm Severe Environmental (E-H)	1	-	-	-
11	QMSN	Main Stator Bar Assembly	1	-	-	-
12	330-10137	Foot	1	-	-	-
13	QMSN	Main Rotor Assembly	2	-	-	-
14	210-1037	Exciter Rotor 40mm (E-G)	1	-	-	-
14	310-1028	Exciter Rotor 60mm (E-G)	1	-	-	-
15	45-0428	Rotating Rectifier Assembly	1	-	-	-
16	RSK-2001	Diode Forward/Reverse And Varistor Kit	1	Yes	A	SC
17	230-10624	Main Terminal Board 7 Pin	1	-	-	-
17	450-15617	Main Terminal Board 8 Pin	1	-	-	-
18	330-10602	Terminal Box End Panel NDE (Access) And ENC500	1	-	-	-
18	330-10622	Terminal Box End Panel NDE (Plain) And ENC500	1	-	-	-
18	330-10634	Terminal Box End Panel NDE (Plain) (Low Profile)	1	-	-	-
19	330-10601	Terminal Box End Panel DE (Plain) And ENC500	1	-	-	-
19	330-10630	Terminal Box End Panel DE (Access)	1	-	-	-
19	330-10634	Terminal Box End Panel De(Plain) (Low Profile)	1	-	-	-
20a	330-10600	Terminal Box Side Panel (Left Hand) (Low Profile)	1	-	-	-

Item	Part No.	Description	Qty.	Recommended Service Part	RSL Class	RSL Type
20a	330-10603	Terminal Box Side Panel (Left Hand) (Plain) And ENC500	1	-	-	-
20a	330-10605	Terminal Box Side Panel (Left Hand) (Air Filter) And ENC500	1	-	-	-
20a	330-10606	Terminal Box Side Panel (Right Hand) (Air Filter) (Aperture) And ENC500	1	-	-	-
20a	330-10611	Terminal Box Side Panel (Vent) (Gland-Plate (Left Hand) And ENC500 (J-K)	1	-	-	-
20a	330-10612	Terminal Box Side Panel (Vent) (Aperture) (Right Hand) And ENC500 (J-K)	1	-	-	-
20a	330-10613	Terminal Box Side Panel (Vent) (Plain) (Left Hand) And ENC500 (J-K)	1	-	-	-
20a	330-10614	Terminal Box Side Panel (Vent) (Plain) (Right Hand) And ENC500 (J-K)	1	-	-	-
20a	330-10615	Terminal Box Side Panel (Right Hand) (Air Filter) And ENC500	1	-	-	-
20a	330-10617	Terminal Box Side Panel (Left Hand) (Access) And ENC500	1	-	-	-
20a	330-10620	Terminal Box Side Panel (Vent) (Aperture) (Left Hand) And ENC500 (J-K)	1	-	-	-
20a	330-10636	Terminal Box Side Panel (Right Hand) (Aperture) (Low Profile)	1	-	-	-
21	330-10069	Terminal Box Lid	1	-	-	-
22	410-10536	AVR Cover Plate From (28/11/04)	1	-	-	-
22	450-14310	AVR Cover Plate	1	-	-	-
23	45-0742	AVR Mounting Bracket	1	-	-	-
24	A062Y338	AVR MX322	1	Yes	A	SC
24	E000-23212/1P	AVR MX321	1	Yes	A	SC
24	E000-23215/1P	AVR MX321 UL	1	Yes	A	SC
24	E000-23408/1P	AVR MX341 UL	1	Yes	A	SC
24	E000-23412/1P	AVR MX341	1	Yes	A	SC
24	E000-24210/1P	AVR SX421	1	Yes	A	SC
24	E000-24403/1P	AVR AS440	1	Yes	A	SC
24	E000-24403/1P	AVR AS440	1	Yes	A	SC
24	E000-24408/1P	AVR AS440 UL Approved	1	Yes	A	SC
24	E000-24408/1P	AVR AS440 UL Approved	1	Yes	A	SC

Item	Part No.	Description	Qty.	Recommended Service Part	RSL Class	RSL Type
25	450-15489	Auxiliary Terminal Board	2	-	-	-
26	45-0117	Heater 220-260v	1	-	-	-
26	45-0118	Heater 110-125v	1	-	-	-
26	A040G622	Heater Kit 220-260v To Include Term Box For Retro	1	-	-	-
26	A040G630	Heater Kit 110-125v To Include Term Box For Retro	1	-	-	-
26	A053N107	Heater 110-125v UL Cert	1	-	-	-
26	A053N108	Heater 220-260v UL Cert	1	-	-	-
26	A053X265	Heater Kit 110-125v To Include Term Box For Retro UL Cert	1	-	-	-
26	A053X267	Heater Kit 220-260v To Include Term Box For Retro UL Cert	1	-	-	-
27	45-0024	Terminal Box For Heaters	1	-	-	-
28	330-10001	DE Adaptor Ring	1	-	-	-
30	45-0520	DE Adaptor Kit SAE 2	1	-	-	-
30	45-0521	DE Adaptor Kit SAE 3	1	-	-	-
30	45-0690	DE Adaptor Kit SAE 1	1	-	-	-
31	310-10400	DE Screen (Included In Adaptor Kits)	1	-	-	-
32	45-0633	DE Louvre	1	-	-	-
33	45-0764	Coupling Kit SAE 10	1	-	-	-
33	45-0765	Coupling Kit SAE 11.5	1	-	-	-
33	45-0766	Coupling Kit SAE 14	1	-	-	-
33	45-0767	Coupling Kit Delco 17.75	1	-	-	-
33	45-0768	Coupling Kit SAE 11.5 (For SAE1 New)	1	-	-	-

15 UCI274 (C-H) Two Bearing (4 Pole) Alternator

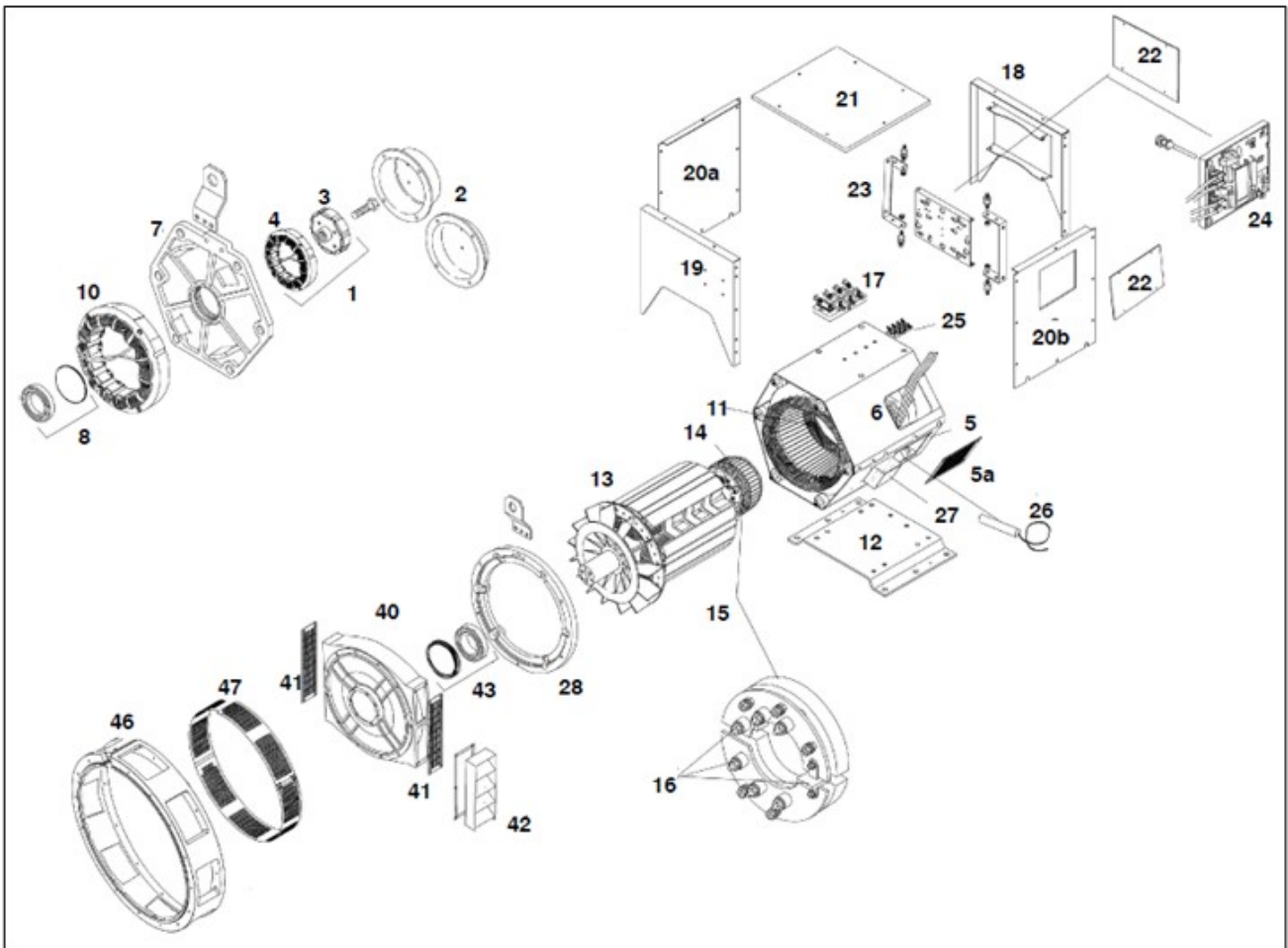


FIGURE 14. UCI274 (C-H) TWO BEARING (4 POLE) ALTERNATOR PARTS DRAWING

TABLE 15. UCI274 (C-H) TWO BEARING (4 POLE) ALTERNATOR PARTS LIST

Item	Part No.	Description	Qty.	Recommended Service Part	RSL Class	RSL Type
1	45-0075A	Complete PMG Upfit Kit	1	-	-	-
2	450-14360	PMG Cover (Cover Included In Above Kit)	1	-	-	-
2	450-14450	Non PMG Cover	1	-	-	-
3	45-1080	Current PMG Rotor/Stator Repair Kit	1	-	-	-
4	45-1080	Current PMG Rotor/Stator Repair Kit	1	-	-	-
5	330-10386	Main Stator Bottom Cover (C-D)	1	-	-	-
5	330-10387	Main Stator Bottom Cover (E-F)	1	-	-	-
5	330-10388	Main Stator Bottom Cover (G)	1	-	-	-

Item	Part No.	Description	Qty.	Recommended Service Part	RSL Class	RSL Type
5	330-10389	Main Stator Bottom Cover (H)	1	-	-	-
5a	330-10020	Air Inlet Cover	2	-	-	-
5a	330-10099	Air Inlet Cover (Air Filter)	2	-	-	-
6	330-10381	Main Stator Top Cover (C-D)	1	-	-	-
6	330-10382	Main Stator Top Cover (E-F)	1	-	-	-
6	330-10383	Main Stator Top Cover (G)	1	-	-	-
6	330-10384	Main Stator Bottom Cover (H)	1	-	-	-
7	330-10002	NDE Bracket	1	-	-	-
7	330-10258	NDE Bracket (For use with Bearing RTD's)	1	-	-	-
8	45-0868	NDE Bearing Kit	1	-	-	-
10	230-1497	Exciter Stator 40mm (C-D)	1	-	-	-
10	330-1280	Exciter Stator 60mm (E-H)	1	-	-	-
10	A052B588	Exciter Stator 40mm Severe Environmental (C-D)	1	-	-	-
10	A052B648	Exciter Stator 60mm Severe Environmental (E-H)	1	-	-	-
11	QMSN	Main Stator Bar Assembly	1	-	-	-
12	330-10137	Foot	1	-	-	-
13	QMSN	Main Rotor Assembly	2	-	-	-
14	210-1037	Exciter Rotor 30mm (C-D)	1	-	-	-
14	310-1028	Exciter Rotor 60mm (E-G)	1	-	-	-
15	45-0428	Rotating Rectifier Assembly	1	-	-	-
16	RSK-2001	Diode Forward/Reverse And Varistor Kit	1	Yes	A	SC
17	230-10624	Main Terminal board 7 Pin	1	-	-	-
17	450-15617	Main Terminal Board 8 Pin	1	-	-	-
18	330-10602	Terminal Box End Panel NDE (Access) And ENC500	1	-	-	-
18	330-10618	Terminal Box End Panel NDE (Plain) (Low Profile)	1	-	-	-
18	330-10622	Terminal Box End Panel NDE (Plain) And ENC500	1	-	-	-
19	330-10601	Terminal Box End Panel DE (Plain) And ENC500	1	-	-	-
19	330-10630	Terminal Box End Panel DE (Access)	1	-	-	-
19	330-10634	Terminal Box End Panel NDE (Plain) (Low Profile)	1	-	-	-

Item	Part No.	Description	Qty.	Recommended Service Part	RSL Class	RSL Type
19	A041H036	Terminal Box End Panel DE (Aperture) (Low Profile)	1	-	-	-
20a	330-10600	Terminal Box Side Panel (Left Hand) (Low Profile)	1	-	-	-
20a	330-10603	Terminal Box Side Panel (Left Hand) (Plain) And ENC500	1	-	-	-
20a	330-10605	Terminal Box Side Panel (Left Hand) (Air Filter) And ENC500	1	-	-	-
20a	330-10611	Terminal Box Side Panel (Vent) (Gland-Plate (Left Hand) And ENC500 (J-K)	1	-	-	-
20a	330-10613	Terminal Box Side Panel (Vent) (Plain) (Left Hand) And ENC500 (J-K)	1	-	-	-
20a	330-10617	Terminal Box Side Panel (Left Hand) (Access) And ENC500	1	-	-	-
20a	330-10620	Terminal Box Side Panel (Vent) (Aperture) (Left Hand) And ENC500 (J-K)	1	-	-	-
20b	330-10606	Terminal Box Side Panel (Right Hand) (Air Filter) (Aperture) And ENC500	1	-	-	-
20b	330-10609	Terminal Box Side Panel (Right Hand) (Plain) And ENC500	1	-	-	-
20b	330-10612	Terminal Box Side Panel (Vent) (Aperture) (Right Hand) And ENC500 (J-K)	1	-	-	-
20b	330-10614	Terminal Box Side Panel (Vent) (Plain) (Right Hand) And ENC500 (J-K)	1	-	-	-
20b	330-10615	Terminal Box Side Panel (Right Hand) (Air Filter) And ENC500	1	-	-	-
20b	330-10636	Terminal Box Side Panel (Right Hand) (Aperture) (Low Profile)	1	-	-	-
21	330-10069	Terminal box lid	1	-	-	-
22	410-10536	AVR Cover Plate From (28/11/04)	1	-	-	-
22	450-14310	AVR Cover Plate To (28/11/04)	1	-	-	-
23	45-0742	AVR Mounting Bracket	1	-	-	-
24	A062Y338	AVR MX322	1	Yes	A	SC
24	E000-23212/1P	AVR MX321	1	Yes	A	SC
24	E000-23215/1P	AVR MX321 UL	1	Yes	A	SC
24	E000-23408/1P	AVR MX341 UL	1	Yes	A	SC
24	E000-23412/1P	AVR MX341	1	Yes	A	SC

Item	Part No.	Description	Qty.	Recommended Service Part	RSL Class	RSL Type
24	E000-24210/1P	AVR SX421	1	Yes	A	SC
24	E000-24403/1P	AVR AS440	1	Yes	A	SC
24	E000-24408/1P	AVR AS440 UL Approved	1	Yes	A	SC
25	450-15489	Auxiliary Terminal Board	2	-	-	-
26	45-0117	Heater 220-260v	1	-	-	-
26	45-0118	Heater 110-125v	1	-	-	-
26	A040G622	Heater Kit 220-260v To Include Term Box For Retro	1	-	-	-
26	A040G630	Heater Kit 110-125v To Include Term Box For Retro	1	-	-	-
26	A053N107	Heater 110-125v UL Cert	1	-	-	-
26	A053N108	Heater 220-260v UL Cert	1	-	-	-
26	A053X265	Heater Kit 110-125v To Include Term Box For Retro UL Cert	1	-	-	-
26	A053X267	Heater Kit 220-260v To Include Term Box For Retro UL Cert	1	-	-	-
27	45-0024	Terminal Box For Heaters	1	-	-	-
28	330-10001	DE Adaptor Ring	1	-	-	-
40	330-10076	DE Bracket	1	-	-	-
41	310-10049	DE Screen	2	-	-	-
42	45-0634	Louvre	1	-	-	-
43	45-0367	DE Bearing Kit	1	-	-	-
46	45-0522	Adaptor Kit SAE 1	1	-	-	-
46	45-0523	Adaptor Kit SAE 2	1	-	-	-
46	45-0524	Adaptor Kit SAE 3	1	-	-	-
46	45-0863	Adaptor Kit DIN 1	1	-	-	-
46	45-0912	Adaptor Kit DIN 2	1	-	-	-
47	See No.46	Adaptor Cover (Included In Adaptor Kits)	1	-	-	-

16 HC434 (C-F) One Bearing Alternator

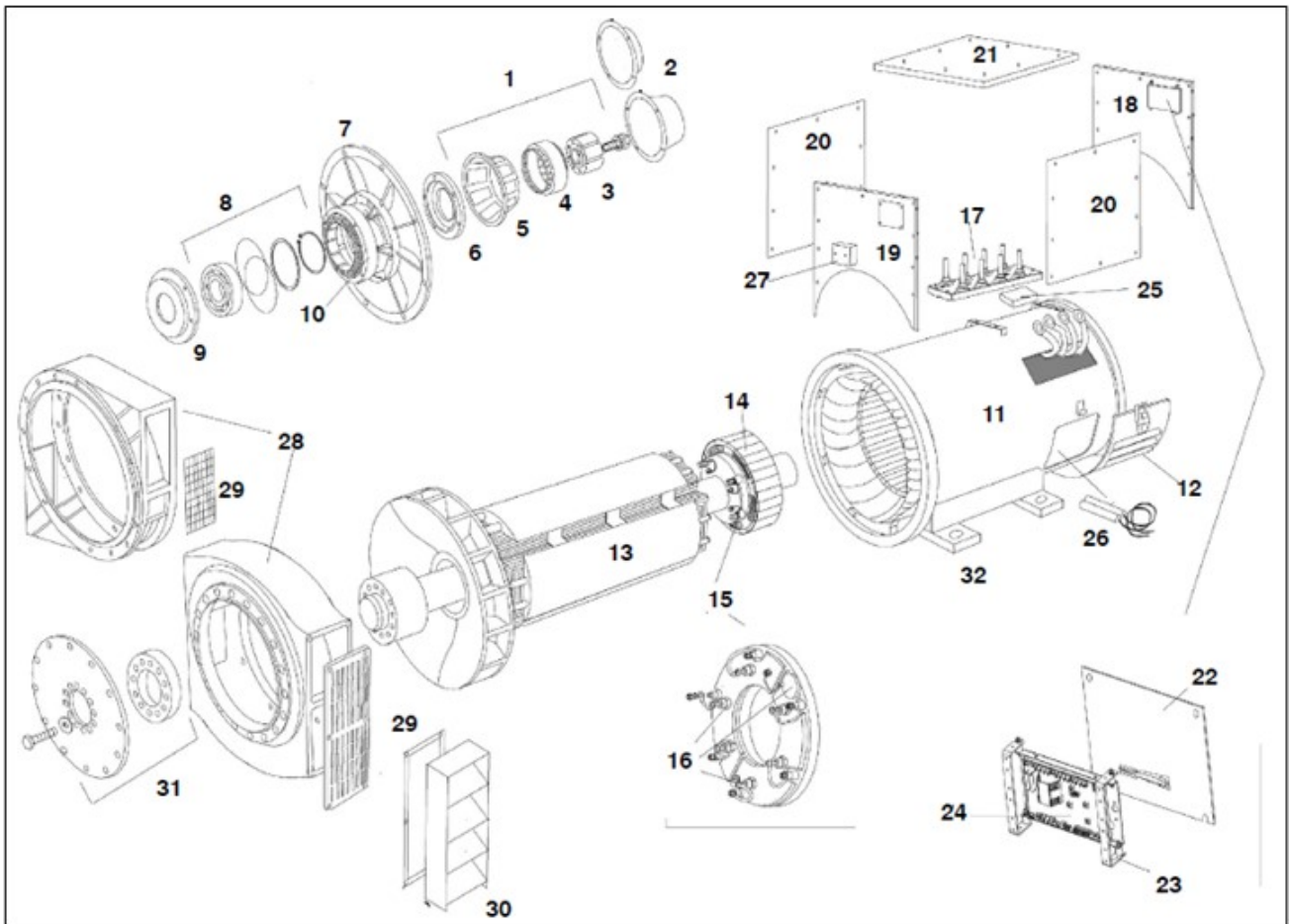


FIGURE 15. HC434 (C-F) ONE BEARING ALTERNATOR PARTS DRAWING

TABLE 16. HC434 (C-F) ONE BEARING ALTERNATOR PARTS LIST

Item	Part No.	Description	Qty.	Recommended Service Part	RSL Class	RSL Type
1	45-0318A	Complete PMG Upfit Kit	1	Yes	B	SC
1	45-0059A	Complete PMG Upfit Kit (To 18/08/00) (Obsolete)	1	-	-	-
2	410-10704	PMG Cover Only Included In Item 1	1	-	-	-
2	410-10705	Non PMG Cover (From 18/08/00)	1	-	-	-
2	450-12590	Non PMG Cover (To 18/08/00)	1	-	-	-
2	450-13350	PMG Cover Only Incl In Kit 45-0059a	1	-	-	-
3	45-1082	PMG Rotor/Stator Repair Kit	1	Yes	B	SC
4	45-1082	PMG Rotor/Stator Repair Kit	1	Yes	B	SC
5	SEE NO. 1	PMG Crown (If Fitted)	1	-	-	-
6	410-10267	NDE Bearing Cap To (18/08/2000)	5	-	-	-

Item	Part No.	Description	Qty.	Recommended Service Part	RSL Class	RSL Type
7	410-10256	NDE Bracket To (02/2000)	3	-	-	-
7	410-10703	NDE Bracket From (02/2000)	1	-	-	-
8	45-0320	NDE Bearing Kit (Sealed) From (30/09/00)	1	Yes	B	M
8	45-0291	NDE Bearing Kit (Sealed) To (18/08/00)	1	-	-	-
9	QMSN	NDE Bearing Cartridge To (18/08/2000)	1	-	-	-
10	410-1052	Exciter Stator 50mm	1	Yes	A	SC
10	A052D639	Exciter Stator 50mm Severe Environmental	1	-	-	-
11	QMSN	Main Stator Frame Assembly	1	-	-	-
12	410-10799	NDE Air Inlet Cover (Industrial)	1	-	-	-
12	458-20200	NDE Air Inlet Cover (Louvred)	1	-	-	-
12	458-20400	NDE Air Inlet Cover (Air Filter)	1	-	-	-
13	QMSN	Main Rotor Assembly	1	-	-	-
14	410-1194	Exciter Rotor 50mm From (22/11/99)	1	Yes	A	SC
14	458-22800	Exciter Rotor 50mm To (22/11/99)	1	-	-	-
15	450-16016	Rotating Rectifier Assembly	1	Yes	B	SC
16	RSK-5001	Diode Forward/Reverse And Varistor Kit	1	Yes	A	SC
17	410-10720	Main Terminal Board	1	-	-	-
18	410-10494	Terminal Box End Panel NDE To (21/07/02)	9	-	-	-
18	410-10785	Terminal Box End Panel NDE From (21/07/02)	1	-	-	-
18	410-10790	Terminal Box End Panel NDE Reconnectable 410-10790	1	-	-	-
18	410-10872	Terminal Box End Panel NDE From (Eu Machine Dir.)	1	-	-	-
19	410-10495	Terminal Box End Panel DE To (21/07/02)	11	-	-	-
19	410-10784	Terminal Box End Panel DE From (21/07/02)	1	-	-	-
19	410-10789	Terminal Box End Panel NDE Reconstructable	1	-	-	-
19	410-10871	Terminal Box End Panel DE From (Eu Machine Dir.)	1	-	-	-
20	410-10496	Terminal Box Side Panel To (21/07/98)	13	-	-	-

Item	Part No.	Description	Qty.	Recommended Service Part	RSL Class	RSL Type
20	410-10786	Terminal Box Side Panel From (21/07/98)	2	-	-	-
20	410-10788	Terminal Box Side Panel (Gland-Plate)	2	-	-	-
20	410-10803	Terminal Box Side Panel (Air Filter)	2	-	-	-
20	410-10819	Terminal Box Side Panel (AVR/Pfc Right Hand)	1	-	-	-
20	410-10859	Terminal Box Side Panel (Air Filter) (Eu Machine Dir.)	2	-	-	-
20	410-10873	Terminal Box Side Panel (AVR/Pfc Right Hand) (Eu Machine Dir.)	1	-	-	-
21	410-10173	Terminal Box Lid To (21/07/98)	1	-	-	-
21	410-10497	Terminal Box Lid From (21/07/98)	15	-	-	-
22	410-10536	AVR Cover Plate To (21/07/02)	1	-	-	-
22	450-15254	AVR Cover Plate (Access)	1	-	-	-
22	450-16413	AVR Plastic Cover (Eu Machine Dir.)	1	-	-	-
22	450-16417	AVR Cover (Eu Machine Dir. No Mounting Bracket) X 1	1	-	-	-
23	45-0742	AVR Mounting Bracket	1	-	-	-
24	A060B914	AVR DECS150	1	Yes	A	SC
24	A062Y338	AVR MX322	1	Yes	A	SC
24	E000-23212/1P	AVR MX321	1	Yes	A	SC
24	E000-23215/1P	AVR MX321 UL	1	Yes	A	SC
24	E000-23408/1P	AVR MX341 UL	1	Yes	A	SC
24	E000-23412/1P	AVR MX341	1	Yes	A	SC
24	E000-24403/1P	AVR AS440	1	Yes	A	SC
24	E000-24408/1P	AVR AS440 UL Approved	1	Yes	A	SC
25	450-15489	Auxiliary Terminal Board	2	-	-	-
26	45-0373	Heater 110-125v	1	-	-	-
26	45-0374	Heater 220-260v	1	-	-	-
26	A040G610	Heater 220-260v To Include Term Box For Retro	1	-	-	-
26	A051Y935	Heater Kit 110-125v To Include Term Box For Retro	1	-	-	-
26	A053M957	Heater 110-125v UL Cert	1	-	-	-
26	A053M965	Heater 220-260v UL Cert	1	-	-	-
26	A053X245	Heater Kit 110-125v To Include Term Box For Retro UL Cert	1	-	-	-

Item	Part No.	Description	Qty.	Recommended Service Part	RSL Class	RSL Type
26	A053X247	Heater 220-260v To Include Term Box For Retro UL Cert	1	-	-	-
27	45-0024	Terminal Box For Heaters	1	-	-	-
28	45-0663	DE Adaptor Kit SAE 0	1	-	-	-
28	45-0664	DE Adaptor Kit SAE 0.5	1	-	-	-
28	45-0665	DE Adaptor Kit SAE 1	1	-	-	-
28	45-0721	DE Adaptor Kit SAE 2	1	-	-	-
28	45-0753	DE Adaptor Kit SAE3	1	-	-	-
28	45-0916	DE Adaptor Kit SAE1 Round	1	-	-	-
29	410-10762	DE Screen Included In Adaptor Kits	1	-	-	-
30	45-0651	DE Louvre SAE 0.5 And 1	1	-	-	-
30	45-0652	DE Louvre SAE0	1	-	-	-
31	45-0776	Coupling Kit SAE 11.5	2	-	-	-
31	45-0777	Coupling Kit SAE 14	1	-	-	-
31	45-0778	Coupling Kit SAE 18	1	-	-	-
31	45-0779	Coupling Kit SAE 17.75	1	-	-	-
32	A056D894	Bracket, Foot, F4	1	-	-	-
32	A056V555	Bar, Foot, F4	2	-	-	-
32	A056V557	Bar, Foot, F4	2	-	-	-

17 HC434 (C-F) Two Bearing Alternator

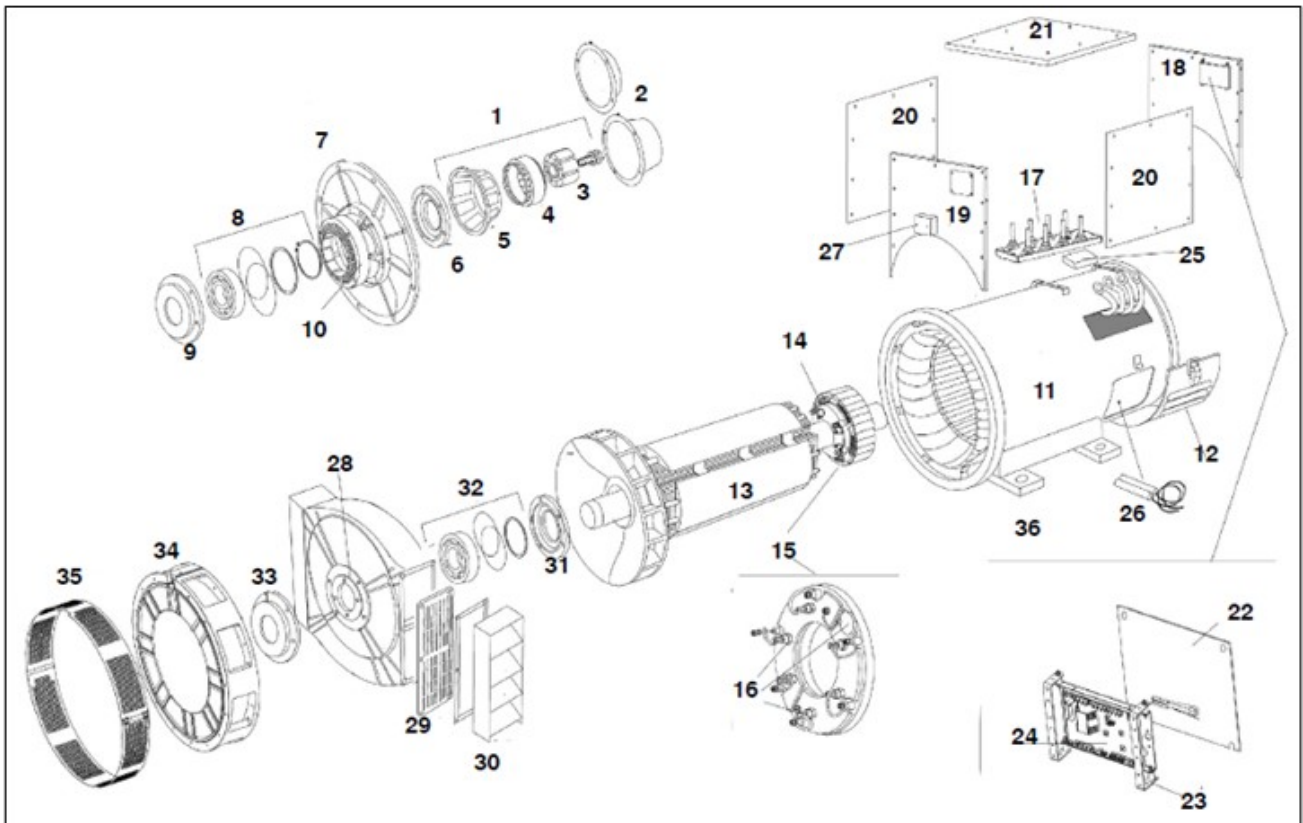


FIGURE 16. HC434 (C-F) TWO BEARING ALTERNATOR PARTS DRAWING

TABLE 17. HC434 (C-F) TWO BEARING ALTERNATOR PARTS LIST

Item	Part No.	Description	Qty.	Recommended Service Part	RSL Class	RSL Type
1	45-0318A	Complete PMG Upfit Kit	1	Yes	B	SC
1	45-0059A	Complete PMG Upfit Kit (To 18/08/00) (Obsolete)	1	-	-	-
2	410-10704	PMG Cover Only Included In Item 1	1	-	-	-
2	410-10705	Non PMG Cover (From 18/08/00)	1	-	-	-
2	450-12590	Non PMG Cover (To 18/08/00)	1	-	-	-
2	450-13350	PMG Cover Only Incl In Kit 45-0059a	1	-	-	-
3	45-1082	PMG Rotor/Stator Repair Kit	1	Yes	B	SC
4	45-1082	PMG Rotor/Stator Repair Kit	1	Yes	B	SC
5	SEE NO. 1	PMG Crown (If Fitted)	1	-	-	-
6	410-10268	NDE Bearing Cap To (18/08/2000)	7	-	-	-
7	410-10256	NDE Bracket To (02/2000)	4	-	-	-
7	410-10703	NDE Bracket From (02/2000)	1	-	-	-

Item	Part No.	Description	Qty.	Recommended Service Part	RSL Class	RSL Type
8	45-0320	NDE Bearing Kit (Sealed) From (30/09/00)	1	Yes	B	M
8	45-0291	NDE Bearing Kit (Sealed) to (18/08/00)	1	-	-	-
9	458-12960	NDE Bearing Cartridge To (18/08/2000)	1	-	-	-
10	410-1052	Exciter Stator 50mm	1	Yes	A	SC
10	A052D639	Exciter Stator 50mm Severe Environmental	1	-	-	-
11	QMSN	Main Stator Frame Assembly	1	-	-	-
12	410-10799	NDE Air Inlet Cover (Industrial)	1	-	-	-
12	458-20200	NDE Air Inlet Cover (Louvred)	1	-	-	-
12	458-20400	NDE Air Inlet Cover (Air Filter)	1	-	-	-
13	QMSN	Main Rotor Assembly	1	-	-	-
14	410-1194	Exciter Rotor 50mm From (22/11/99)	1	Yes	A	SC
14	458-22800	Exciter Rotor 50mm To (22/11/99)	1	-	-	-
15	450-16016	Rotating Rectifier Assembly	1	Yes	B	SC
16	RSK-5001	Diode Forward/Reverse And Varistor Kit	1	Yes	A	SC
17	410-10720	Main Terminal Board	1	-	-	-
18	410-10494	Terminal Box End Panel NDE To (21/07/02)	10	-	-	-
18	410-10785	Terminal Box End Panel NDE From (21/07/02)	1	-	-	-
18	410-10790	Terminal Box End Panel NDE Reconnectable 410-10790	1	-	-	-
18	410-10872	Terminal Box End Panel NDE From (Eu Machine Dir.)	1	-	-	-
19	410-10495	Terminal Box End Panel DE To (21/07/02)	12	-	-	-
19	410-10784	Terminal Box End Panel DE From (21/07/02)	1	-	-	-
19	410-10789	Terminal Box End Panel NDE Reconstructable	1	-	-	-
19	410-10871	Terminal Box End Panel DE From (Eu Machine Dir.)	1	-	-	-
20	410-10496	Terminal Box Side Panel To (21/07/98)	14	-	-	-
20	410-10786	Terminal Box Side Panel From (21/07/98)	2	-	-	-

Item	Part No.	Description	Qty.	Recommended Service Part	RSL Class	RSL Type
20	410-10788	Terminal Box Side Panel (Gland-Plate)	2	-	-	-
20	410-10803	Terminal Box Side Panel (Air Filter)	2	-	-	-
20	410-10819	Terminal Box Side Panel (AVR/Pfc Right Hand)	1	-	-	-
20	410-10859	Terminal Box Side Panel (Air Filter) (Eu Machine Dir.)	2	-	-	-
20	410-10873	Terminal Box Side Panel (AVR/Pfc Right Hand) (Eu Machine Dir.)	1	-	-	-
21	410-10173	Terminal Box Lid To (21/07/98)	2	-	-	-
21	410-10497	Terminal Box Lid From (21/07/98)	18	-	-	-
22	410-10536	AVR Cover Plate To (21/07/02)	1	-	-	-
22	450-15254	AVR Cover Plate (Access)	1	-	-	-
22	450-16413	AVR Plastic Cover (Eu Machine Dir.)	1	-	-	-
22	450-16417	AVR Cover (Eu Machine Dir. No Mounting Bracket) X 1	1	-	-	-
23	45-0742	AVR Mounting Bracket	1	-	-	-
24	A060B914	AVR DECS150	1	Yes	A	SC
24	A062Y338	AVR MX322	1	Yes	A	SC
24	E000-23212/1P	AVR MX322	1	Yes	A	SC
24	E000-23215/1P	AVR MX321 UL	1	Yes	A	SC
24	E000-23408/1P	AVR MX341 UL	1	Yes	A	SC
24	E000-23412/1P	AVR MX341	1	Yes	A	SC
24	E000-24403/1P	AVR AS440	1	Yes	A	SC
24	E000-24408/1P	AVR AS440 UL Approved	2	Yes	A	SC
25	450-15489	Auxiliary Terminal Board	2	-	-	-
26	45-0073	Heater Kit 110-125v	1	-	-	-
26	45-0374	Heater 220-260v	1	-	-	-
26	A040G610	Heater 220-260v To Include Term Box For Retro	1	-	-	-
26	A051Y935	Heater Kit 110-125v To Include Term Box For Retro	1	-	-	-
26	A053M957	Heater 110-125v UL Cert	1	-	-	-
26	A053M965	Heater 220-260v UL Cert	1	-	-	-
26	A053X245	Heater Kit 110-125v To Include Term Box For Retro UL Cert	1	-	-	-
26	A053X247	Heater 220-260v To Include Term Box For Retro UL Cert	1	-	-	-
27	45-0024	Terminal Box For Heaters	1	-	-	-

Item	Part No.	Description	Qty.	Recommended Service Part	RSL Class	RSL Type
28	410-10781	DE Bracket From (12/09/04)	1	-	-	-
28	458-11170	DE Bracket To (12/09/04)	1	-	-	-
29	458-10260	DE Bracket Screen	1	-	-	-
30	45-0653	DE Louvre	1	-	-	-
31	410-10708	DE Bearing Cap Outer From (18/08/00)	1	-	-	-
31	458-10130	DE Bearing Cartridge To (18/08/00)	1	-	-	-
32	45-0319	DE Bearing Kit (Sealed) From (18/08/00)	1	Yes	B	M
32	45-0290	DE Bearing Kit (Sealed) To (18/08/00)	1	-	-	-
33	410-10269	DE Bearing Cap Outer To (18/08/00)	8	-	-	-
33	410-10706	DE Bearing Cap Outer From (18/08/00)	2	-	-	-
34	45-0675	2 Bearing Adapter Kit (SAE 0)	1	-	-	-
34	45-0676	2 Bearing Adapter Kit (SAE 1)	1	-	-	-
34	45-0677	2 Bearing Adapter Kit (SAE 0.5)	1	-	-	-
34	45-0910	2 Bearing Adapter Kit (Din 1)	1	-	-	-
35	INCLUDED IN 34	DE Cover Screen (Included In Kits)	2	-	-	-
36	A056D894	Bracket, Foot, F4	1	-	-	-
36	A056V555	Bar, Foot, F4	2	-	-	-
36	A056V557	Bar, Foot, F4	2	-	-	-

18 S4 (C-F) One Bearing Alternator

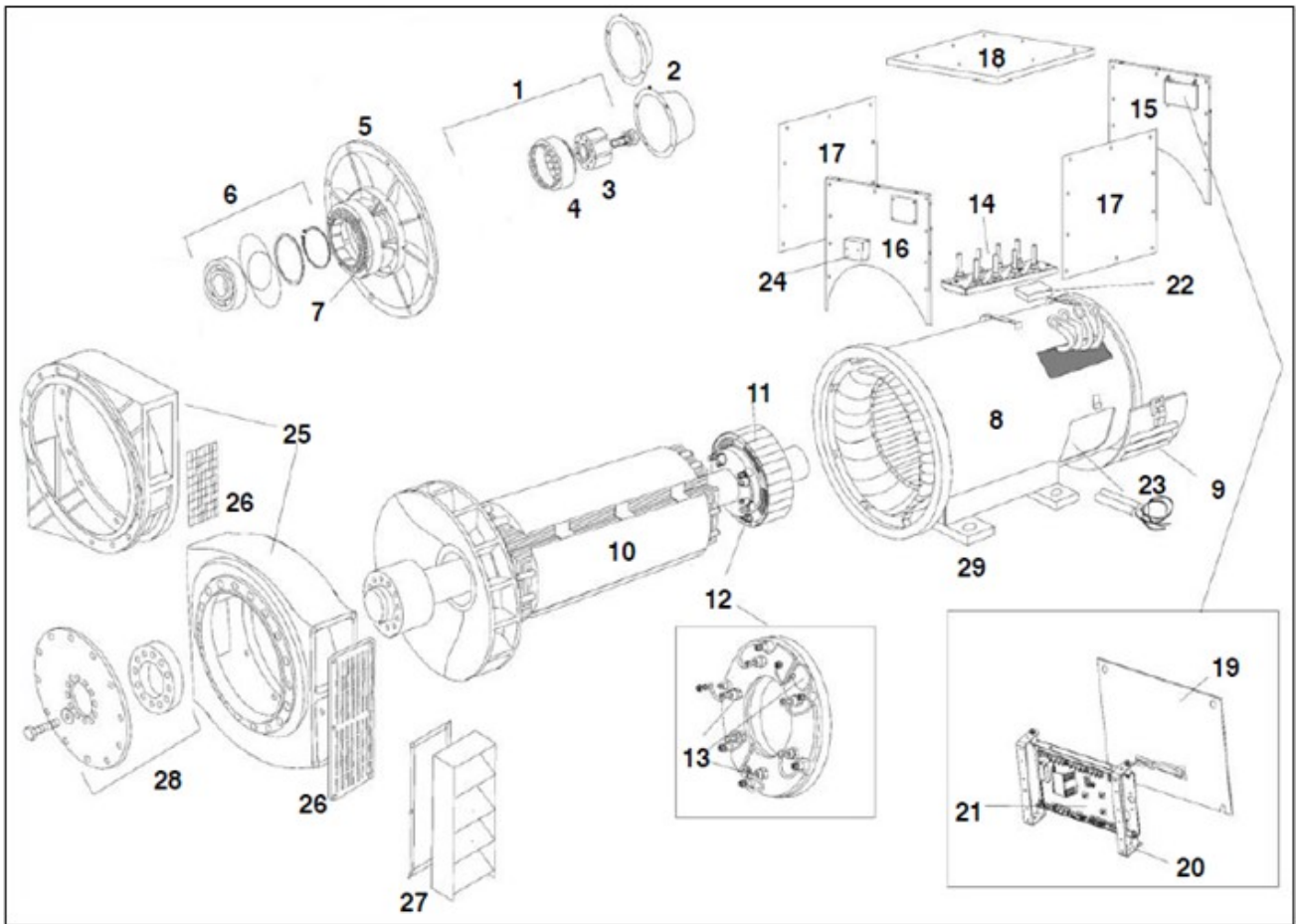


FIGURE 17. S4 (C-F) ONE BEARING ALTERNATOR PARTS DRAWING

TABLE 18. S4 (C-F) ONE BEARING ALTERNATOR PARTS LIST

Item	Part No.	Description	Qty.	Recommended Service Part	RSL Class	RSL Type
1	45-0318A	Complete PMG Upfit Kit	1	Yes	B	SC
2	410-10704	PMG Cover Only Included In Item 1	1	-	-	-
2	410-10705	Non PMG Cover (From 18/08/00)	1	-	-	-
3	45-1082	PMG Rotor/Stator Repair Kit	1	Yes	B	SC
4	45-1082	PMG Rotor/Stator Repair Kit	1	Yes	B	SC
5	410-10703	NDE Bracket From (02/2000)	1	-	-	-
6	45-0320	NDE Bearing Kit (Sealed) From (30/09/00)	1	Yes	B	M
7	410-1052	Exciter Stator 50mm	1	Yes	A	SC
7	A052D639	Exciter Stator 50mm Severe Environmental	1	-	-	-
8	QMSN	Main Stator Frame Assembly	1	-	-	-
9	410-10799	NDE Air Inlet Cover (Industrial)	1	-	-	-

Item	Part No.	Description	Qty.	Recommended Service Part	RSL Class	RSL Type
9	458-20200	NDE Air Inlet Cover (Louvred)	1	-	-	-
9	458-20400	NDE Air Inlet Cover (Air Filter)	1	-	-	-
10	QMSN	Main Rotor Assembly	1	-	-	-
11	410-1194	Exciter Rotor 50mm From (22/11/99)	1	Yes	A	SC
12	450-16016	Rotating Rectifier Assembly	1	Yes	B	SC
13	RSK-5001	Diode Forward/Reverse And Varistor Kit	1	Yes	A	SC
14	410-10720	Main Terminal Board	1	-	-	-
15	410-10785	Terminal Box End Panel NDE From (21/07/02)	1	-	-	-
15	410-10790	Terminal Box End Panel NDE Reconstructable 410-10790	1	-	-	-
15	410-10872	Terminal Box End Panel NDE From (Eu Machine Dir.)	1	-	-	-
16	410-10784	Terminal Box End Panel DE From (21/07/02)	1	-	-	-
16	410-10789	Terminal Box End Panel NDE Reconstructable	1	-	-	-
16	410-10871	Terminal Box End Panel DE From (Eu Machine Dir.)	1	-	-	-
17	410-10786	Terminal Box Side Panel From (21/07/98)	2	-	-	-
17	410-10788	Terminal Box Side Panel (Gland-Plate)	2	-	-	-
17	410-10803	Terminal Box Side Panel (Air Filter)	2	-	-	-
17	410-10819	Terminal Box Side Panel (AVR/Pfc Right Hand)	1	-	-	-
17	410-10859	Terminal Box Side Panel (Air Filter) (Eu Machine Dir.)	2	-	-	-
17	410-10873	Terminal Box Side Panel (AVR/Pfc Right Hand) (Eu Machine Dir.)	1	-	-	-
18	410-10497	Terminal Box Lid From (21/07/98)	16	-	-	-
19	450-16417	AVR Cover (Eu Machine Dir. No Mounting Bracket) X 1	1	-	-	-
20	45-0742	AVR Mounting Bracket	1	-	-	-
21	A060B914	AVR DECS150	1	Yes	A	SC
21	A062Y338	AVR MX322	1	Yes	A	SC
21	E000-23212/1P	AVR MX321	1	Yes	A	SC
21	E000-23215/1P	AVR MX321 UL	1	Yes	A	SC
21	E000-23408/1P	AVR MX341 UL	1	Yes	A	SC

Item	Part No.	Description	Qty.	Recommended Service Part	RSL Class	RSL Type
21	E000-23412/1P	AVR MX341	1	Yes	A	SC
21	E000-24403/1P	AVR AS440	1	Yes	A	SC
21	E000-24408/1P	AVR AS440 UL Approved	1	Yes	A	SC
22	450-15489	Auxiliary Terminal Board	2	-	-	-
23	45-0373	Heater 110-125v	1	-	-	-
23	45-0374	Heater 220-260v	1	-	-	-
23	A040G610	Heater 220-260v To Include Term Box For Retro	1	-	-	-
23	A051Y935	Heater Kit 110-125v To Include Term Box For Retro	1	-	-	-
23	A053M957	Heater 110-125v UL Cert.	1	-	-	-
23	A053M965	Heater 220-260v UL Cert.	1	-	-	-
23	A053X245	Heater Kit 110-125v To Include Term Box For Retro UL Cert	1	-	-	-
23	A053X247	Heater 220-260v To Include Term Box For Retro UL Cert	1	-	-	-
24	45-0024	Terminal Box For Heaters	1	-	-	-
25	45-0663	DE Adaptor Kit SAE 0	1	-	-	-
25	45-0664	DE Adaptor Kit SAE 0.5	1	-	-	-
25	45-0665	DE Adaptor Kit SAE 1	1	-	-	-
25	45-0721	DE Adapter Kit (SAE 2)	1	-	-	-
25	45-0753	DE Adapter Kit (SAE3)	1	-	-	-
25	45-0916	DE Adapter Kit (SAE 1 Round)	1	-	-	-
26	410-10762	DE Screen Included In Adaptor Kits	2	-	-	-
27	45-0651	DE Louvre (SAE 0.5 And 1)	1	-	-	-
27	45-0652	DE Louvre SAE0	1	-	-	-
28	45-0776	Coupling Kit SAE 11.5	1	-	-	-
28	45-0777	Coupling Kit SAE 14	1	-	-	-
28	45-0778	Coupling Kit SAE 18	1	-	-	-
28	45-0779	Coupling Kit SAE 17.75	1	-	-	-
29	A056D894	Bracket, Foot, F4	1	-	-	-
29	A056V555	Bar, Foot, F4	2	-	-	-
29	A056V557	Bar, Foot, F4	2	-	-	-

-

This page is intentionally blank.

19 S4 (C-F) Two Bearing Alternator

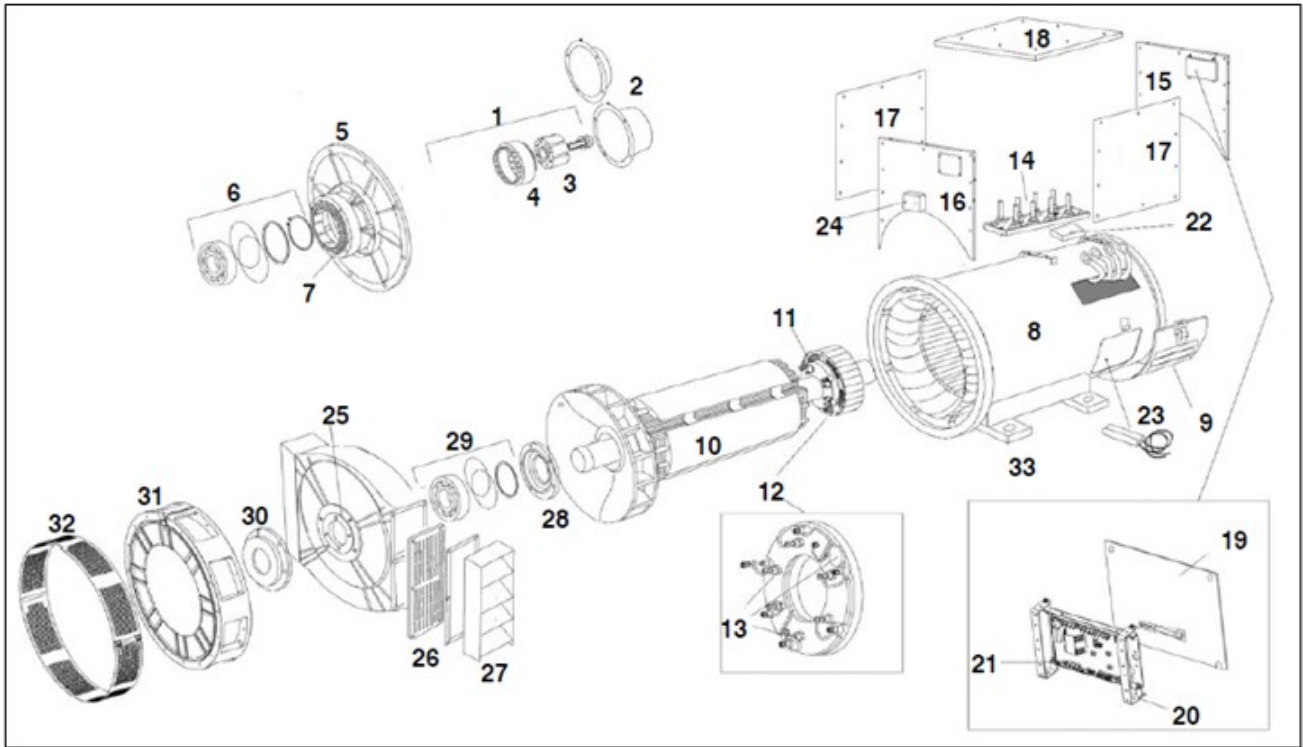


FIGURE 18. S4 (C-F) TWO BEARING ALTERNATOR PARTS DRAWING

TABLE 19. S4 (C-F) TWO BEARING ALTERNATOR PARTS LIST

Item	Part No.	Description	Qty.	Recommended Service Part	RSL Class	RSL Type
1	45-0318A	Complete PMG Upfit Kit	1	Yes	B	SC
2	410-10704	PMG Cover Only Included In Item 1	1	-	-	-
2	410-10705	Non PMG Cover (From 18/08/00)	1	-	-	-
3	45-1082	PMG Rotor/Stator Repair Kit	1	Yes	B	SC
4	45-1082	PMG Rotor/Stator Repair Kit	1	Yes	B	SC
5	410-10703	NDE Bracket From (02/2000)	1	-	-	-
6	45-0320	NDE Bearing Kit (Sealed) From (30/09/00)	1	Yes	B	M
7	410-1052	Exciter Stator 50mm	1	Yes	A	SC
7	A052D639	Exciter Stator 50mm Severe Environmental	1	-	-	-
8	QMSN	Main Stator Frame Assembly	1	-	-	-
9	410-10799	NDE Air Inlet Cover (Industrial)	1	-	-	-
9	458-20200	NDE Air Inlet Cover (Louvred)	1	-	-	-
9	458-20400	NDE Air Inlet Cover (Air Filter)	1	-	-	-
10	QMSN	Main Rotor Assembly	1	-	-	-

Item	Part No.	Description	Qty.	Recommended Service Part	RSL Class	RSL Type
11	410-1194	Exciter Rotor 50mm From (22/11/99)	1	Yes	A	SC
12	450-16016	Rotating Rectifier Assembly	1	Yes	B	SC
13	RSK-5001	Diode Forward/Reverse And Varistor Kit	1	Yes	A	SC
14	410-10720	Main Terminal Board	1	-	-	-
15	410-10785	Terminal Box End Panel NDE From (21/07/02)	1	-	-	-
15	410-10790	Terminal Box End Panel NDE Reconstructable 410-10790	1	-	-	-
15	410-10872	Terminal Box End Panel NDE From (Eu Machine Dir.)	1	-	-	-
16	410-10784	Terminal Box End Panel DE From (21/07/02)	1	-	-	-
16	410-10789	Terminal Box End Panel NDE Reconstructable	1	-	-	-
16	410-10871	Terminal Box End Panel DE From (Eu Machine Dir.)	1	-	-	-
17	410-10786	Terminal Box Side Panel From (21/07/98)	2	-	-	-
17	410-10788	Terminal Box Side Panel (Gland-Plate)	2	-	-	-
17	410-10803	Terminal Box Side Panel (Air Filter)	2	-	-	-
17	410-10819	Terminal Box Side Panel (AVR/Pfc Right Hand)	1	-	-	-
17	410-10859	Terminal Box Side Panel (Air Filter) (Eu Machine Dir.)	2	-	-	-
17	410-10873	Terminal Box Side Panel (AVR/Pfc Right Hand) (Eu Machine Dir.)	1	-	-	-
18	410-10497	Terminal Box Lid From (21/07/98)	17	-	-	-
19	450-16417	AVR Cover (Eu Machine Dir. No Mounting Bracket) X 1	1	-	-	-
20	45-0742	AVR Mounting Bracket	1	-	-	-
21	A060B914	AVR DECS150	1	Yes	A	SC
21	A062Y338	AVR MX322	1	Yes	A	SC
21	E000-23212/1P	AVR MX321	1	Yes	A	SC
21	E000-23215/1P	AVR MX321 UL	1	Yes	A	SC
21	E000-23408/1P	AVR MX341 UL	1	Yes	A	SC
21	E000-23412/1P	AVR MX341	1	Yes	A	SC
21	E000-24403/1P	AVR AS440	1	Yes	A	SC
21	E000-24408/1P	AVR AS440 UL Approved	1	Yes	A	SC

Item	Part No.	Description	Qty.	Recommended Service Part	RSL Class	RSL Type
22	450-15489	Auxiliary Terminal Board	2	-	-	-
23	45-0373	Heater 110-125v	1	-	-	-
23	45-0374	Heater 220-260v	1	-	-	-
23	A040G610	Heater 220-260v To Include Term Box For Retro	1	-	-	-
23	A051Y935	Heater Kit 110-125v To Include Term Box For Retro	1	-	-	-
23	A053M957	Heater 110-125v UL Cert.	1	-	-	-
23	A053M965	Heater 220-260v UL Cert.	1	-	-	-
23	A053X245	Heater Kit 110-125v To Include Term Box For Retro UL Cert	1	-	-	-
23	A053X247	Heater 220-260v To Include Term Box For Retro UL Cert	1	-	-	-
24	45-0024	Terminal Box For Heaters	1	-	-	-
25	410-10781	DE Bracket From (12/09/04)	1	-	-	-
26	458-10260	DE Bracket Screen	2	-	-	-
27	45-0653	DE Louvre	1	-	-	-
28	410-10708	DE Bearing Cap Outer From (18/08/00)	1	-	-	-
29	45-0319	DE Bearing Kit From (18/08/00)	1	Yes	B	M
30	410-10706	DE Bearing Cap Outer From (18/08/00)	1	-	-	-
31	45-0675	2 Bearing Adapter Kit (SAE 0)	1	-	-	-
31	45-0676	2 Bearing Adapter Kit (SAE 1)	1	-	-	-
31	45-0677	2 Bearing Adapter Kit (SAE 0.5)	1	-	-	-
31	45-0910	2 Bearing Adapter Kit (Din 1)	1	-	-	-
32	INCLUDED IN ITEM 31	DE Cover Screen (Included In Kits)	2	-	-	-
33	A056D894	Bracket, Foot, F4	1	-	-	-
33	A056V555	Bar, Foot, F4	2	-	-	-
33	A056V557	Bar, Foot, F4	2	-	-	-

-

This page is intentionally blank.

20 S4 (G) One Bearing (Dedicated) Alternator

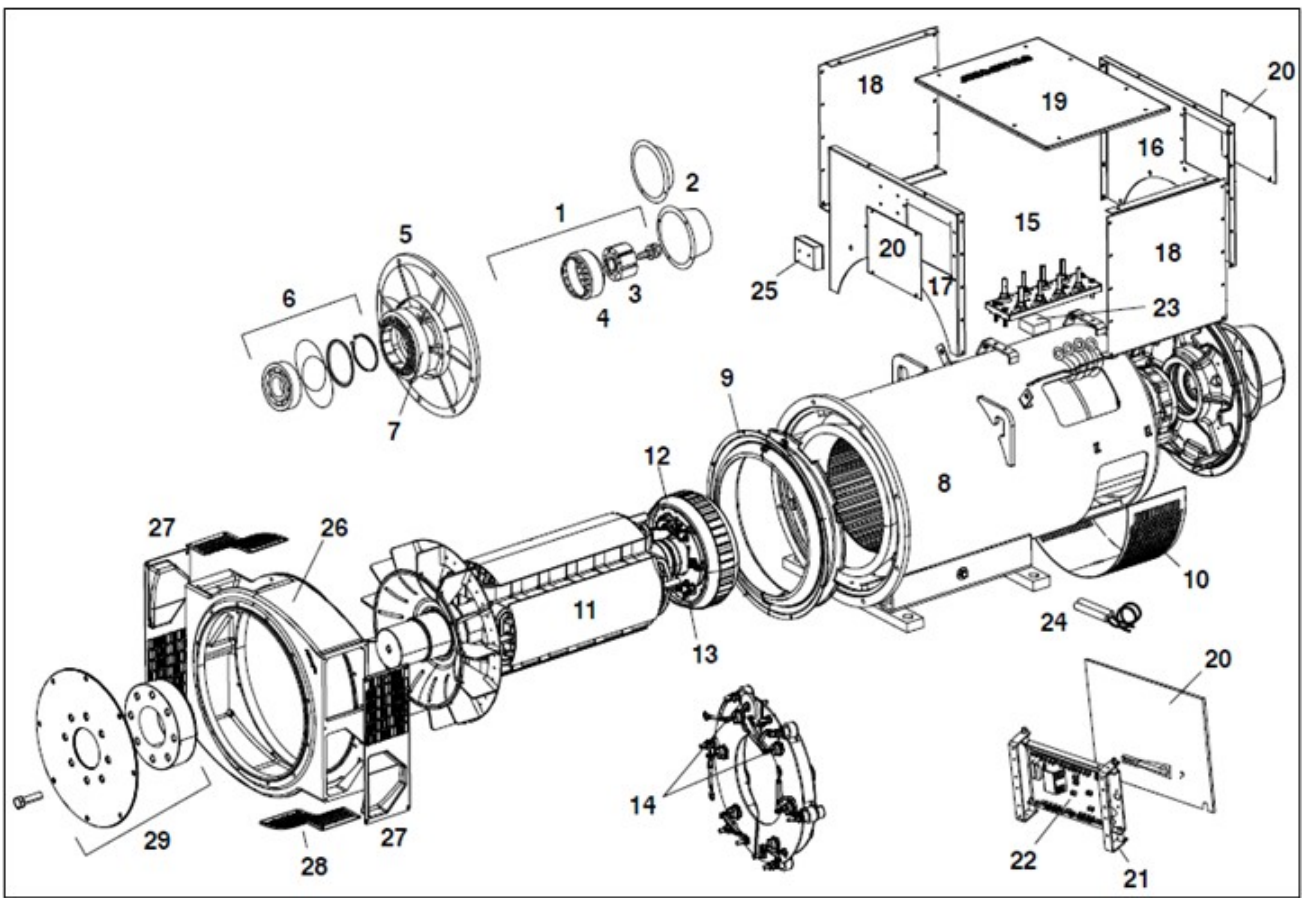


FIGURE 19. S4 (G) ONE BEARING (DEDICATED) ALTERNATOR PARTS DRAWING

TABLE 20. S4 (G) ONE BEARING (DEDICATED) ALTERNATOR PARTS LIST

Item	Part No.	Description	Qty.	Recommended Service Part	RSL Class	RSL Type
1	45-0318A	Complete PMG Upfit Kit	1	Yes	B	SC
2	410-10704	PMG Cover Only Included In Item 1	1	-	-	-
2	410-10705	Non PMG Cover (From 18/08/00)	1	-	-	-
3	45-1082	PMG Rotor/Stator Repair Kit	1	Yes	B	SC
4	45-1082	PMG Rotor/Stator Repair Kit	1	Yes	B	SC
5	410-10703	NDE Bracket From (02/2000)	1	-	-	-
6	45-0320	NDE Bearing Kit (Sealed) From (30/09/00)	1	Yes	B	M
7	410-1052	Exciter Stator 50mm	1	Yes	A	SC
7	A052D639	Exciter Stator 50mm Severe Environmental	1	-	-	-
8	QMSN	Main Stator Frame Assembly	1	-	-	-

Item	Part No.	Description	Qty.	Recommended Service Part	RSL Class	RSL Type
9	A054S342	Air Flow Baffle (G)	2	Yes	A	SC
10	410-10799	NDE Air Inlet Cover (Industrial)	1	-	-	-
10	458-20200	NDE Air Inlet Cover (Louvred)	1	-	-	-
10	458-20400	NDE Air Inlet Cover (Air Filter)	1	-	-	-
11	QMSN	Main Rotor Assembly	1	-	-	-
12	410-1194	Exciter Rotor 50mm From (22/11/99)	1	Yes	A	SC
13	450-16016	Rotating Rectifier Assembly	1	Yes	B	SC
14	RSK-5001	Diode Forward/Reverse And Varistor Kit	1	Yes	A	SC
15	410-10720	Main Terminal Board	1	-	-	-
16	410-10785	Terminal Box End Panel NDE From (21/07/02)	1	-	-	-
16	410-10790	Terminal Box End Panel NDE Reconstructable 410-10790	1	-	-	-
16	410-10872	Terminal Box End Panel NDE From (Eu Machine Dir.)	1	-	-	-
17	410-10784	Terminal Box End Panel DE From (21/07/02)	1	-	-	-
17	410-10789	Terminal Box End Panel NDE Reconstructable	1	-	-	-
17	410-10871	Terminal Box End Panel DE From (Eu Machine Dir.)	1	-	-	-
18	410-10786	Terminal Box Side Panel From (21/07/98)	2	-	-	-
18	410-10788	Terminal Box Side Panel (Gland- Plate)	2	-	-	-
18	410-10803	Terminal Box Side Panel (Air Filter)	2	-	-	-
18	410-10819	Terminal Box Side Panel (AVR/Pfc Right Hand)	1	-	-	-
18	410-10859	Terminal Box Side Panel (Air Filter) (Eu Machine Dir.)	2	-	-	-
18	410-10873	Terminal Box Side Panel (AVR/Pfc Right Hand) (Eu Machine Dir.)	1	-	-	-
19	450-16417	AVR Cover (Eu Machine Dir. No Mounting Bracket) X 1	1	-	-	-
20	450-15254	AVR Cover Plate (Access)	1	-	-	-
21	45-0742	AVR Mounting Bracket	1	-	-	-
22	A060B914	AVR DECS150	1	Yes	A	SC
22	A062Y338	AVR MX322	1	Yes	A	SC
22	E000-23212/1P	AVR MX321	1	Yes	A	SC

Item	Part No.	Description	Qty.	Recommended Service Part	RSL Class	RSL Type
22	E000-23215/1P	AVR MX321 UL	1	Yes	A	SC
22	E000-23408/1P	AVR MX341 UL	1	Yes	A	SC
22	E000-23412/1P	AVR MX341	1	Yes	A	SC
22	E000-24403/1P	AVR AS440	1	Yes	A	SC
22	E000-24408/1P	AVR AS440 UL Approved	1	Yes	A	SC
23	450-15489	Auxiliary Terminal Board	2	-	-	-
24	45-0373	Heater 110-125v	1	-	-	-
24	A051Y935	Heater Kit 110-125v To Include Term Box For Retro	1	-	-	-
24	A053M957	Heater 110-125v UL Cert.	1	-	-	-
24	A053X245	Heater Kit 110-125v To Include Term Box For Retro UL Cert	1	-	-	-

-

This page is intentionally blank.

21 HC534 (C-F) One Bearing (Ser 3-4) Alternator

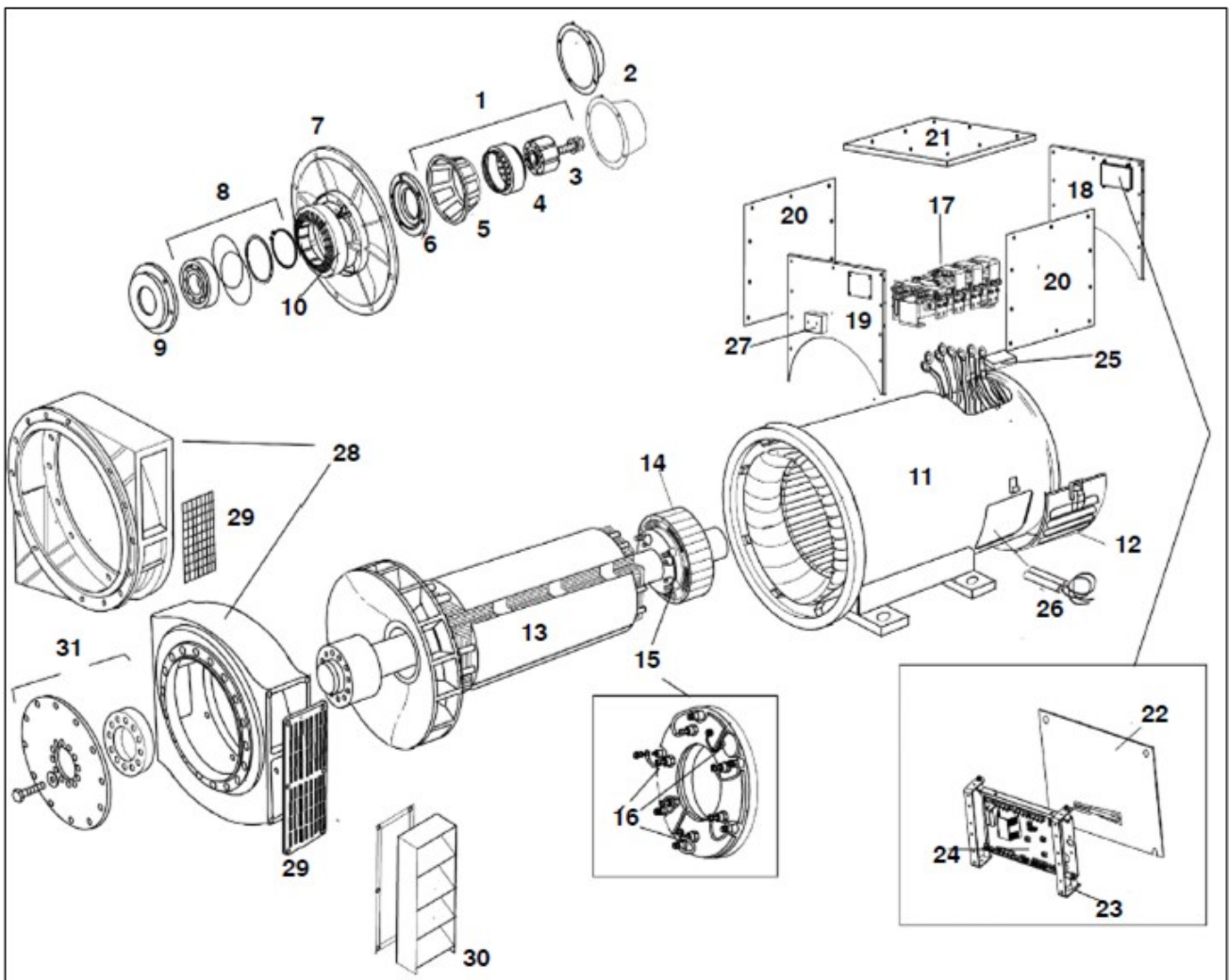


FIGURE 20. HC534 (C-F) ONE BEARING (SER 3-4) ALTERNATOR PARTS DRAWING

TABLE 21. HC534 (C-F) ONE BEARING (SER 3-4) ALTERNATOR PARTS LIST

Item	Part No.	Description	Qty.	Recommended Service Part	RSL Class	RSL Type
1	45-0328A	NDE Bearing Kit (Sealed) From (30/09/00)	1	Yes	B	SC
1	45-0059A	Complete PMG Upfit Kit (To 18/08/00) (Obsolete)	1	-	-	-
2	410-10704	PMG Cover Only Included In Item 2	1	-	-	-
2	410-10705	Non PMG Cover (From 18/08/00)	1	-	-	-
2	450-12590	Non PMG Cover (To 18/08/00)	1	-	-	-
2	450-13350	PMG Cover Only Included In Kit 45-0059a	1	-	-	-
3	45-1082	PMG Rotor/Stator Repair Kit	1	Yes	B	SC

Item	Part No.	Description	Qty.	Recommended Service Part	RSL Class	RSL Type
4	45-1082	PMG Rotor/Stator Repair Kit	1	Yes	B	SC
5	SEE NO. 1	PMG Crown (If Fitted)	1	-	-	-
6	410-10268	NDE Bearing Cap To (30/09/00)	1	-	-	-
6	520-10812	NDE Bearing Cap (Regreasable Bearing)	1	-	-	-
7	520-10306	NDE Bracket To (30/09/00)	1	-	-	-
7	520-10780	NDE Bracket From (30/09/00)	1	-	-	-
7	520-10810	NDE Bracket (Regreasable Bearing)	1	-	-	-
8	45-0320	NDE Bearing Kit (Sealed) From (30/09/00)	1	Yes	B	M
8	45-1099	NDE Bearing Kit (Regreasable)	1	Yes	B	SC
8	45-0291	NDE Bearing Kit (Sealed) To (30/09/00)	1	-	-	-
9	458-12960	NDE Bearing Cartridge To (20/09/2000)	1	-	-	-
9	520-10811	NDE Bearing Cartridge From (20/09/2000)	1	-	-	-
10	410-1052	Exciter Stator 50mm	1	Yes	A	SC
10	520-10286	Exciter Stator 65mm	1	Yes	A	SC
10	A052D639	Exciter Stator 50mm Severe Environmental	1	-	-	-
10	A052D940	Exciter Stator 65mm Severe Environmental	1	-	-	-
11	QMSN	Main Stator Frame Assembly	1	-	-	-
12	462-20100	NDE Air Inlet Cover (Louvred)	1	-	-	-
12	520-10933	NDE Air Inlet Cover (Industrial)	1	-	-	-
13	QMSN	Main Rotor Assembly	1	-	-	-
14	520-1142	Exciter Rotor 65mm To Fit Internal Bore Diameter 110mm	1	Yes	A	SC
14	462-23400	Exciter Rotor 50mm (No Longer Available)	1	-	-	-
14	520-10305	Exciter Rotor 65mm To Fit Internal Bore Diameter 98mm (No Longer Available)	1	-	-	-
15	450-16016	Rotating Rectifier Assembly	1	Yes	B	SC
16	RSK-5001	Diode Forward/Reverse And Varistor Kit	1	Yes	A	SC
17	QMSN	Main Terminal Board	1	-	-	-
18	520-10153	Terminal Box End Panel NDE To (08/1998)	1	-	-	-

Item	Part No.	Description	Qty.	Recommended Service Part	RSL Class	RSL Type
18	520-10534	Terminal Box End Panel NDE To (19//09/1998)	1	-	-	-
18	520-10907	Terminal Box End Panel NDE From (20/09/1998)	1	-	-	-
18	520-10911	Terminal Box End Panel NDE (Reverse Entry)	1	-	-	-
18	520-10914	Terminal Box End Panel NDE (Reconnectable)	1	-	-	-
18	520-10917	Terminal Box End Panel NDE (High Box)	1	-	-	-
18	520-10918	Terminal Box End Panel NDE (Pg Gland)	1	-	-	-
18	520-10920	Terminal Box End Panel NDE (Railway App)	1	-	-	-
18	520-10982	Terminal Box End Panel NDE (To Fit AVR DM110)	1	-	-	-
18	520-11026	Terminal Box End Panel NDE (Eu Machine Dir.)	1	-	-	-
18	520-11028	Terminal Box End Panel NDE (Reverse Entry) (Eu Machine Dir.)	1	-	-	-
18	520-11030	Terminal Box End Panel NDE (High Box) (Eu Machine Dir.)	1	-	-	-
18	520-11032	Terminal Box End Panel NDE (Pg Gland) (Eu Machine Dir.)	1	-	-	-
18	520-11033	Terminal Box End Panel NDE (Railway App) (Eu Machine Dir.)	1	-	-	-
19	520-10181	Terminal Box End Panel DE to (08/1998)	1	-	-	-
19	520-10906	Terminal Box End Panel DE From (08/1998)	1	-	-	-
19	520-10910	Terminal Box End Panel DE (Reverse Entry)	1	-	-	-
19	520-10913	Terminal Box End Panel DE (Reconnectable)	1	-	-	-
19	520-10916	Terminal Box End Panel DE (High Box)	1	-	-	-
19	520-11025	Terminal Box End Panel DE From (Eu Machine Dir.)	1	-	-	-
19	520-11027	Terminal Box End Panel DE (Reverse Entry) (Eu Machine Dir.)	1	-	-	-
19	520-11029	Terminal Box End Panel DE (High Box) (Eu Machine Dir.)	1	-	-	-
20	462-11880	Terminal Box Side Panel To (08/1998)	2	-	-	-

Item	Part No.	Description	Qty.	Recommended Service Part	RSL Class	RSL Type
20	520-10908	Terminal Box Side Panel From (08/1998)	2	-	-	-
20	520-10909	Terminal Box Side Panel (Air Filters) From (08/1998)	2	-	-	-
20	520-10912	Terminal Box Side Panel (Pf Control Diff)	1	-	-	-
20	520-10921	Terminal Box Side Panel (Railway App)	2	-	-	-
20	520-11015	Terminal Box Side Panel (Reconnectable/Air Filters) (Eu Machine Dir.)	2	-	-	-
20	520-11031	Terminal Box Side Panel (Railway App) (Eu Machine Dir.)	2	-	-	-
21	462-11840	Terminal Box Lid To (08/1998)	1	-	-	-
21	520-10536	Terminal Box Lid From (08/1998)	1	-	-	-
22	450-14310	AVR Cover Plate	1	-	-	-
22	450-16413	AVR Plastic Cover (Eu Machine Dir.)	1	-	-	-
22	450-16417	AVR Cover Plate (Access) (Eu Machine Dir.)	1	-	-	-
23	45-0742	AVR Mounting Bracket	1	-	-	-
24	A062Y338	AVR MX322	1	-	-	-
24	E000-24210/1P	AVR SX421	1	-	-	-
24	A060B914	AVR DECS150	1	Yes	A	SC
24	E000-23212/1P	AVR MX321	1	Yes	A	SC
24	E000-23215/1P	AVR MX321 UL	1	Yes	A	SC
24	E000-23408/1P	AVR MX341 UL	1	Yes	A	SC
24	E000-23412/1P	AVR MX341	1	Yes	A	SC
24	E000-24403/1P	AVR AS440	1	Yes	A	SC
24	E000-24408/1P	AVR AS440 UL Approved	1	Yes	A	SC
25	450-15489	Auxiliary Terminal Board	2	-	-	-
26	45-0073	Heater Kit 110-125v	1	-	-	-
26	45-0074	Heater 220-260v	1	-	-	-
26	A040G620	Heater Kit 220-260v To Include Term Box For Retro	1	-	-	-
26	A040G624	Heater Kit 110-125v To Include Term Box For Retro	1	-	-	-
26	A053M968	Heater 110-125v UL Cert	1	-	-	-
26	A053N002	Heater 220-260v UL Cert	1	-	-	-

Item	Part No.	Description	Qty.	Recommended Service Part	RSL Class	RSL Type
26	A053X252	Heater Kit 110-125v To Include Term Box For Retro UL Cert	1	-	-	-
26	A053X255	Heater Kit 220-260v To Include Term Box For Retro UL Cert	1	-	-	-
27	45-0024	Terminal Box For Heaters	1	-	-	-
28	45-0666	DE Adaptor Kit SAE 00	1	-	-	-
28	45-0667	DE Adaptor Kit SAE 0	1	-	-	-
28	45-0668	DE Adaptor Kit SAE 0.5	1	-	-	-
28	45-0669	DE Adaptor Kit SAE 1	1	-	-	-
28	45-0802	DE Adaptor Kit (SAE 1 Round)	1	-	-	-
28	45-0917	DE Adaptor Kit (SAE 1 Round/Heavy Duty)	1	-	-	-
28	A051Y674	DE Adaptor Kit (SAE 0 Round/Heavy Duty)	1	-	-	-
29	SEE NO. 28	DE Screen (Included In Adaptor Kits)	2	-	-	-
30	45-0654	DE Louvre SAE 00	1	-	-	-
30	45-0655	DE Louvre SAE 0 And 0.5 And 1	1	-	-	-
31	45-0780	Coupling Kit SAE 14	1	-	-	-
31	45-0781	Coupling Kit SAE 18	1	-	-	-
31	45-0782	Coupling Kit SAE 21	1	-	-	-
31	45-0783	Coupling Kit SAE 17.75	1	-	-	-

-

This page is intentionally blank.

22 HC534 (C-F) Two Bearing (Ser 3-4) Alternator

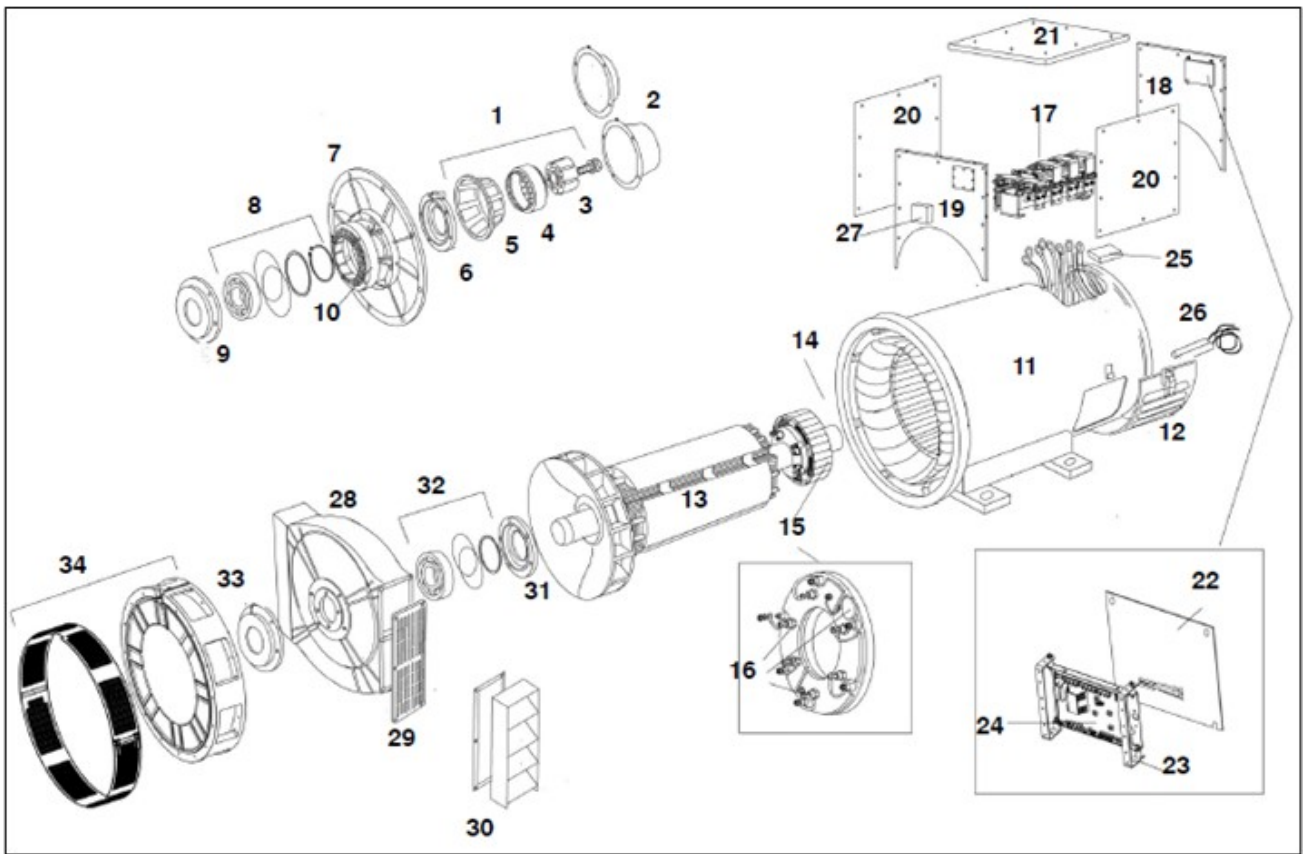


TABLE 22. HC534 (C-F) TWO BEARING (SER 3-4) ALTERNATOR PARTS LIST

Item	Part No.	Description	Qty.	Recommended Service Part	RSL Class	RSL Type
1	45-0328A	Complete PMG Upfit Kit	1	Yes	B	SC
1	45-0060A	Complete PMG Upfit Kit (To 18/08/00) (Obsolete)	1	-	-	-
2	410-10704	PMG Cover Only Included In Item 1	1	-	-	-
2	410-10705	Non PMG Cover (From 18/08/00)	1	-	-	-
2	450-12590	Non PMG Cover (To 18/08/00)	1	-	-	-
2	450-13350	PMG Cover Only Included In Kit 45-0059a	1	-	-	-
3	45-1082	PMG Rotor/Stator Repair Kit	1	Yes	B	SC
4	45-1082	PMG Rotor/Stator Repair Kit	1	Yes	B	SC
5	SEE NO. 1	PMG Crown (If Fitted)	1	-	-	-
6	410-10267	NDE Bearing Cap To (30/09/00)	6	-	-	-
6	520-10812	NDE Bearing Cap (Regreasable Bearing)	1	-	-	-
7	520-10306	NDE Bracket To (30/09/00)	1	-	-	-
7	520-10780	NDE Bracket From (30/09/00)	1	-	-	-
7	520-10810	NDE Bracket (Regreasable Bearing)	1	-	-	-

Item	Part No.	Description	Qty.	Recommended Service Part	RSL Class	RSL Type
8	45-0320	NDE Bearing Kit (Sealed) From (30/09/00)	1	Yes	B	M
8	45-1099	PMG Rotor/Stator Repair Kit	1	Yes	B	SC
8	45-0291	NDE Bearing Kit (Sealed) To (30/09/00)	1	-	-	-
9	458-10110	NDE Bearing Cartridge To (20/09/2000)	1	-	-	-
9	520-10811	NDE Bearing Cartridge From (20/09/2000)	1	-	-	-
10	410-1052	Exciter Stator 50mm	1	Yes	A	SC
10	520-10286	Exciter Stator 65mm	1	Yes	A	SC
10	A052D639	Exciter Stator 50mm Severe Environmental	1	-	-	-
10	A052D940	Exciter Stator 65mm Severe Environmental	1	-	-	-
11	QMSN	Main Stator Frame Assembly	1	-	-	-
12	462-20100	NDE Air Inlet Cover (Louvred)	1	-	-	-
12	520-10933	NDE Air Inlet Cover (Industrial)	1	-	-	-
13	QMSN	Main Rotor Assembly	1	-	-	-
14	520-1142	Exciter Rotor 65mm To Fit Internal Bore Diameter 110mm	1	Yes	A	SC
14	462-23400	Exciter Rotor 50mm (No Longer Available)	1	-	-	-
14	520-10305	Exciter Rotor 65mm To Fit Internal Bore Diameter 98mm (No Longer Available)	1	-	-	-
15	450-16016	Rotating Rectifier Assembly	1	Yes	B	SC
16	RSK-5001	Diode Forward/Reverse And Varistor Kit	1	Yes	A	SC
17	QMSN	Main Terminal Board	1	-	-	-
18	520-10153	Terminal Box End Panel NDE To (08/1998)	1	-	-	-
18	520-10534	Terminal Box End Panel NDE To (19//09/1998)	1	-	-	-
18	520-10907	Terminal Box End Panel NDE From (20/09/1998)	1	-	-	-
18	520-10911	Terminal Box End Panel NDE (Reverse Entry)	1	-	-	-
18	520-10914	Terminal Box End Panel NDE (Reconnectable)	1	-	-	-
18	520-10917	Terminal Box End Panel NDE (High Box)	1	-	-	-
18	520-10918	Terminal Box End Panel NDE (Pg				

Item	Part No.	Description	Qty. 1	Recommended Service Part	RSL Class	RSL Type
		Gland)				
18	520-10920	Terminal Box End Panel NDE (Railway App)	1	-	-	-
18	520-10982	Terminal Box End Panel NDE (To Fit AVR DM110)	1	-	-	-
18	520-11026	Terminal Box End Panel NDE (Eu Machine Dir.)	1	-	-	-
18	520-11028	Terminal Box End Panel NDE (Reverse Entry) (Eu Machine Dir.)	1	-	-	-
18	520-11030	Terminal Box End Panel NDE (High Box) (Eu Machine Dir.)	1	-	-	-
18	520-11032	Terminal Box End Panel NDE (Pg Gland) (Eu Machine Dir.)	1	-	-	-
18	520-11033	Terminal Box End Panel NDE (Railway App) (Eu Machine Dir.)	1	-	-	-
19	520-10181	Terminal Box End Panel DE to (08/1998)	1	-	-	-
19	520-10906	Terminal Box End Panel DE From (08/1998)	1	-	-	-
19	520-10910	Terminal Box End Panel DE (Reverse Entry)	1	-	-	-
19	520-10913	Terminal Box End Panel DE (Reconnectable)	1	-	-	-
19	520-10916	Terminal Box End Panel DE (High Box)	1	-	-	-
19	520-11025	Terminal Box End Panel DE From (Eu Machine Dir.)	1	-	-	-
19	520-11027	Terminal Box End Panel DE (Reverse Entry) (Eu Machine Dir.)	1	-	-	-
19	520-11029	Terminal Box End Panel DE (High Box) (Eu Machine Dir.)	1	-	-	-
20	462-11880	Terminal Box Side Panel To (08/1998)	2	-	-	-
20	520-10908	Terminal Box Side Panel From (08/1998)	2	-	-	-
20	520-10909	Terminal Box Side Panel (Air Filters) From (08/1998)	2	-	-	-
20	520-10912	Terminal Box Side Panel (Pf Control Diff)	1	-	-	-
20	520-10921	Terminal Box Side Panel (Railway App)	2	-	-	-
20	520-11015	Terminal Box Side Panel (Reconnectable/Air Filters) (Eu Machine Dir.)	2	-	-	-
20	520-11031	Terminal Box Side Panel (Railway				

Item	Part No.	Description	Qty. 2	Recommended Service Part	RSL Class	RSL Type
		App) (Eu Machine Dir.)				
21	462-11840	Terminal Box Lid To (08/1998)	1	-	-	-
21	520-10536	Terminal Box Lid From (08/1998)	1	-	-	-
22	450-14310	AVR Cover Plate	1	-	-	-
22	450-16413	AVR Cover (Eu Machine Dir.) (Where AVR Fitted)	1	-	-	-
22	450-16417	AVR Cover (Eu Machine Dir. No Mounting Bracket) X 1	1	-	-	-
23	45-0742	AVR Mounting Bracket	1	-	-	-
24	A060B914	AVR DECS150	1	Yes	A	SC
24	A062Y338	AVR MX322	1	Yes	A	SC
24	E000-23212/1P	AVR MX321	1	Yes	A	SC
24	E000-23215/1P	AVR MX321 UL	1	Yes	A	SC
24	E000-23408/1P	AVR MX341 UL	1	Yes	A	SC
24	E000-23412/1P	AVR MX341	1	Yes	A	SC
24	E000-24210/1P	AVR SX421	1	Yes	A	SC
24	E000-24403/1P	AVR AS440	1	Yes	A	SC
24	E000-24408/1P	AVR AS440 UL Approved	1	Yes	A	SC
25	450-15489	Auxiliary Terminal Board	2	-	-	-
26	45-0073	Heater Kit 110-125v	1	-	-	-
26	45-0074	Heater 220-260v	1	-	-	-
26	A040G620	Heater Kit 220-260v To Include Term Box For Retro	1	-	-	-
26	A040G624	Heater Kit 110-125v To Include Term Box For Retro	1	-	-	-
26	A053M968	Heater 110-125v UL Cert	1	-	-	-
26	A053N002	Heater 220-260v UL Cert	1	-	-	-
26	A053X252	Heater Kit 110-125v To Include Term Box For Retro UL Cert	1	-	-	-
26	A053X255	Heater Kit 220-260v To Include Term Box For Retro UL Cert	1	-	-	-
27	45-0024	Terminal Box For Heaters	1	-	-	-
28	462-11170	DE Bracket To (29/09/2000)	1	-	-	-
28	520-10557	DE Bracket From (29/09/2000)	1	-	-	-
29	462-10260	DE Bracket Screen	2	-	-	-
30	45-0656	DE Louvre Kit	2	-	-	-
31	462-10130	DE Bearing Cartridge To (30/09/2000)	1	-	-	-
31	520-10776	DE Bearing Cartridge From				

Item	Part No.	Description	Qty.	Recommended Service Part	RSL Class	RSL Type
		(30/09/2000)				
31	520-10816	DE Bearing Cartridge (Regrease)	1	-	-	-
32	45-1100	DE Bearing Kit (Regrease)	1	Yes	B	M
32	45-0292	DE Bearing Kit (Sealed) To (30/09/2000)	1	-	-	-
32	45-0321	DE Bearing Kit (Sealed) From (30/09/2000)	1	-	-	-
33	520-10333	DE Bearing Cap Outer To (30/09/2000)	1	-	-	-
33	520-10778	DE Bearing Cap Outer From (30/09/2000)	1	-	-	-
33	520-10818	DE Bearing Cap (Regrease)	1	-	-	-
34	45-0678	2 Bearing Adaptor Kit SAE 00	1	-	-	-
34	45-0679	2 Bearing Adaptor Kit SAE 0	1	-	-	-
34	45-0680	2 Bearing Adaptor Kit SAE 0.5	1	-	-	-
34	45-0681	2 Bearing Adaptor Kit SAE 1	1	-	-	-
34	45-0808	2 Bearing Adaptor Kit SAE 1 Din	1	-	-	-
34	45-0932	2 Bearing Adaptor Kit SAE 0 Din	1	-	-	-
35	INCLUDED IN 34	DE Cover Screen (Included In Kits)	1	-	-	-
Not Shown	45-0281	Kluber Grease 400g	1	Yes	B	M

FIGURE 21. HC534 (C-F) TWO BEARING (SER 3-4) ALTERNATOR PARTS DRAWING

23 S5 (C-F) One Bearing (Dedicated) Alternator

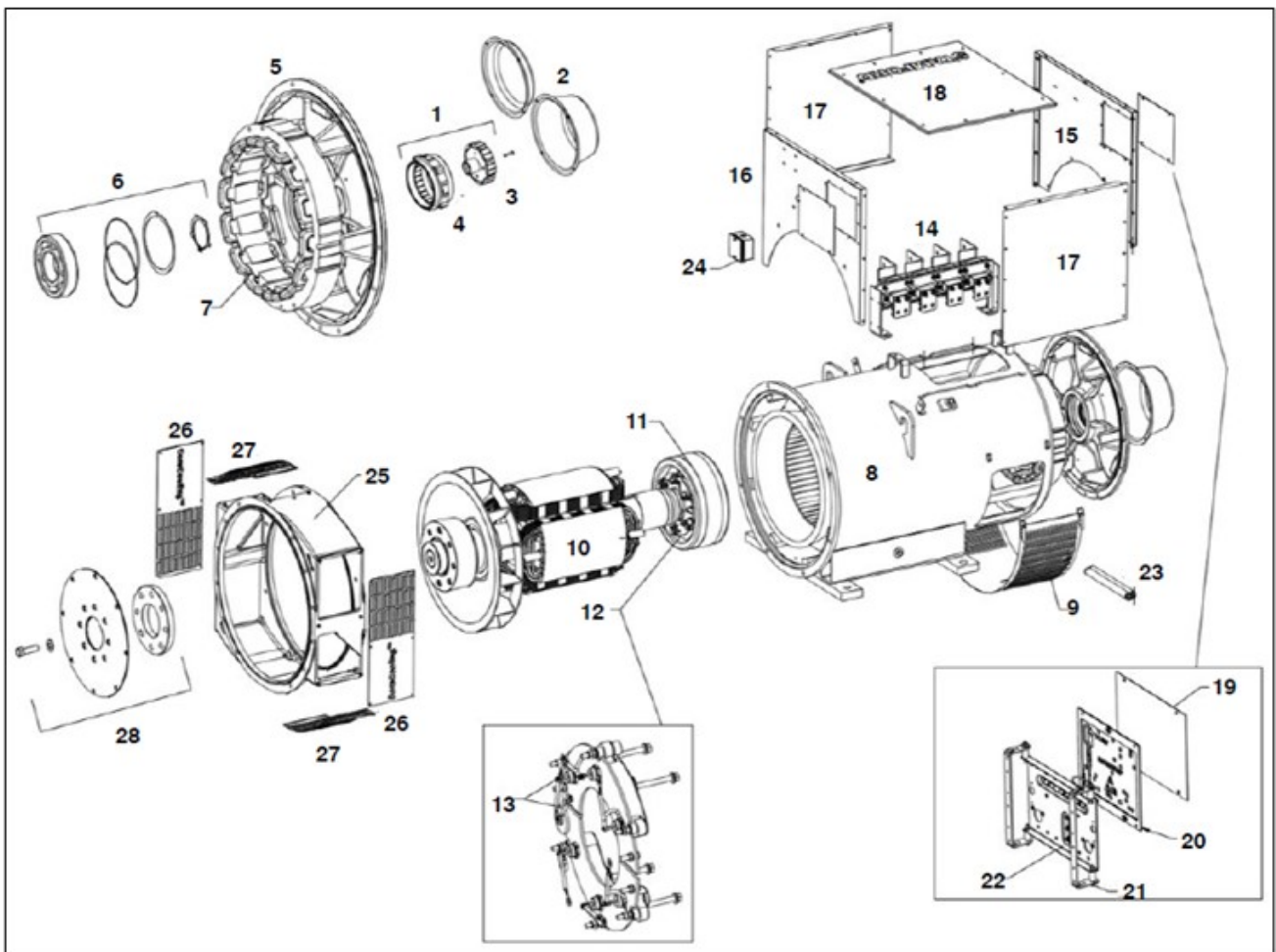


FIGURE 22. S5 (C-F) ONE BEARING (DEDICATED) ALTERNATOR PARTS DRAWING

TABLE 23. S5 (C-F) ONE BEARING (DEDICATED) ALTERNATOR PARTS LIST

Item	Part No.	Description	Qty.	Recommended Service Part	RSL Class	RSL Type
1	45-0328A	Complete PMG Upfit Kit	1	Yes	B	SC
2	410-10704	PMG Cover Only Included In Item 1	1	-	-	-
2	410-10705	Non PMG Cover (From 18/08/00)	1	-	-	-
3	45-1082	PMG Rotor/Stator Repair Kit	1	Yes	B	SC
4	45-1082	PMG Rotor/Stator Repair Kit	1	Yes	B	SC
5	520-10780	NDE Bracket From (30/09/00)	1	-	-	-
6	45-0320	NDE Bearing Kit (Sealed) From (30/09/00)	1	Yes	B	M
7	520-10286	Exciter Stator 65mm	1	Yes	A	SC

Item	Part No.	Description	Qty.	Recommended Service Part	RSL Class	RSL Type
7	A052D940	Exciter Stator 65mm Severe Environmental	1	-	-	-
8	QMSN	Main Stator Frame Assembly	1	-	-	-
9	520-10933	NDE Air Inlet Cover (Industrial)	1	-	-	-
10	QMSN	Main Rotor Assembly	1	-	-	-
11	520-1142	Exciter Rotor 65mm To Fit Internal Bore Diameter 110mm	1	Yes	A	SC
12	450-16016	Rotating Rectifier Assembly	1	Yes	B	SC
13	RSK-5001	Diode Forward/Reverse And Varistor Kit	1	Yes	A	SC
14	QMSN	Main Terminal Board	1	-	-	-
15	520-10907	Terminal Box End Panel NDE From (20/09/1998)	1	-	-	-
15	520-10911	Terminal Box End Panel NDE (Reverse Entry)	1	-	-	-
15	520-10914	Terminal Box End Panel NDE (Reconnectable)	1	-	-	-
15	520-10917	Terminal Box End Panel NDE (High Box)	1	-	-	-
15	520-10918	Terminal Box End Panel NDE (Pg Gland)	1	-	-	-
15	520-10920	Terminal Box End Panel NDE (Railway App)	1	-	-	-
15	520-10982	Terminal Box End Panel NDE (To Fit AVR DM110)	1	-	-	-
15	520-11026	Terminal Box End Panel NDE (Eu Machine Dir.)	1	-	-	-
15	520-11028	Terminal Box End Panel NDE (Reverse Entry) (Eu Machine Dir.)	1	-	-	-
15	520-11030	Terminal Box End Panel NDE (High Box) (Eu Machine Dir.)	1	-	-	-
15	520-11032	Terminal Box End Panel NDE (Pg Gland) (Eu Machine Dir.)	1	-	-	-
15	520-11033	Terminal Box End Panel NDE (Railway App) (Eu Machine Dir.)	1	-	-	-
16	520-10906	Terminal Box End Panel DE From (08/1998)	1	-	-	-
16	520-10910	Terminal Box End Panel DE (Reverse Entry)	1	-	-	-
16	520-10913	Terminal Box End Panel DE (Reconnectable)	1	-	-	-
16	520-10916	Terminal Box End Panel DE (High Box)	1	-	-	-

Item	Part No.	Description	Qty.	Recommended Service Part	RSL Class	RSL Type
16	520-11025	Terminal Box End Panel DE From (Eu Machine Dir.)	1	-	-	-
16	520-11027	Terminal Box End Panel DE (Reverse Entry) (Eu Machine Dir.)	1	-	-	-
16	520-11029	Terminal Box End Panel DE (High Box) (Eu Machine Dir.)	1	-	-	-
17	520-10908	Terminal Box Side Panel From (08/1998)	2	-	-	-
17	520-10909	Terminal Box Side Panel (Air Filters) From (08/1998)	2	-	-	-
17	520-10912	Terminal Box Side Panel (Pf Control Diff)	1	-	-	-
17	520-10921	Terminal Box Side Panel (Railway App)	2	-	-	-
17	520-11015	Terminal Box Side Panel (Reconnectable/Air Filters) (Eu Machine Dir.)	2	-	-	-
17	520-11031	Terminal Box Side Panel (Railway App) (Eu Machine Dir.)	2	-	-	-
18	520-10536	Terminal Box Lid From (08/1998)	1	-	-	-
19	450-16414	AVR Cover (Where AVR Fitted)	1	-	-	-
19	450-16417	AVR Cover (Eu Machine Dir. No Mounting Bracket) X 1	1	-	-	-
20	450-16413	AVR Cover (Eu Machine Dir.) (Where AVR Fitted)	1	-	-	-
21	45-0742	AVR Mounting Bracket	1	-	-	-
22	A060B914	AVR DECS150	1	Yes	A	SC
22	A062Y338	AVR MX322	1	Yes	A	SC
22	E000-23212/1P	AVR MX321	1	Yes	A	SC
22	E000-23215/1P	AVR MX321 UL	1	Yes	A	SC
22	E000-23408/1P	AVR MX341 UL	1	Yes	A	SC
22	E000-23412/1P	AVR MX341	1	Yes	A	SC
22	E000-24403/1P	AVR AS440	1	Yes	A	SC
22	E000-24408/1P	AVR AS440 UL Approved	1	Yes	A	SC
23	45-0073	Heater Kit 110-125v	1	-	-	-
23	45-0074	Heater 220-260v	1	-	-	-
23	A040G620	Heater Kit 220-260v To Include Term Box For Retro	1	-	-	-
23	A040G624	Heater Kit 110-125v To Include Term Box For Retro	1	-	-	-
23	A053M968	Heater 110-125v UL Cert	1	-	-	-

Item	Part No.	Description	Qty.	Recommended Service Part	RSL Class	RSL Type
23	A053N002	Heater 220-260v UL Cert	1	-	-	-
23	A053X252	Heater Kit 110-125v To Include Term Box For Retro UL Cert	1	-	-	-
23	A053X255	Heater Kit 220-260v To Include Term Box For Retro UL Cert	1	-	-	-
24	45-0024	Terminal Box For Heaters	1	-	-	-
25	A062E101	Adaptor SAE0 Kit (S5 Dedicated C-F)	1	-	-	-
25	A062E113	Adaptor SAE0.5 Kit (S5 Dedicated C-F)	1	-	-	-
25	A062E117	Adaptor SAE1 Kit (S5 Dedicated C-F)	1	-	-	-
25	A062E120	Adaptor SAE1 Kit (S5 Dedicated F)	1	-	-	-
26	A060M586	DE Side Screen (Included In Adaptor Kits)	2	-	-	-
27	A056F129	DE Top And Bottom Screen (Included In Adaptor Kits)	2	-	-	-
28	45-0780	Coupling Kit SAE 14	1	-	-	-
28	45-0781	Coupling Kit SAE 18	1	-	-	-
28	45-0782	Coupling Kit SAE 21	1	-	-	-
28	45-0783	Coupling Kit SAE 17.75	1	-	-	-
Not Shown	45-0281	Kluber Grease 400g	1	Yes	B	M

24 S5 (G-H) One Bearing (Dedicated) Alternator

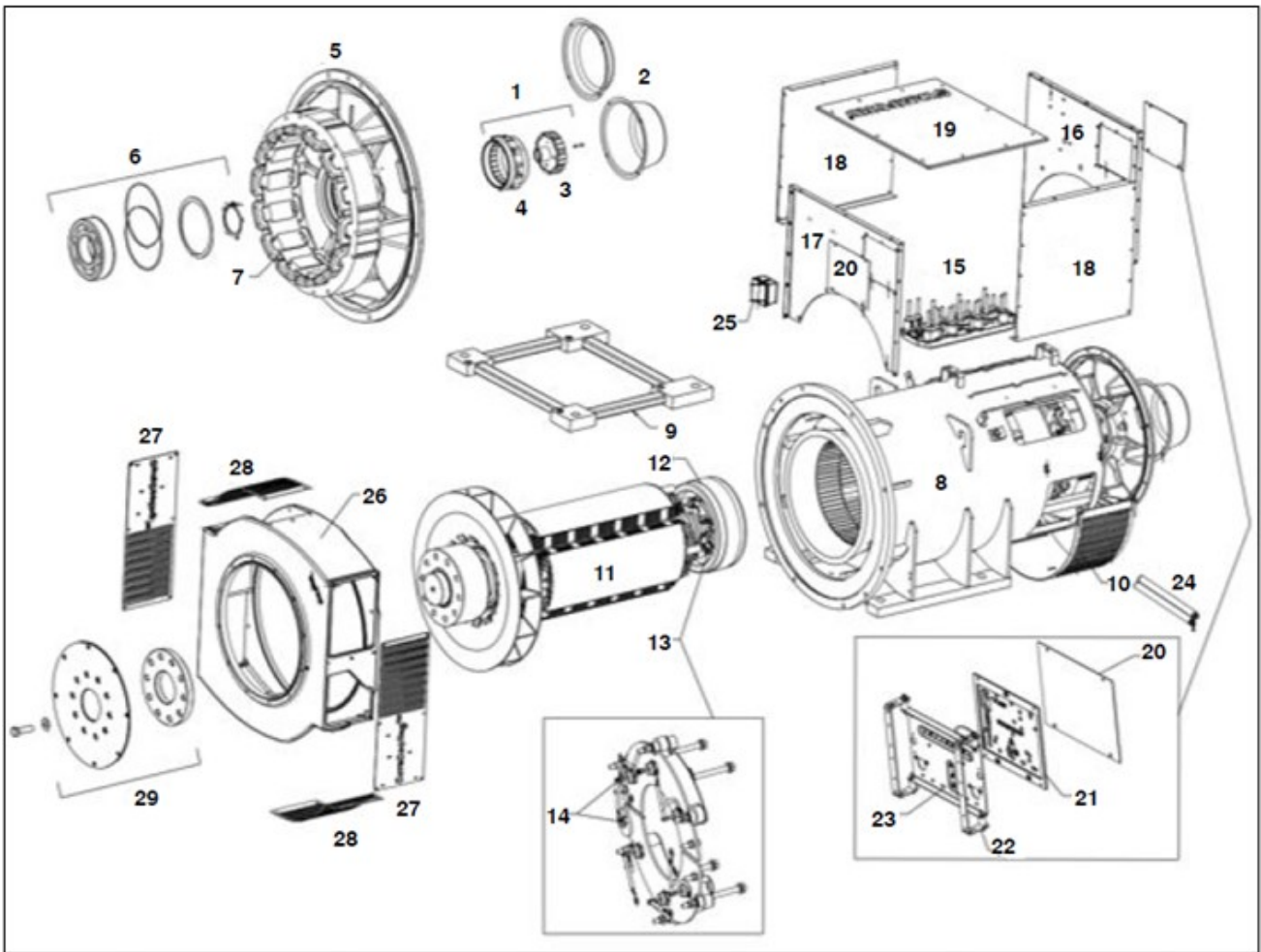


FIGURE 23. S5 (G-H) ONE BEARING (DEDICATED) ALTERNATOR PARTS DRAWING

TABLE 24. S5 (G-H) ONE BEARING (DEDICATED) ALTERNATOR PARTS LIST

Item	Part No.	Description	Qty.	Recommended Service Part	RSL Class	RSL Type
1	45-0328A	Complete PMG Upfit Kit	1	Yes	B	SC
2	410-10704	PMG Cover Only Included In Item 1	1	-	-	-
2	410-10705	Non PMG Cover (From 18/08/00)	1	-	-	-
3	45-1082	PMG Rotor/Stator Repair Kit	1	Yes	B	SC
4	45-1082	PMG Rotor/Stator Repair Kit	1	Yes	B	SC
5	520-10780	NDE Bracket From (30/09/00)	1	-	-	-
6	45-0320	NDE Bearing Kit (Sealed) From (30/09/00)	1	Yes	B	M
7	520-10286	Exciter Stator 65mm	1	Yes	A	SC

Item	Part No.	Description	Qty.	Recommended Service Part	RSL Class	RSL Type
7	A052D940	Exciter Stator 65mm Severe Environmental	1	-	-	-
8	QMSN	Main Stator Frame Assembly	1	-	-	-
9	A058G732	Foot Spacer	1	-	-	-
10	520-10933	NDE Air Inlet Cover (Industrial)	1	-	-	-
11	QMSN	Main Rotor Assembly	1	-	-	-
12	520-1142	Exciter Rotor 65mm To Fit Internal Bore Diameter 110mm	1	Yes	A	SC
13	450-16016	Rotating Rectifier Assembly	1	Yes	B	SC
14	RSK-5001	Diode Forward/Reverse And Varistor Kit	1	Yes	A	SC
15	QMSN	Main Terminal Board	1	-	-	-
16	520-10907	Terminal Box End Panel NDE From (20/09/1998)	1	-	-	-
16	520-10911	Terminal Box End Panel NDE (Reverse Entry)	1	-	-	-
16	520-10914	Terminal Box End Panel NDE (Reconnectable)	1	-	-	-
16	520-10917	Terminal Box End Panel NDE (High Box)	1	-	-	-
16	520-10918	Terminal Box End Panel NDE (Pg Gland)	1	-	-	-
16	520-10920	Terminal Box End Panel NDE (Railway App)	1	-	-	-
16	520-10982	Terminal Box End Panel NDE (To Fit AVR DM110)	1	-	-	-
16	520-11026	Terminal Box End Panel NDE (Eu Machine Dir.)	1	-	-	-
16	520-11028	Terminal Box End Panel NDE (Reverse Entry) (Eu Machine Dir.)	1	-	-	-
16	520-11030	Terminal Box End Panel NDE (High Box) (Eu Machine Dir.)	1	-	-	-
16	520-11032	Terminal Box End Panel NDE (Pg Gland) (Eu Machine Dir.)	1	-	-	-
16	520-11033	Terminal Box End Panel NDE (Railway App) (Eu Machine Dir.)	1	-	-	-
17	520-10906	Terminal Box End Panel DE From (08/1998)	1	-	-	-
17	520-10910	Terminal Box End Panel DE (Reverse Entry)	1	-	-	-
17	520-10913	Terminal Box End Panel DE (Reconnectable)	1	-	-	-

Item	Part No.	Description	Qty.	Recommended Service Part	RSL Class	RSL Type
17	520-10916	Terminal Box End Panel DE (High Box)	1	-	-	-
17	520-11025	Terminal Box End Panel DE From (Eu Machine Dir.)	1	-	-	-
17	520-11027	Terminal Box End Panel DE (Reverse Entry) (Eu Machine Dir.)	1	-	-	-
17	520-11029	Terminal Box End Panel DE (High Box) (Eu Machine Dir.)	1	-	-	-
18	A059B265	Terminal Box Side Panel For S5 G/H	2	-	-	-
19	520-10536	Terminal Box Lid From (08/1998)	1	-	-	-
20	450-16414	AVR Cover (Where AVR Fitted)	1	-	-	-
20	450-16417	AVR Cover (Eu Machine Dir. No Mounting Bracket) X 1	1	-	-	-
21	450-16413	AVR Cover (Eu Machine Dir.) (Where AVR Fitted)	1	-	-	-
22	45-0742	AVR Mounting Bracket	1	-	-	-
23	A060B914	AVR DECS150	1	Yes	A	SC
23	A062Y338	AVR MX322	1	Yes	A	SC
23	E000-23212/1P	AVR MX321	1	Yes	A	SC
23	E000-23215/1P	AVR MX321 UL	1	Yes	A	SC
23	E000-23408/1P	AVR MX341 UL	1	Yes	A	SC
23	E000-23412/1P	AVR MX341	1	Yes	A	SC
23	E000-24403/1P	AVR AS440	1	Yes	A	SC
23	E000-24408/1P	AVR AS440 UL Approved	1	Yes	A	SC
24	45-0073	Heater Kit 110-125v	1	-	-	-
24	45-0074	Heater 220-260v	1	-	-	-
24	A040G620	Heater Kit 220-260v To Include Term Box For Retro	1	-	-	-
24	A040G624	Heater Kit 110-125v To Include Term Box For Retro	1	-	-	-
24	A053M968	Heater 110-125v UL Cert	1	-	-	-
24	A053N002	Heater 220-260v UL Cert	1	-	-	-
24	A053X252	Heater Kit 110-125v To Include Term Box For Retro UL Cert	1	-	-	-
24	A053X255	Heater Kit 220-260v To Include Term Box For Retro UL Cert	1	-	-	-
25	45-0024	Terminal Box For Heaters	1	-	-	-
26	A062E122	Adaptor SAE 0 Kit (S5 Dedicated G-H)	1	-	-	-

Item	Part No.	Description	Qty.	Recommended Service Part	RSL Class	RSL Type
26	A062E124	Adaptor SAE 0.5 Kit (S5 Dedicated G-H)	1	-	-	-
26	A062E130	Adaptor SAE 1 Kit (S5 Dedicated G-H)	1	-	-	-
27	A061U440	DE Side Screen (Included In Adaptor Kits)	2	-	-	-
28	A056G699	DE Top And Bottom Screen (Included In Adaptor Kits)	2	-	-	-
29	A057L700	Coupling Disk SAE 14 Kit	1	-	-	-
29	A057L703	Coupling Disk SAE 18 Kit	1	-	-	-

25 S5 (C-F) One Bearing Alternator

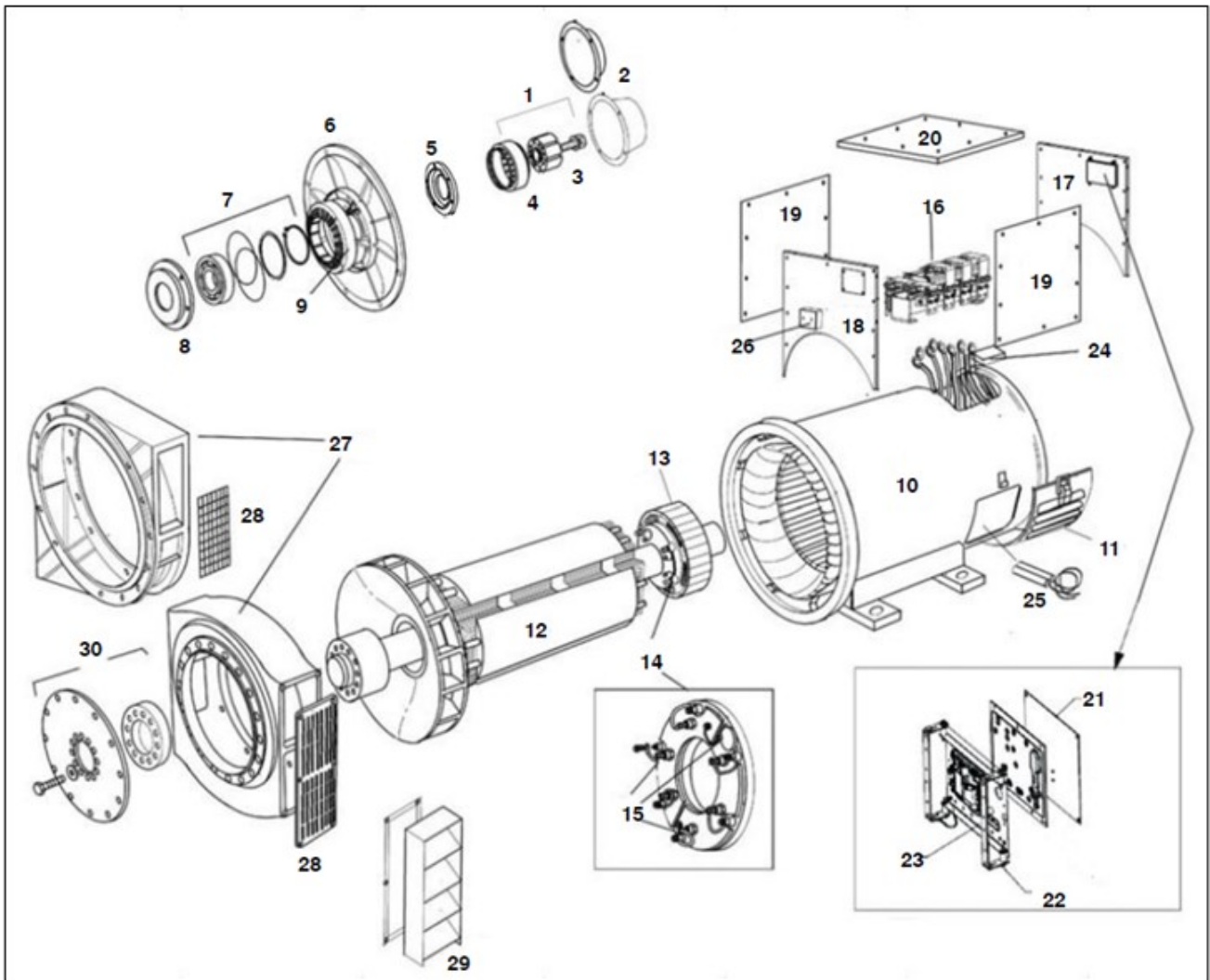


FIGURE 24. S5 (C-F) ONE BEARING ALTERNATOR PARTS DRAWING

TABLE 25. S5 (C-F) ONE BEARING ALTERNATOR PARTS LIST

Item	Part No.	Description	Qty.	Recommended Service Part	RSL Class	RSL Type
1	45-0328A	Complete PMG Upfit Kit	1	Yes	B	SC
2	410-10704	PMG Cover Only Included In Item 1	1	-	-	-
2	410-10705	Non PMG Cover (From 18/08/00)	1	-	-	-
3	45-1082	PMG Rotor/Stator Repair Kit	1	Yes	B	SC
4	45-1082	PMG Rotor/Stator Repair Kit	1	Yes	B	SC
5	520-10812	NDE Bearing Cap (Regreasable Bearing)	1	-	-	-
6	520-10810	NDE Bracket (Regreasable Bearing)	1	-	-	-

Item	Part No.	Description	Qty.	Recommended Service Part	RSL Class	RSL Type
7	45-0320	NDE Bearing Kit (Sealed) From (30/09/00)	1	Yes	B	M
7	45-1099	NDE Bearing Kit (Regreasable)	1	Yes	B	SC
8	520-10811	NDE Bearing Cartridge From (20/09/2000)	1	-	-	-
9	520-10286	Exciter Stator 65mm	1	Yes	A	SC
9	A052D940	Exciter Stator 65mm Severe Environmental	1	-	-	-
10	QMSN	Main Stator Frame Assembly	1	-	-	-
11	462-20100	NDE Air Inlet Cover (Louvred)	1	-	-	-
11	520-10933	NDE Air Inlet Cover (Industrial)	1	-	-	-
12	QMSN	Main Rotor Assembly	1	-	-	-
13	520-1142	Exciter Rotor 65mm To Fit Internal Bore Diameter 110mm	1	Yes	A	SC
14	450-16016	Rotating Rectifier Assembly	1	Yes	B	SC
15	RSK-5001	Diode Forward/Reverse And Varistor Kit	1	Yes	A	SC
16	QMSN	Main Terminal Board	1	-	-	-
17	520-10907	Terminal Box End Panel NDE From (20/09/1998)	1	-	-	-
17	520-10911	Terminal Box End Panel NDE (Reverse Entry)	1	-	-	-
17	520-10914	Terminal Box End Panel NDE (Reconnectable)	1	-	-	-
17	520-10917	Terminal Box End Panel NDE (High Box)	1	-	-	-
17	520-10918	Terminal Box End Panel NDE (Pg Gland)	1	-	-	-
17	520-10920	Terminal Box End Panel NDE (Railway App)	1	-	-	-
17	520-10982	Terminal Box End Panel NDE (To Fit AVR DM110)	1	-	-	-
17	520-11026	Terminal Box End Panel NDE (Eu Machine Dir.)	1	-	-	-
17	520-11028	Terminal Box End Panel NDE (Reverse Entry) (Eu Machine Dir.)	1	-	-	-
17	520-11030	Terminal Box End Panel NDE (High Box) (Eu Machine Dir.)	1	-	-	-
17	520-11032	Terminal Box End Panel NDE (Pg Gland) (Eu Machine Dir.)	1	-	-	-
17	520-11033	Terminal Box End Panel NDE (Railway App) (Eu Machine Dir.)	1	-	-	-

Item	Part No.	Description	Qty.	Recommended Service Part	RSL Class	RSL Type
18	520-10906	Terminal Box End Panel DE From (08/1998)	1	-	-	-
18	520-10910	Terminal Box End Panel DE (Reverse Entry)	1	-	-	-
18	520-10913	Terminal Box End Panel DE (Reconnectable)	1	-	-	-
18	520-10916	Terminal Box End Panel DE (High Box)	1	-	-	-
18	520-11025	Terminal Box End Panel DE From (Eu Machine Dir.)	1	-	-	-
18	520-11027	Terminal Box End Panel DE (Reverse Entry) (Eu Machine Dir.)	1	-	-	-
18	520-11029	Terminal Box End Panel DE (High Box) (Eu Machine Dir.)	1	-	-	-
19	520-10908	Terminal Box Side Panel From (08/1998)	2	-	-	-
19	520-10909	Terminal Box Side Panel (Air Filters) From (08/1998)	2	-	-	-
19	520-10912	Terminal Box Side Panel (Pf Control Diff)	1	-	-	-
19	520-10921	Terminal Box Side Panel (Railway App)	2	-	-	-
19	520-11015	Terminal Box Side Panel (Reconnectable/Air Filters) (Eu Machine Dir.)	2	-	-	-
19	520-11031	Terminal Box Side Panel (Railway App) (Eu Machine Dir.)	2	-	-	-
20	520-10536	Terminal Box Lid From (08/1998)	1	-	-	-
21	450-14310	AVR Cover Plate	1	-	-	-
21	450-16413	AVR Cover (Eu Machine Dir.) (Where AVR Fitted)	1	-	-	-
21	450-16417	AVR Cover (Eu Machine Dir. No Mounting Bracket) X 1	1	-	-	-
22	45-0742	AVR Mounting Bracket	1	-	-	-
23	A060B914	AVR DECS150	1	Yes	A	SC
23	A062Y338	AVR MX322	1	Yes	A	SC
23	E000-23212/1P	AVR MX321	1	Yes	A	SC
23	E000-23215/1P	AVR MX321 UL	1	Yes	A	SC
23	E000-23408/1P	AVR MX341 UL	1	Yes	A	SC
23	E000-23412/1P	AVR MX341	1	Yes	A	SC
23	E000-23800	AVR DM110	1	Yes	A	SC
23	E000-24403/1P	AVR AS440	1	Yes	A	SC

Item	Part No.	Description	Qty.	Recommended Service Part	RSL Class	RSL Type
23	E000-24408/1P	AVR AS440 UL Approved	1	Yes	A	SC
24	450-15489	Auxiliary Terminal Board	2	-	-	-
25	45-0073	Heater Kit 110-125v	1	-	-	-
25	45-0074	Heater 220-260v	1	-	-	-
25	A040G620	Heater Kit 220-260v To Include Term Box For Retro	1	-	-	-
25	A040G624	Heater Kit 110-125v To Include Term Box For Retro	1	-	-	-
25	A053M968	Heater 110-125v UL Cert	1	-	-	-
25	A053N002	Heater 220-260v UL Cert	1	-	-	-
25	A053X252	Heater Kit 110-125v To Include Term Box For Retro UL Cert	1	-	-	-
25	A053X255	Heater Kit 220-260v To Include Term Box For Retro UL Cert	1	-	-	-
26	45-0024	Terminal Box For Heaters	1	-	-	-
27	45-0666	DE Adaptor Kit SAE 00	1	-	-	-
27	45-0667	DE Adaptor Kit SAE 0	1	-	-	-
27	45-0668	DE Adaptor Kit SAE 0.5	1	-	-	-
27	45-0669	DE Adaptor Kit SAE 1	1	-	-	-
27	45-0802	DE Adaptor Kit (SAE 1 Round)	1	-	-	-
27	45-0917	DE Adaptor Kit (SAE 1 Round/Heavy Duty)	1	-	-	-
27	A051Y674	DE Adaptor Kit (SAE 0 Round/Heavy Duty)	1	-	-	-
28	SEE NO. 27	DE Screen (Included In Adaptor Kits)	2	-	-	-
29	45-0654	DE Louvre SAE 00	1	-	-	-
29	45-0655	DE Louvre SAE 0 And 0.5 And 1	1	-	-	-
30	45-0780	Coupling Kit SAE 14	1	-	-	-
30	45-0781	Coupling Kit SAE 18	1	-	-	-
30	45-0782	Coupling Kit SAE 21	1	-	-	-
30	45-0783	Coupling Kit SAE 17.75	1	-	-	-
Not Shown	45-0281	Kluber Grease 400g	1	Yes	B	M
Not Shown	E000-22070/P	1:1 Isolation Transformer & Bracket Assembly	1	Yes	A	SC

26 S5 (C-F) Two Bearing Alternator

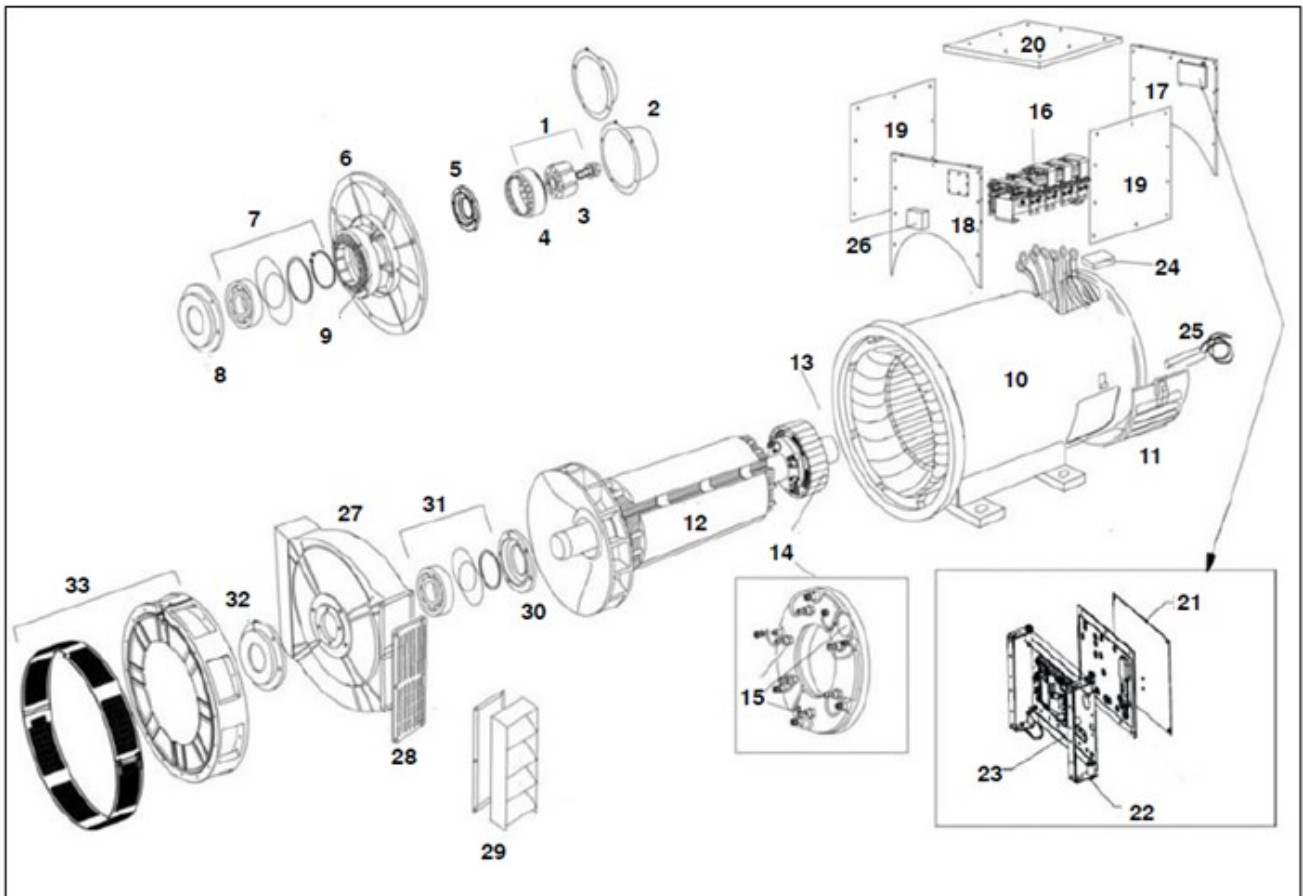


FIGURE 25. S5 (C-F) TWO BEARING ALTERNATOR PARTS DRAWING

TABLE 26. S5 (C-F) TWO BEARING ALTERNATOR PARTS LIST

Item	Part No.	Description	Qty.	Recommended Service Part	RSL Class	RSL Type
1	45-0328A	NDE Bearing Kit (Sealed) From (30/09/00)	1	Yes	B	SC
2	410-10704	PMG Cover Only Included In Item 1	1	-	-	-
2	410-10705	Non PMG Cover (From 18/08/00)	1	-	-	-
3	45-1082	PMG Rotor/Stator Repair Kit	1	Yes	B	SC
4	45-1082	PMG Rotor/Stator Repair Kit	1	Yes	B	SC
5	520-10812	NDE Bearing Cap (Regreasable Bearing)	1	-	-	-
6	520-10780	NDE Bracket From (30/09/00)	1	-	-	-
6	520-10810	NDE Bracket (Regreasable Bearing)	1	-	-	-
7	45-0320	NDE Bearing Kit (Sealed) From (30/09/00)	1	Yes	B	M
7	45-1099	NDE Bearing Kit (Regreasable)	1	Yes	B	SC

Item	Part No.	Description	Qty.	Recommended Service Part	RSL Class	RSL Type
8	520-10811	NDE Bearing Cartridge From (20/09/2000)	1	-	-	-
9	520-10286	Exciter Stator 65mm	1	Yes	A	SC
9	A052D940	Exciter Stator 65mm Severe Environmental	1	-	-	-
10	QMSN	Main Stator Frame Assembly	1	-	-	-
11	462-20100	NDE Air Inlet Cover (Louvred)	1	-	-	-
11	520-10933	NDE Air Inlet Cover (Industrial)	1	-	-	-
12	QMSN	Main Rotor Assembly	1	-	-	-
13	520-1142	Exciter Rotor 65mm To Fit Internal Bore Diameter 110mm	1	Yes	A	SC
14	450-16016	Rotating Rectifier Assembly	1	Yes	B	SC
15	RSK-5001	Diode Forward/Reverse And Varistor Kit	1	Yes	A	SC
16	QMSN	Main Terminal Board	1	-	-	-
17	520-10907	Terminal Box End Panel NDE From (20/09/1998)	1	-	-	-
17	520-10911	Terminal Box End Panel NDE (Reverse Entry)	1	-	-	-
17	520-10914	Terminal Box End Panel NDE (Reconnectable)	1	-	-	-
17	520-10917	Terminal Box End Panel NDE (High Box)	1	-	-	-
17	520-10918	Terminal Box End Panel NDE (Pg Gland)	1	-	-	-
17	520-10920	Terminal Box End Panel NDE (Railway App)	1	-	-	-
17	520-10982	Terminal Box End Panel NDE (To Fit AVR DM110)	1	-	-	-
17	520-11026	Terminal Box End Panel NDE (Eu Machine Dir.)	1	-	-	-
17	520-11028	Terminal Box End Panel NDE (Reverse Entry) (Eu Machine Dir.)	1	-	-	-
17	520-11030	Terminal Box End Panel NDE (High Box) (Eu Machine Dir.)	1	-	-	-
17	520-11032	Terminal Box End Panel NDE (Pg Gland) (Eu Machine Dir.)	1	-	-	-
17	520-11033	Terminal Box End Panel NDE (Railway App) (Eu Machine Dir.)	1	-	-	-
18	520-10906	Terminal Box End Panel DE From (08/1998)	1	-	-	-
18	520-10910	Terminal Box End Panel DE (Reverse Entry)	1	-	-	-

Item	Part No.	Description	Qty.	Recommended Service Part	RSL Class	RSL Type
18	520-10913	Terminal Box End Panel DE (Reconnectable)	1	-	-	-
18	520-10916	Terminal Box End Panel DE (High Box)	1	-	-	-
18	520-11025	Terminal Box End Panel DE From (Eu Machine Dir.)	1	-	-	-
18	520-11027	Terminal Box End Panel DE (Reverse Entry) (Eu Machine Dir.)	1	-	-	-
18	520-11029	Terminal Box End Panel DE (High Box) (Eu Machine Dir.)	1	-	-	-
19	520-10908	Terminal Box Side Panel From (08/1998)	2	-	-	-
19	520-10909	Terminal Box Side Panel (Air Filters) From (08/1998)	2	-	-	-
19	520-10912	Terminal Box Side Panel (Pf Control Diff)	1	-	-	-
19	520-10921	Terminal Box Side Panel (Railway App)	2	-	-	-
19	520-11015	Terminal Box Side Panel (Reconnectable/Air Filters) (Eu Machine Dir.)	2	-	-	-
19	520-11031	Terminal Box Side Panel (Railway App) (Eu Machine Dir.)	2	-	-	-
20	520-10536	Terminal Box Lid From (08/1998)	1	-	-	-
21	450-14310	AVR Cover Plate	1	-	-	-
21	450-16413	AVR Cover (Eu Machine Dir.) (Where AVR Fitted)	1	-	-	-
21	450-16417	AVR Cover (Eu Machine Dir. No Mounting Bracket) X 1	1	-	-	-
22	45-0742	AVR Mounting Bracket	1	-	-	-
23	A060B914	AVR DECS150	1	Yes	A	SC
23	A062Y338	AVR MX322	1	Yes	A	SC
23	E000-23212/1P	AVR MX321	1	Yes	A	SC
23	E000-23215/1P	AVR MX321 UL	1	Yes	A	SC
23	E000-23408/1P	AVR MX341 UL	1	Yes	A	SC
23	E000-23412/1P	AVR MX341	1	Yes	A	SC
23	E000-23800	AVR DM110	1	Yes	A	SC
23	E000-24403/1P	AVR AS440	1	Yes	A	SC
23	E000-24408/1P	AVR AS440 UL Approved	1	Yes	A	SC
24	450-15489	Auxiliary Terminal Board	2	-	-	-
25	45-0073	Heater Kit 110-125v	1	-	-	-

Item	Part No.	Description	Qty.	Recommended Service Part	RSL Class	RSL Type
25	45-0074	Heater 220-260v	1	-	-	-
25	A040G620	Heater Kit 220-260v To Include Term Box For Retro	1	-	-	-
25	A040G624	Heater Kit 110-125v To Include Term Box For Retro	1	-	-	-
25	A053M968	Heater 110-125v UL Cert	1	-	-	-
25	A053N002	Heater 220-260v UL Cert	1	-	-	-
25	A053X252	Heater Kit 110-125v To Include Term Box For Retro UL Cert	1	-	-	-
25	A053X255	Heater Kit 220-260v To Include Term Box For Retro UL Cert	1	-	-	-
26	45-0024	Terminal Box For Heaters	1	-	-	-
27	462-11170	DE Bracket To (29/09/2000)	1	-	-	-
27	520-10557	DE Bracket From (29/09/2000)	1	-	-	-
28	462-10260	DE Bracket Screen	2	-	-	-
29	45-0656	DE Louvre Kit	2	-	-	-
30	520-10776	DE Bearing Cartridge From (30/09/2000)	1	-	-	-
30	520-10816	DE Bearing Cartridge (Regrease)	1	-	-	-
31	45-1100	DE Bearing Kit (Regrease)	1	Yes	B	M
31	45-0321	DE Bearing Kit (Sealed) From (30/09/2000)	1	-	-	-
32	520-10778	DE Bearing Cap Outer From (30/09/2000)	1	-	-	-
32	520-10818	DE Bearing Cap (Regrease)	1	-	-	-
33	45-0678	2 Bearing Adaptor Kit SAE 00	1	-	-	-
33	45-0679	2 Bearing Adaptor Kit SAE 0	1	-	-	-
33	45-0680	2 Bearing Adaptor Kit SAE 0.5	1	-	-	-
33	45-0681	2 Bearing Adaptor Kit SAE 1	1	-	-	-
33	45-0808	2 Bearing Adaptor Kit SAE 1 Din	1	-	-	-
33	45-0932	2 Bearing Adaptor Kit SAE 0 Din	1	-	-	-
34	INCLUDED IN 33	DE Cover Screen (Included In Kits)	1	-	-	-
Not Shown	45-0281	Kluber Grease 400g	1	Yes	B	M
Not Shown	E000-22070/P	1:1 Isolation Transformer & Bracket Assembly	1	Yes	A	SC

27 HC634 (G-K) One Bearing (Ser 3) Alternator

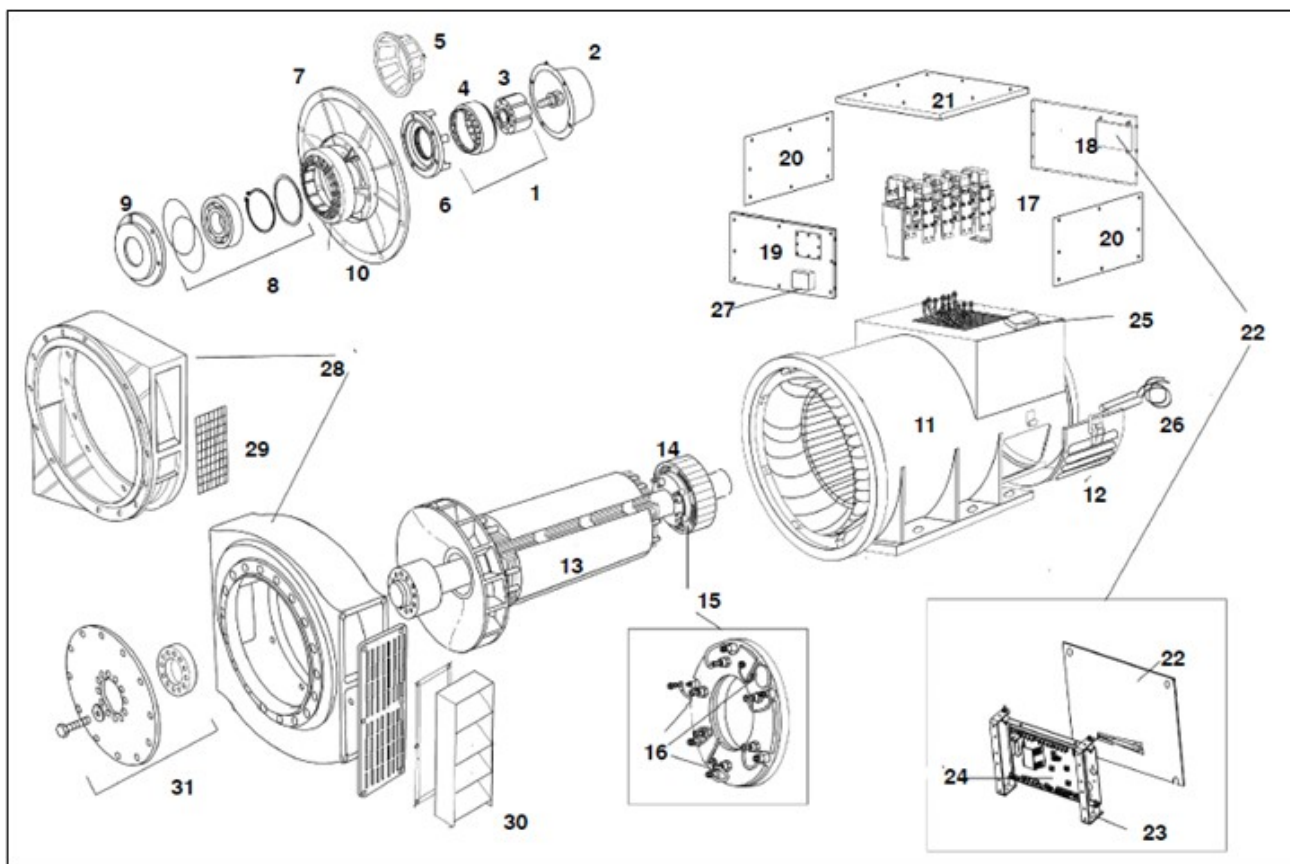


FIGURE 26. HC634 (G-K) ONE BEARING (SER 3) ALTERNATOR PARTS DRAWING

TABLE 27. HC634 (G-K) ONE BEARING (SER 3) ALTERNATOR PARTS LIST

Item	Part No.	Description	Qty.	Recommended Service Part	RSL Class	RSL Type
1	45-0341A	Complete PMG Upfit Kit	1	Yes	B	SC
1	45-0060A	Complete PMG Upfit Kit To (10/05/01) (Obsolete)	1	-	-	-
2	760-10562	PMG Cover (Cover Included In Above Kit)	1	-	-	-
3	45-1082	PMG Rotor/Stator Repair Kit	1	Yes	B	SC
4	45-1082	PMG Rotor/Stator Repair Kit	1	Yes	B	SC
5	SEE NO.1	PMG Crown (If Fitted)	1	-	-	-
6	660-10071	NDE Bearing Cap To (10/05/01)	1	-	-	-
6	660-10864	NDE Bearing Cap From (10/05/01)	1	-	-	-
7	660-10064	NDE Bracket To (10/05/01)	1	-	-	-
7	660-10860	NDE Bracket From (10/05/01)	1	-	-	-

Item	Part No.	Description	Qty.	Recommended Service Part	RSL Class	RSL Type
8	45-0340	NDE Bearing Kit (Sealed)	1	Yes	B	M
8	45-0297	NDE Bearing Kit (Sealed) To (10/05/01)	1	-	-	-
8	45-0343	NDE Bearing Kit (Regrease)	1	-	-	-
9	462-12920	NDE Bearing Cartridge To (10/05/01)	1	-	-	-
9	660-10862	NDE Bearing Cartridge From (10/05/01)	1	-	-	-
10	366-40800	Exciter Stator 75mm	1	-	-	-
10	A052D957	Exciter Stator 75mm Severe Environmental	1	-	-	-
11	QMSN	Main Stator Frame Assembly	1	-	-	-
12	464-31600	NDE Air Inlet Cover (Marine)	1	-	-	-
12	464-32100	NDE Air Inlet Cover (Air Filters)	1	-	-	-
12	660-11565	NDE Air Inlet Cover (Industrial)	1	-	-	-
13	QMSN	Main Rotor Assembly	1	-	-	-
14	660-1010	Exciter Rotor 75mm	1	-	-	-
15	450-16025	Rotating Rectifier Assembly	1	Yes	B	SC
16	RSK-6001	Diode Forward/Reverse And Varistor Kit	1	Yes	A	SC
17	QMSN	Main Terminal Board	1	-	-	-
18	660-10653	Terminal Box End Panel NDE	1	-	-	-
18	660-10655	Terminal Box End Panel NDE (Pg Gland And Diff Protection)	1	-	-	-
18	660-10925	Terminal Box End Panel NDE (Hi-Reconnectable)	1	-	-	-
18	660-11220	Terminal Box End Panel NDE (Hi-Air Filters)	1	-	-	-
18	660-11604	Terminal Box End Panel NDE (Standard Digital AVR)	1	-	-	-
18	660-11682	Terminal Box End Panel NDE (Eu Machine Dir.)	1	-	-	-
18	660-11684	Terminal Box End Panel NDE (Pg Gland And Diff Protection) (Eu Machine Dir.)	1	-	-	-
18	660-11689	Terminal Box End Panel NDE (Hi-Reconnectable) (Eu Machine Dir.)	1	-	-	-
18	660-11691	Terminal Box End Panel NDE (Hi-Air Filters) (Eu Machine Dir.)	1	-	-	-
19	660-10652	Terminal Box End Panel De	1	-	-	-

Item	Part No.	Description	Qty.	Recommended Service Part	RSL Class	RSL Type
19	660-10654	Terminal Box End Panel De(Diff/Protection)	1	-	-	-
19	660-10783	Terminal Box End Panel DE (Pg Gland Diff Protection)	1	-	-	-
19	660-10784	Terminal Box End Panel DE (Pg Gland Or Standard Digital AVR)	1	-	-	-
19	660-10924	Terminal Box End Panel DE (Hi-Reconnectable)	1	-	-	-
19	660-11219	Terminal Box End Panel DE (Hi-Air Filters)	1	-	-	-
19	660-11681	Terminal Box End Panel DE (Eu Machine Dir.)	1	-	-	-
19	660-11683	Terminal Box End Panel De(Diff/Protection) (Eu Machine Dir.)	1	-	-	-
19	660-11686	Terminal Box End Panel DE (Pg Gland Diff Protection) (Eu Machine Dir.)	1	-	-	-
19	660-11687	Terminal Box End Panel DE (Pg Gland Or Standard Digital AVR) (Eu Machine Dir.)	1	-	-	-
19	660-11688	Terminal Box End Panel DE (Hi-Reconnectable) (Eu Machine Dir.)	1	-	-	-
19	660-11690	Terminal Box End Panel DE (Hi-Air Filters) (Eu Machine Dir.)	1	-	-	-
20	660-10650	Terminal Box Side Panel	2	-	-	-
20	660-10923	Terminal Box Side Panel (Hi-Reconnectable And A/F)	2	-	-	-
20	660-11242	Terminal Box Side Panel (Air Filter)	2	-	-	-
21	660-10651	Terminal Box Lid	1	-	-	-
22	450-14310	AVR Cover Plate	1	-	-	-
22	450-15254	AVR Cover Plate (Access)	1	-	-	-
22	450-16413	AVR Plastic Cover (Eu Machine Dir.)	1	-	-	-
22	450-16417	AVR Cover Plate (Access) (Eu Machine Dir.)	1	-	-	-
23	45-0742	AVR Mounting Bracket	1	-	-	-
24	A060B914	AVR DECS150	1	Yes	A	SC
24	A062Y338	AVR MX322	1	Yes	A	SC
24	E000-23212/1P	AVR MX321	1	Yes	A	SC
24	E000-23215/1P	AVR MX321 UL	1	Yes	A	SC
24	E000-23408/1P	AVR MX341 UL	1	Yes	A	SC

Item	Part No.	Description	Qty.	Recommended Service Part	RSL Class	RSL Type
24	E000-23412/1P	AVR MX341	1	Yes	A	SC
24	E000-23800	AVR DM110	1	Yes	A	SC
25	003-14055	Auxiliary Terminal Board	2	-	-	-
26	45-0073	Heater Kit 110-125v	1	-	-	-
26	45-0074	Heater 220-260v	1	-	-	-
26	A040G620	Heater Kit 220-260v To Include Term Box For Retro	1	-	-	-
26	A040G624	Heater Kit 110-125v To Include Term Box For Retro	1	-	-	-
26	A053M968	Heater Kit 110-125v UL Cert	1	-	-	-
26	A053N002	Heater 220-260v UL Cert	1	-	-	-
26	A053X252	Heater Kit 110-125v To Include Term Box For Retro UL Cert	1	-	-	-
26	A053X255	Heater Kit 220-260v To Include Term Box For Retro UL Cert	1	-	-	-
27	45-0024	Terminal Box For Heaters	1	-	-	-
28	45-0937	DE Adaptor Kit SAE 1	1	-	-	-
28	45-0942	DE Adaptor Kit SAE 00	1	-	-	-
28	45-0943	DE Adaptor Kit SAE 0	1	-	-	-
28	45-0944	DE Adaptor Kit SAE 0.5	1	-	-	-
28	45-0945	DE Adaptor Kt SAE 0 Round	1	-	-	-
29	SEE NO. 30	DE Screen (Included In Adaptor Kits)	2	-	-	-
30	45-0657	DE Louvre SAE-00	1	-	-	-
30	45-0658	DE Louvre SAE 0 And 0.5 And 1	1	-	-	-
31	45-0788	Coupling Kit SAE 14	1	-	-	-
31	45-0789	Coupling Kit SAE 18	1	-	-	-
31	45-0790	Coupling Kit SAE 21	1	-	-	-
31	45-0791	Coupling Kit SAE 17.75	1	-	-	-

28 HC634 (G-K) Two Bearing (Ser 3) Alternator

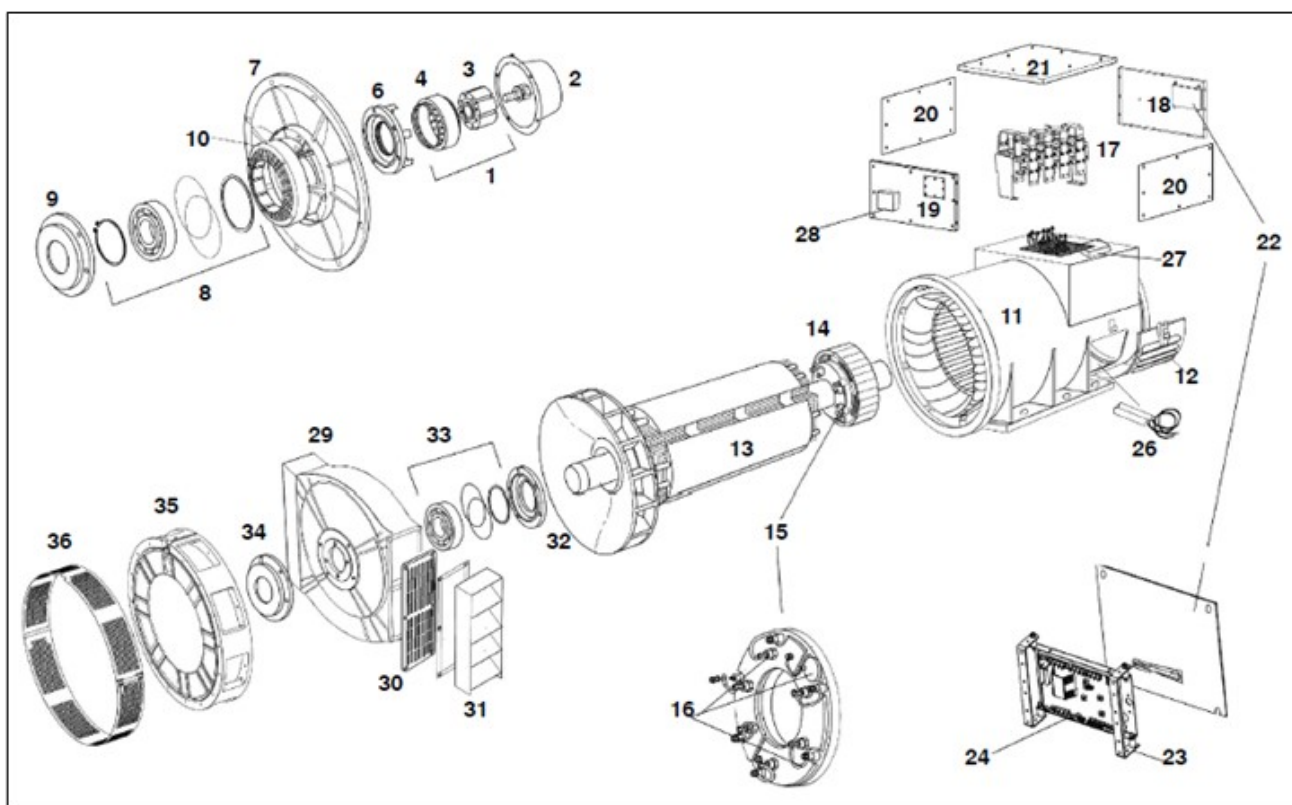


FIGURE 27. HC634 (G-K) TWO BEARING (SER 3) ALTERNATOR PARTS DRAWING

TABLE 28. HC634 (G-K) TWO BEARING (SER 3) ALTERNATOR PARTS

Item	Part No.	Description	Qty.	Recommended Service Part	RSL Class	RSL Type
1	45-0341A	Complete PMG Upfit Kit	1	Yes	B	SC
1	45-0060A	Complete PMG Upfit Kit To (10/05/01) (Obsolete)	1	-	-	-
2	760-10562	PMG Cover (Cover Included In Above Kit)	1	-	-	-
3	45-1082	PMG Rotor/Stator Repair Kit	1	Yes	B	SC
4	45-1082	PMG Rotor/Stator Repair Kit	1	Yes	B	SC
5	SEE NO.1	PMG Crown (If Fitted)	1	-	-	-
6	660-10071	NDE Bearing Cap To (10/05/01)	1	-	-	-
6	660-10864	NDE Bearing Cap From (10/05/01)	1	-	-	-
7	660-10064	NDE Bracket To (10/05/01)	1	-	-	-
7	660-10860	NDE Bracket From (10/05/01)	1	-	-	-
8	45-0340	NDE Bearing Kit (Sealed)	1	Yes	B	M

Item	Part No.	Description	Qty.	Recommended Service Part	RSL Class	RSL Type
8	45-0295	NDE Bearing Kit (Sealed) To (10/05/01)	1	-	-	-
8	45-0343	NDE Bearing Kit (Regrease)	1	-	-	-
9	462-12920	NDE Bearing Cartridge To (10/05/01)	1	-	-	-
9	660-10862	NDE Bearing Cartridge From (10/05/01)	1	-	-	-
10	366-40800	Exciter Stator 75mm	1	-	-	-
10	A052D957	Exciter Stator 75mm Severe Environmental	1	-	-	-
11	QMSN	Main Stator Frame Assembly	1	-	-	-
12	464-31600	NDE Air Inlet Cover (Marine)	1	-	-	-
12	464-32100	NDE Air Inlet Cover (Air Filters)	1	-	-	-
12	660-11565	NDE Air Inlet Cover (Industrial)	1	-	-	-
13	QMSN	Main Rotor Assembly	1	-	-	-
14	660-1010	Exciter Rotor 75mm	1	-	-	-
15	450-16025	Rotating Rectifier Assembly	1	Yes	B	SC
16	RSK-6001	Diode Forward/Reverse And Varistor Kit	1	Yes	A	SC
17	QMSN	Main Terminal Board	1	-	-	-
18	660-10653	Terminal Box End Panel NDE	1	-	-	-
18	660-10655	Terminal Box End Panel NDE (Pg Gland And Diff Protection)	1	-	-	-
18	660-10925	Terminal Box End Panel NDE (Hi-Reconnectable)	1	-	-	-
18	660-11220	Terminal Box End Panel NDE Hi-Air Filters)	1	-	-	-
18	660-11604	Terminal Box End Panel NDE (Standard Digital AVR)	1	-	-	-
18	660-11682	Terminal Box End Panel NDE (Eu Machine Dir.)	1	-	-	-
18	660-11684	Terminal Box End Panel NDE (Pg Gland And Diff Protection) (Eu Machine Dir.)	1	-	-	-
18	660-11689	Terminal Box End Panel NDE (Hi-Reconnectable) (Eu Machine Dir.)	1	-	-	-
18	660-11691	Terminal Box End Panel NDE Hi-Air Filters) (Eu Machine Dir.)	1	-	-	-
19	660-10652	Terminal Box End Panel De	1	-	-	-
19	660-10654	Terminal Box End Panel DE (Diff/Protection)	1	-	-	-

Item	Part No.	Description	Qty.	Recommended Service Part	RSL Class	RSL Type
19	660-10783	Terminal Box End Panel DE (Pg Gland Diff Protection)	1	-	-	-
19	660-10784	Terminal Box End Panel DE (Pg Gland Or Standard Digital AVR)	1	-	-	-
19	660-10924	Terminal Box End Panel DE (Hi-Reconnectable)	1	-	-	-
19	660-11219	Terminal Box End Panel DE (Hi-Air Filters)	1	-	-	-
19	660-11681	Terminal Box End Panel DE (Eu Machine Dir.)	1	-	-	-
19	660-11683	Terminal Box End Panel DE (Diff/Protection) (Eu Machine Dir.)	1	-	-	-
19	660-11686	Terminal Box End Panel DE (Hi-Reconnectable) (Eu Machine Dir.)	1	-	-	-
19	660-11686	Terminal Box End Panel DE (Pg Gland Diff Protection) (Eu Machine Dir.)	1	-	-	-
19	660-11687	Terminal Box End Panel DE (Pg Gland Or Standard Digital AVR) (Eu Machine Dir.)	1	-	-	-
19	660-11690	Terminal Box End Panel DE (Hi-Air Filters) (Eu Machine Dir.)	1	-	-	-
20	660-10650	Terminal Box Side Panel	2	-	-	-
20	660-10923	Terminal Box Side Panel (Hi-Reconnectable And A/F)	2	-	-	-
20	660-11242	Terminal Box Side Panel (Air Filter)	2	-	-	-
21	660-10651	Terminal Box Lid	1	-	-	-
22	450-14310	AVR Cover Plate	1	-	-	-
22	450-15254	AVR Cover Plate (Access)	1	-	-	-
22	450-16413	AVR Plastic Cover (Eu Machine Dir.)	1	-	-	-
22	450-16417	AVR Cover Plate (Access) (Eu Machine Dir.)	1	-	-	-
23	45-0742	AVR Mounting Bracket	1	-	-	-
24	A060B914	AVR DECS150	1	Yes	A	SC
24	A062Y338	AVR MX322	1	Yes	A	SC
24	E000-23212/1P	AVR MX321	1	Yes	A	SC
24	E000-23215/1P	AVR MX321 UL	1	Yes	A	SC
24	E000-23408/1P	AVR MX341 UL	1	Yes	A	SC
24	E000-23412/1P	AVR MX341	1	Yes	A	SC
24	E000-23800	AVR DM110	1	Yes	A	SC

Item	Part No.	Description	Qty.	Recommended Service Part	RSL Class	RSL Type
25	003-14055	Auxiliary Terminal Board	2	-	-	-
26	003-14055	Auxiliary Terminal Board	2	-	-	-
27	45-0073	Heater Kit 110-125v	1	-	-	-
27	45-0074	Heater 220-260v	1	-	-	-
27	A040G620	Heater Kit 220-260v To Include Term Box For Retro	1	-	-	-
27	A040G624	Heater Kit 110-125v To Include Term Box For Retro	1	-	-	-
27	A053M968	Heater Kit 110-125v UL Cert	1	-	-	-
27	A053N002	Heater 220-260v UL Cert	1	-	-	-
27	A053X252	Heater Kit 110-125v To Include Term Box For Retro UL Cert	1	-	-	-
27	A053X255	Heater Kit 220-260v To Include Term Box For Retro UL Cert	1	-	-	-
28	45-0024	Terminal Box For Heaters	1	-	-	-
29	464-15630	DE Bracket To (25/04/98)	1	-	-	-
29	660-10868	DE Bracket From (25/04/98)	1	-	-	-
30	464-15650	DE Bracket Screen	2	-	-	-
31	45-0659	DE Louvre	2	-	-	-
32	464-15090	DE Bearing Cartridge To (25/04/98)	1	-	-	-
32	660-10870	DE Bearing Cartridge From (25/04/98)	1	-	-	-
33	45-0294	DE Bearing Kit (Sealed) To (25/04/98)	1	-	-	-
33	45-0339	DE Bearing Kit (Sealed)	1	-	-	-
33	45-0342	DE Bearing Kt (Regrease)	1	-	-	-
34	660-10074	DE Bearing Cap Outer To (25/04/98)	1	-	-	-
34	660-10872	DE Bearing Cap Outer From (25/04/98)	1	-	-	-
35	45-0682	2 Bearing Adaptor Kit (SAE 00)	1	-	-	-
35	45-0683	2 Bearing Adaptor Kit (SAE 0)	1	-	-	-
36	INCLUDED IN 34	DE Cover Screen (Included In Kits)	1	-	-	-

29 S6 (C-H) One Bearing (Dedicated) Alternator

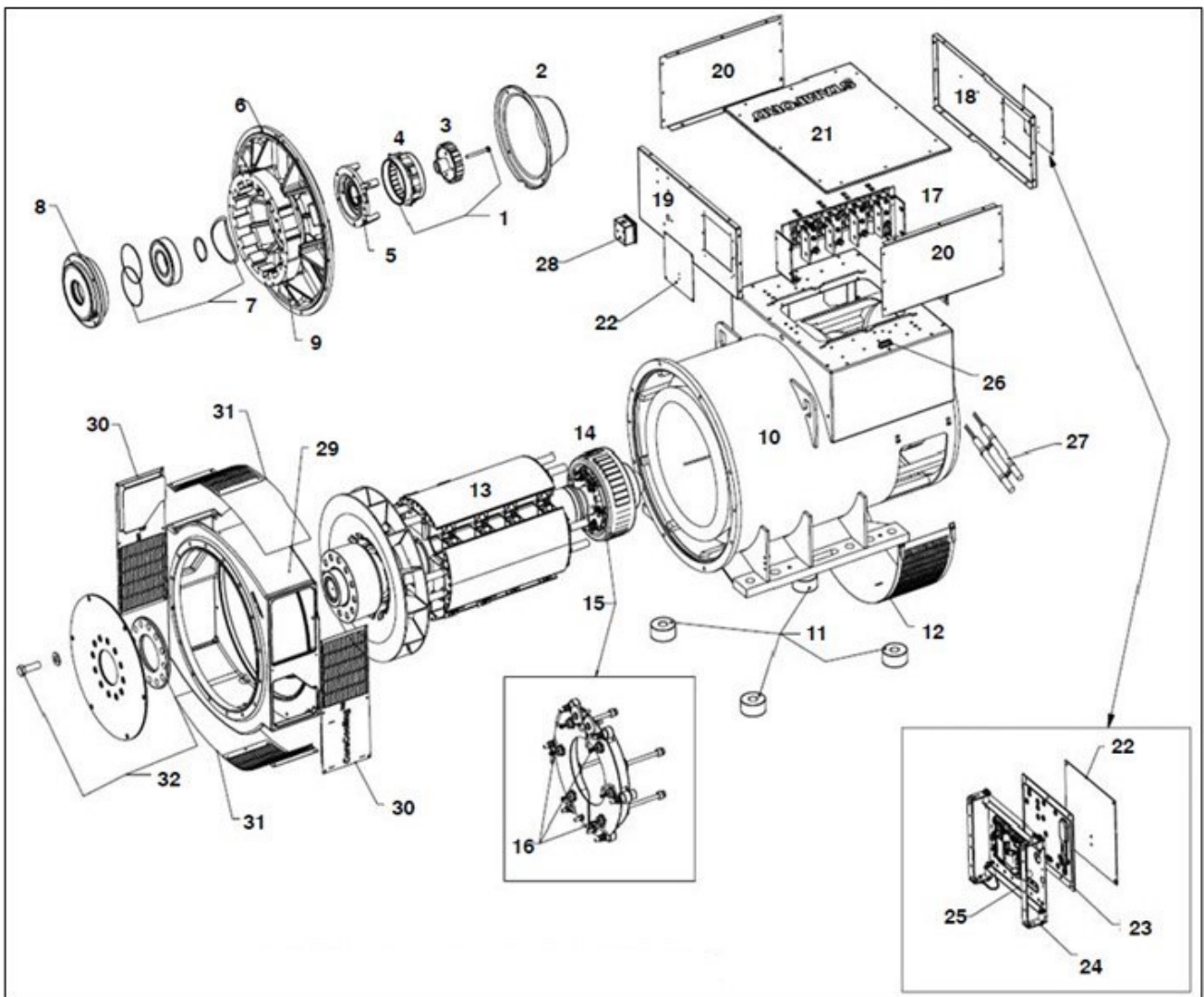


FIGURE 28. S6 (C-H) ONE BEARING (DEDICATED) ALTERNATOR PARTS DRAWING

TABLE 29. S6 (C-H) ONE BEARING (DEDICATED) ALTERNATOR PARTS LIST

Item	Part No.	Description	Qty.	Recommended Service Part	RSL Class	RSL Type
1	45-0341A	Complete PMG Upfit Kit	1	Yes	B	SC
2	760-10562	PMG Cover (Cover Included In Above Kit)	1	-	-	-
3	45-1082	PMG Rotor/Stator Repair Kit	1	Yes	B	SC
4	45-1082	PMG Rotor/Stator Repair Kit	1	Yes	B	SC
5	660-10864	NDE Bearing Cap	1	-	-	-
6	660-10860	NDE Bracket	1	-	-	-
7	45-0340	NDE Bearing Kit (Sealed)	1	Yes	B	M

Item	Part No.	Description	Qty.	Recommended Service Part	RSL Class	RSL Type
8	660-10862	NDE Bearing Cartridge	1	-	-	-
9	A057B916	Exciter Stator 65mm (C-D)	1	Yes	A	SC
9	A057B918	Exciter Stator 75mm (E-H)	1	Yes	A	SC
10	QMSN	Main Stator Frame Assembly	1	-	-	-
11	A057L515	Foot Space	4	-	-	-
12	660-11565	NDE Air Inlet Cover (Industrial)	1	-	-	-
13	QMSN	Main Rotor Assembly	1	-	-	-
14	A057B921	Exciter Rotor 65mm (C-D)	1	Yes	A	SC
14	A057B923	Exciter Rotor 75mm (E-H)	1	Yes	A	SC
15	450-16025	Rotating Rectifier Assembly	1	Yes	B	SC
16	RSK-6001	Diode Forward/Reverse And Varistor Kit	1	Yes	A	SC
17	QMSN	Main Terminal Board	1	-	-	-
18	660-11604	Terminal Box End Panel NDE (Standard Digital AVR)	1	-	-	-
18	660-11682	Terminal Box End Panel NDE (Eu Machine Dir.)	1	-	-	-
18	660-11689	Terminal Box End Panel NDE (Hi-Reconnectable) (Eu Machine Dir.)	1	-	-	-
19	660-11681	Terminal Box End Panel DE (Eu Machine Dir.)	1	-	-	-
19	660-11687	Terminal Box End Panel DE (Pg Gland Or Standard Digital AVR) (Eu Machine Dir.)	1	-	-	-
19	660-11688	Terminal Box End Panel DE (Hi-Reconnectable) (Eu Machine Dir.)	1	-	-	-
20	660-10650	Terminal Box Side Panel	2	-	-	-
20	660-10923	Terminal Box Side Panel (Hi-Reconnectable And AF)	2	-	-	-
21	660-10651	Terminal Box Lid	1	-	-	-
22	450-16414	AVR Cover Plate (Eu Machine Dir.)	1	-	-	-
22	450-16417	AVR Cover Plate (Access) (Eu Machine Dir.)	1	-	-	-
23	450-16413	AVR Plastic Cover (Eu Machine Dir.)	1	-	-	-
24	45-0742	AVR Mounting Bracket	1	-	-	-
25	A054S072	AVR DECS100	1	Yes	A	SC
25	A060B914	AVR DECS150	1	Yes	A	SC
25	A062Y338	AVR MX322	1	Yes	A	SC
25	E000-23212/1P	AVR MX321	1	Yes	A	SC

Item	Part No.	Description	Qty.	Recommended Service Part	RSL Class	RSL Type
25	E000-23215/1P	AVR MX321 UL	1	Yes	A	SC
25	E000-23408/1P	AVR MX341 UL	1	Yes	A	SC
25	E000-23412/1P	AVR MX341	1	Yes	A	SC
26	003-14055	Auxiliary Terminal Board	2	-	-	-
27	45-0073	Heater Kit 110-125v	1	-	-	-
27	45-0074	Heater 220-260v	1	-	-	-
27	A040G620	Heater Kit 220-260v To Include Term Box For Retro	1	-	-	-
27	A040G624	Heater Kit 110-125v To Include Term Box For Retro	1	-	-	-
27	A053M968	Heater Kit 110-125v UL Cert	1	-	-	-
27	A053N002	Heater 220-260v UL Cert	1	-	-	-
27	A053X252	Heater Kit 110-125v To Include Term Box For Retro UL Cert	1	-	-	-
27	A053X255	Heater Kit 220-260v To Include Term Box For Retro UL Cert	1	-	-	-
28	45-0024	Terminal Box For Heaters	1	-	-	-
29	A058A512	S6 1 Bearing Adapter Kit SAE0 660fan (C-F)	1	-	-	-
29	A058A516	S6 1 Bearing Adapter Kit SAE1 660fan (C-F)	1	-	-	-
29	A064Y167	S6 1 Bearing Adapter Kit SAE00 800fan (G-H)	1	-	-	-
29	A064Y191	S6 1 Bearing Adapter Kit SAE0 800fan (G-H)	1	-	-	-
30	A056G571	DE Adapter Side Cover 660 Fan (C-F) (Item Included In Item 29)	2	-	-	-
30	A057E925	DE Adapter Side Cover 800 Fan (G-H) (Item Included In Item 29)	2	-	-	-
31	A056G699	DE Adapter Top And Bottom Cover SAE0,1 660 Fan (C-F) (Item Included In Item 29)	2	-	-	-
31	A057E939	DE Adapter Top And Bottom Cover SAE0 800 Fan (G-H) (Item Included In Item 29)	2	-	-	-
31	A057J578	DE Adapter Top And Bottom Cover SAE00 800 Fan (G-H) (Item Included In Item 29)	2	-	-	-
32	45-0788	Coupling Kit SAE 14	1	-	-	-
32	45-0789	Coupling Kit SAE 18	1	-	-	-
32	45-0790	Coupling Kit SAE 21	1	-	-	-

Item	Part No.	Description	Qty.	Recommended Service Part	RSL Class	RSL Type
Not Shown	45-0281	Kluber Grease 400g	1	Yes	B	M
Not Shown	450-42100	2:1 Isolation transformer	1	Yes	A	SC
Not Shown	E000-22070/P	1:1 Isolation Transformer & Bracket Assembly	1	Yes	A	SC

30 S6 (C-H) Two Bearing (Dedicated) Alternator

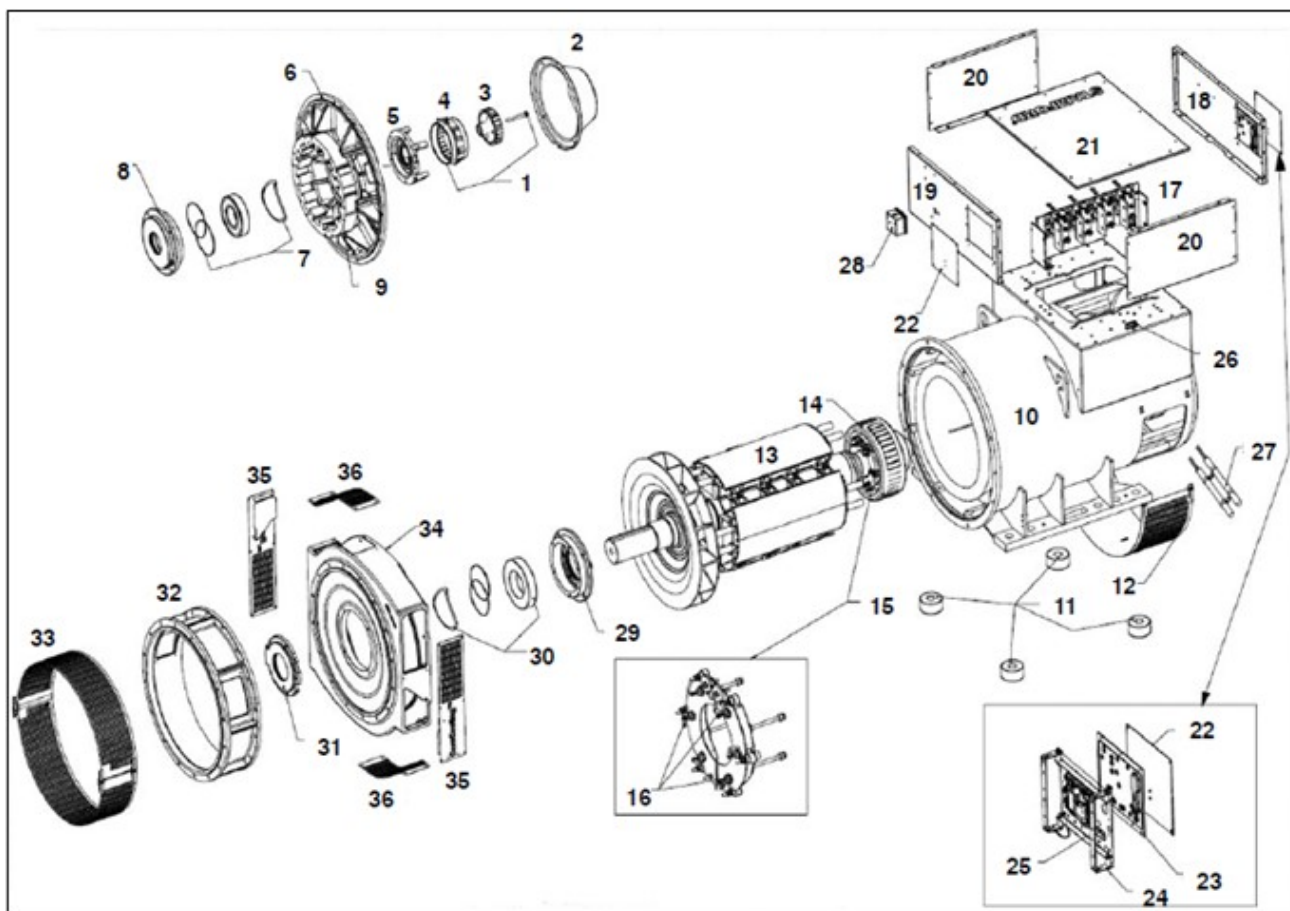


FIGURE 29. S6 (C-H) TWO BEARING (DEDICATED) ALTERNATOR PARTS DRAWING

TABLE 30. S6 (C-H) TWO BEARING (DEDICATED) ALTERNATOR PARTS LIST

Item	Part No.	Description	Qty.	Recommended Service Part	RSL Class	RSL Type
1	45-0341A	Complete PMG Upfit Kit	1	Yes	B	SC
2	760-10562	PMG Cover (Cover Included In Above Kit)	1	-	-	-
3	45-1082	PMG Rotor/Stator Repair Kit	1	Yes	B	SC
4	45-1082	PMG Rotor/Stator Repair Kit	1	Yes	B	SC
5	660-10864	NDE Bearing Cap	1	-	-	-
6	660-10860	NDE Bracket	1	-	-	-
7	45-0340	NDE Bearing Kit (Sealed)	1	Yes	B	M
8	660-10862	NDE Bearing Cartridge	1	-	-	-
9	A057B916	Exciter Stator 65mm (C-D)	1	Yes	A	SC
9	A057B918	Exciter Stator 75mm (E-H)	1	Yes	A	SC

Item	Part No.	Description	Qty.	Recommended Service Part	RSL Class	RSL Type
10	QMSN	Main Stator Frame Assembly	1	-	-	-
11	A057L515	Foot Space	4	-	-	-
12	660-11565	NDE Air Inlet Cover (Industrial)	1	-	-	-
13	QMSN	Main Rotor Assembly	1	-	-	-
14	A057B921	Exciter Rotor 65mm (C-D)	1	Yes	A	SC
14	A057B923	Exciter Rotor 75mm (E-H)	1	Yes	A	SC
15	450-16025	Rotating Rectifier Assembly	1	Yes	B	SC
16	RSK-6001	Diode Forward/Reverse And Varistor Kit	1	Yes	A	SC
17	QMSN	Main Terminal Board	1	-	-	-
18	660-11604	Terminal Box End Panel NDE (Standard Digital AVR)	1	-	-	-
18	660-11682	Terminal Box End Panel NDE (Eu Machine Dir.)	1	-	-	-
18	660-11689	Terminal Box End Panel NDE (Hi-Reconnectable) (Eu Machine Dir.)	1	-	-	-
19	660-11681	Terminal Box End Panel DE (Eu Machine Dir.)	1	-	-	-
19	660-11687	Terminal Box End Panel DE (Pg Gland Or Standard Digital AVR) (Eu Machine Dir.)	1	-	-	-
19	660-11688	Terminal Box End Panel DE (Hi-Reconnectable) (Eu Machine Dir.)	1	-	-	-
20	660-10650	Terminal Box Side Panel	2	-	-	-
20	660-10923	Terminal Box Side Panel (Hi-Reconnectable And AF)	2	-	-	-
21	660-10651	Terminal Box Lid	1	-	-	-
22	450-16414	AVR Cover Plate (Eu Machine Dir.)	1	-	-	-
22	450-16417	AVR Cover Plate (Access) (Eu Machine Dir.)	1	-	-	-
23	450-16413	AVR Plastic Cover (Eu Machine Dir.)	1	-	-	-
24	45-0742	AVR Mounting Bracket	1	-	-	-
25	A054S072	AVR DECS100	1	Yes	A	SC
25	A060B914	AVR DECS150	1	Yes	A	SC
25	A062Y338	AVR MX322	1	Yes	A	SC
25	E000-23212/1P	AVR MX321	1	Yes	A	SC
25	E000-23215/1P	AVR MX321 UL	1	Yes	A	SC
25	E000-23408/1P	AVR MX341 UL	1	Yes	A	SC
25	E000-23412/1P	AVR MX341	1	Yes	A	SC

Item	Part No.	Description	Qty.	Recommended Service Part	RSL Class	RSL Type
26	003-14055	Auxiliary Terminal Board	2	-	-	-
27	45-0073	Heater Kit 110-125v	1	-	-	-
27	45-0074	Heater 220-260v	1	-	-	-
27	A040G620	Heater Kit 220-260v To Include Term Box For Retro	1	-	-	-
27	A040G624	Heater Kit 110-125v To Include Term Box For Retro	1	-	-	-
27	A053M968	Heater Kit 110-125v UL Cert	1	-	-	-
27	A053N002	Heater 220-260v UL Cert	1	-	-	-
27	A053X252	Heater Kit 110-125v To Include Term Box For Retro UL Cert	1	-	-	-
27	A053X255	Heater Kit 220-260v To Include Term Box For Retro UL Cert	1	-	-	-
28	45-0024	Terminal Box For Heaters	1	-	-	-
29	660-10870	DE Bearing Cartridge (G-H)	1	-	-	-
29	A057U170	DE Bearing Cartridge (C-F)	1	-	-	-
30	45-0339	DE Bearing Kit (Sealed)	1	-	-	-
31	660-10872	DE Bearing Cap Outer (G-H)	1	-	-	-
31	A057U174	DE Bearing Cap Outer (C-F)	1	-	-	-
32	45-0683	2bearing Adapter Kit (SAE0) 660fan (C-F)	1	-	-	-
32	A028B524	2 Bearing Adapter Kit (SAE0+SAE1 Ring) 660 Fan (C-F)	1	-	-	-
32	A058A533	2bearing Adapter Kit SAE00 800fan (G-H)	1	-	-	-
32	A058A539	2bearing Adapter Kit SAE0 800fan (G-H)	1	-	-	-
33	INCLUDED IN ITEM 32	DE Cover Screen (Included In Kits)	1	-	-	-
34	A059M483	DE Bracket-660mm Fan (C-F) Kit	1	-	-	-
34	A059M485	DE Bracket-800mm Fan (G-H) Kit	1	-	-	-
35	A056W894	DE Adapter Side Cover 660 Fan (C-F) (Included In Item 34)	2	-	-	-
35	A057K006	DE Adapter Side Cover 800 Fan (G-H) (Included In Item 34)	2	-	-	-
36	A056W896	DE Adapter Top And Bottom Cover2b, 660 Fan (C-F) (Included In Item 34)	2	-	-	-
36	A057K009	DE Adapter Top And Bottom Cover2b, 800 Fan (G-H) (Included In Item 34)	2	-	-	-

Item	Part No.	Description	Qty.	Recommended Service Part	RSL Class	RSL Type
Not Shown	45-0281	Kluber Grease 400g	1	Yes	B	M
Not Shown	450-42100	2:1 Isolation transformer	1	Yes	A	SC
Not Shown	E000-22070/P	1:1 Isolation Transformer & Bracket Assembly	1	Yes	A	SC

31 P7 (A-G) One Bearing Alternator

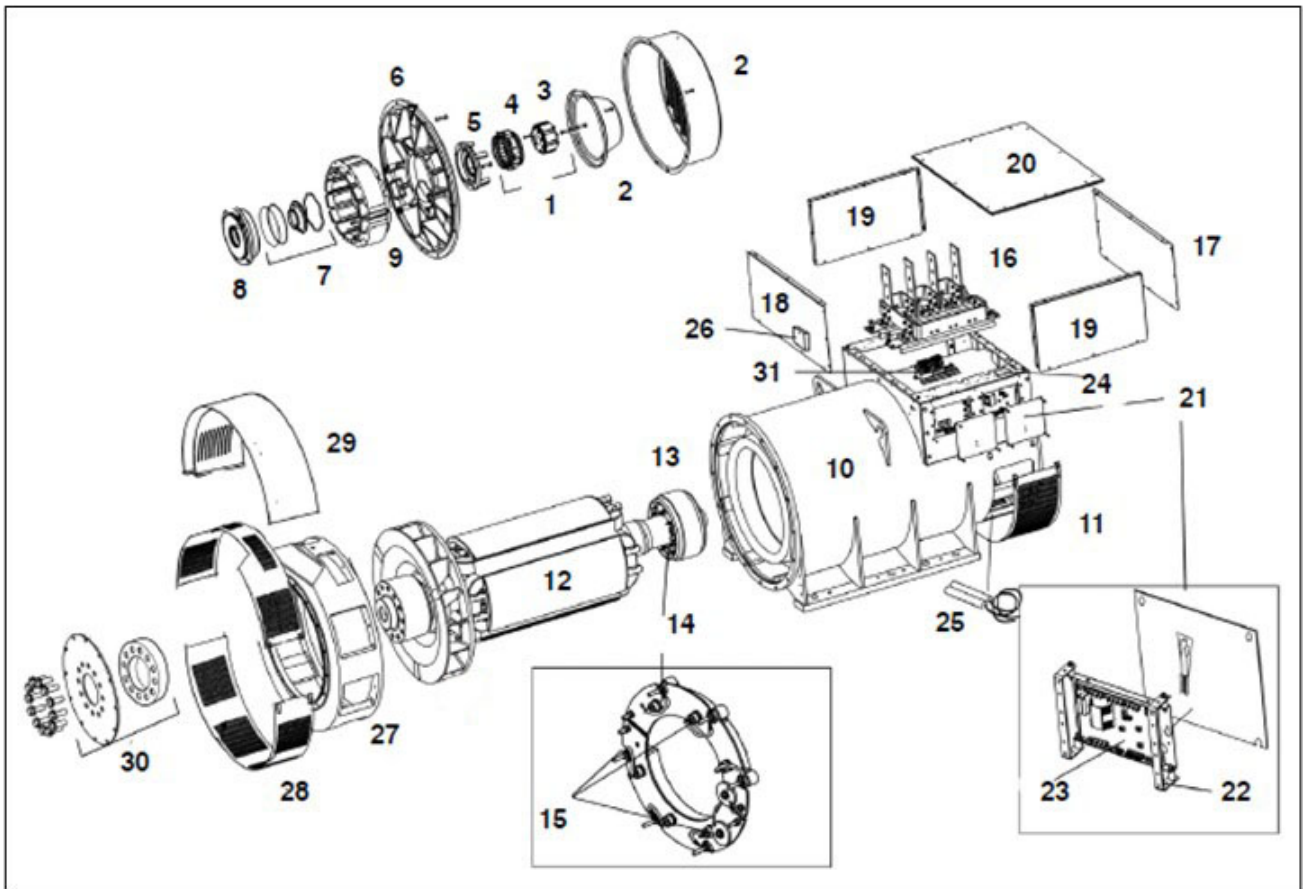


FIGURE 30. P7 (A-G) ONE BEARING ALTERNATOR PARTS DRAWING

TABLE 31. P7 (A-G) ONE BEARING ALTERNATOR PARTS LIST

Item	Part No.	Description	Qty.	Recommended Service Part	RSL Class	RSL Type
1	45-0119A	Complete PMG Upfit Kit	1	-	-	-
2	760-10562	PMG Cover (Cover Included In Above Kit)	1	-	-	-
2a	760-10965	NDE Air Inlet Cover (G) (Marine)	1	-	-	-
2a	760-11005	NDE Air Inlet Cover (Circular)	1	-	-	-
2a	760-11279	NDE Air Inlet Cover (G) Only	1	-	-	-
3	45-1082	PMG Rotor/Stator Repair Kit	1	Yes	B	SC
4	45-1082	PMG Rotor/Stator Repair Kit	1	Yes	B	SC
5	760-10823	NDE Bearing Cap	1	-	-	-
5	760-11026	NDE Bearing Cap For Use With Hardened Cartridge	1	-	-	-
6	760-10819	NDE Bracket A-F	1	-	-	-
6	760-11205	NDE Bracket (G)	1	-	-	-

Item	Part No.	Description	Qty.	Recommended Service Part	RSL Class	RSL Type
7	45-0336	NDE Regrease Bearing Kit	1	Yes	B	M
7	45-0418	NDE Sealed Bearing Kit	1	Yes	B	M
7	45-1153	NDE Regrease Bearing Kit With Caps And Cartridges (A-E)	1	-	-	-
7	A054Y391	NDE Sealed Bearing Kit With Caps And Cartridges (A-E)	1	-	-	-
8	760-10821	NDE Bearing Cartridge	1	-	-	-
8	760-11016	NDE Bearing Cartridge (Hardened)	1	-	-	-
9	366-40800	Exciter Stator 75mm (A-F)	1	-	-	-
9	760-1151	Exciter Stator 100mm (G)	1	-	-	-
9	A052D957	Exciter Stator A-F (75mm) Severe Environmental	1	-	-	-
9	A052D963	Exciter Stator (G) (100mm) Severe Environmental	1	-	-	-
10	QMSN	Main Stator Frame Assembly	1	-	-	-
11	366-21200	NDE Bottom Cover (Marine - Louvered)	1	-	-	-
11	366-21300	NDE Bottom Cover (Air Filter)	1	-	-	-
11	760-11274	NDE Bottom Cover (A-F)	1	-	-	-
12	QMSN	Main Rotor Assembly	1	-	-	-
13	760-1178	Exciter Rotor 100mm G,R,S,T	1	Yes	A	SC
13	760-1186	Exciter Rotor 75mm (A-F)	1	Yes	A	SC
14	760-11216	Rotating Rectifier Assembly	1	Yes	B	SC
15	RSK-6001	Diode Forward/Reverse And Varistor Kit	1	Yes	A	SC
16	QMSN	Main Terminal Board	1	-	-	-
17	760-11185	Terminal Box End Panel NDE-Standard	1	-	-	-
17	760-11268	Terminal Box End Panel NDE High Box	1	-	-	-
17	760-11594	Terminal Box End Panel NDE-Standard With Air Filters	1	-	-	-
17	760-11594	Terminal Box End Panel NDE-Standard With Air Filters Marine	1	-	-	-
17	A041 BEARING941	Terminal Box End Panel NDE High With A/F (Marine)	1	-	-	-
17	A041 BEARING941	Terminal Box End Panel NDE High With Air Filters	1	-	-	-
18	760-11185	Terminal Box End Panel DE-Standard	1	-	-	-

Item	Part No.	Description	Qty.	Recommended Service Part	RSL Class	RSL Type
18	760-11185	Terminal Box End Panel DE-Standard With Air Filters	1	-	-	-
18	760-11185	Terminal Box End Panel DE-Standard With Air Filters Marine	1	-	-	-
18	760-11268	Terminal Box End Panel DE High Box	1	-	-	-
18	760-11268	Terminal Box End Panel DE High With A/F (Marine)	1	-	-	-
18	760-11268	Terminal Box End Panel DE High With Air Filters	1	-	-	-
19	760-11186	Terminal Box Side Panel-Standard	2	-	-	-
19	760-11186	Terminal Box Side Panel-Standard With Air Filter	2	-	-	-
19	760-11186	Terminal Box Side Panel-Standard With Air Filter Marine	2	-	-	-
19	760-11269	Terminal Box Side Panel-High Box	2	-	-	-
19	760-11269	Terminal Box Side Panel-High With A/F (Marine)	2	-	-	-
19	760-11269	Terminal Box Side Panel-High With Air Filter	2	-	-	-
20	760-10663	Terminal Box Lid Standard/High/Air Filter And Marine	1	-	-	-
21	450-15254	AVR Cover Plate (Access)	1	-	-	-
21	450-16413	AVR Plastic Cover (Eu Machine Dir.)	1	-	-	-
21	450-16417	AVR Cover Plate (Access) (Eu Machine Dir.)	1	-	-	-
22	45-0742	AVR Mounting Bracket	1	-	-	-
23	A060B914	AVR DECS150	1	Yes	A	SC
23	A062Y338	AVR MX322	1	Yes	A	SC
23	E000-23212/1P	AVR MX321	1	Yes	A	SC
23	E000-23215/1P	AVR MX321 UL	1	Yes	A	SC
23	E000-23408/1P	AVR MX341 UL	1	Yes	A	SC
23	E000-23412/1P	AVR MX341	1	Yes	A	SC
23	E000-23800	AVR DM110	1	Yes	A	SC
24	450-15489	Auxiliary Terminal Board	1	-	-	-
25	45-0324	Heater Kit 110-125v	1	-	-	-
25	45-0325	Heater Kit 220-260v	1	-	-	-
25	45-1047	Heater Kit 110-125v (G)	1	-	-	-
25	45-1048	Heater Kit 220-260v (G)	1	-	-	-

Item	Part No.	Description	Qty.	Recommended Service Part	RSL Class	RSL Type
25	A040G626	Heater Kit 220-260v To Include Term Box For Retro	1	-	-	-
25	A051Y955	Heater Kit 110-125v To Include Term Box For Retro	1	-	-	-
25	A053M969	Heater 110-125v UL Cert	1	-	-	-
25	A053M999	Heater Kit 110-125v (G Core) UL Cert	1	-	-	-
25	A053N003	Heater Kit 220-260v UL Cert	1	-	-	-
25	A053N109	Heater Kit 220-260v (Four Heater Cartridges) UL Cert (G)	1	-	-	-
25	A053X258	Heater Kit 110-125v To Include Term Box For Retro UL Cert	1	-	-	-
25	A053X260	Heater Kit 220-260v To Include Term Box For Retro UL Cert	1	-	-	-
25	A053X401	Heater Kit 220-260v (G Core) To Include Term Box For Retro UL Cert	1	-	-	-
25	A053X422	Heater Kit 110-125v (G Core) To Include Term Box For Retro UL Cert	1	-	-	-
26	45-0024	Terminal Box For Heaters	1	-	-	-
27	45-1011	DE Adaptor Kit (SAE 0)	1	-	-	-
27	45-1012	DE Adaptor Kit (SAE 00)	1	-	-	-
28	SEE NO. 29	DE Screen (Included In Adaptor Kits)	1	-	-	-
29	45-1049	Louvre Kit SAE 00 (A-F)	1	-	-	-
29	45-1050	Louvre Kit SAE 00 (G)	1	-	-	-
29	45-1051	Louvre Kit SAE 0 (A-F)	1	-	-	-
29	45-1052	Louvre Kit SAE 0 (G)	1	-	-	-
30	45-0792	Coupling Kit SAE 18 (Standard)	1	-	-	-
30	45-0793	Coupling Kit SAE 21	1	-	-	-
30	45-0794	Coupling Kit SAE 24	1	-	-	-
30	45-1005	Coupling Kit SAE 18 (Special 12 Hole)	1	-	-	-
31	450-41650	Isolation Transformer 2.5 To 1 (500 To 600v)	1	-	-	-
31	450-41750	Isolation Transformer 3 To 1 (601 To 720v)	1	-	-	-
31	450-42150	Isolation Transformer 2 To 1 (Up To 480v)	1	-	-	-
31	450-42250	Isolation Transformer 2.5 To 1 (600 To 240v)	1	-	-	-

Item	Part No.	Description	Qty.	Recommended Service Part	RSL Class	RSL Type
31	450-42350	Isolation Transformer 3 To 1 (720 To 240v)	1	-	-	-
31	A040L270	Isolation Transformer 2 To 1 (Up To 480v) (UL Cert)	1	-	-	-
31	A040N063	Isolation Transformer 2.5 To 1 (600 To 240v) (UL Cert)	1	-	-	-
31	A049N972	Isolation Transformer 3 To 1 (720 To 240v) (UL Cert)	1	-	-	-
31	TBA	Isolation Transformer 2.5 To 1 (500 To 600v) (UL Cert)	TBA	-	-	-
31	TBA	Isolation Transformer 3 To 1 (601 To 720v) (UL Cert)	TBA	-	-	-

-

This page is intentionally blank.

32 P7 (A-G) Two Bearing Alternator

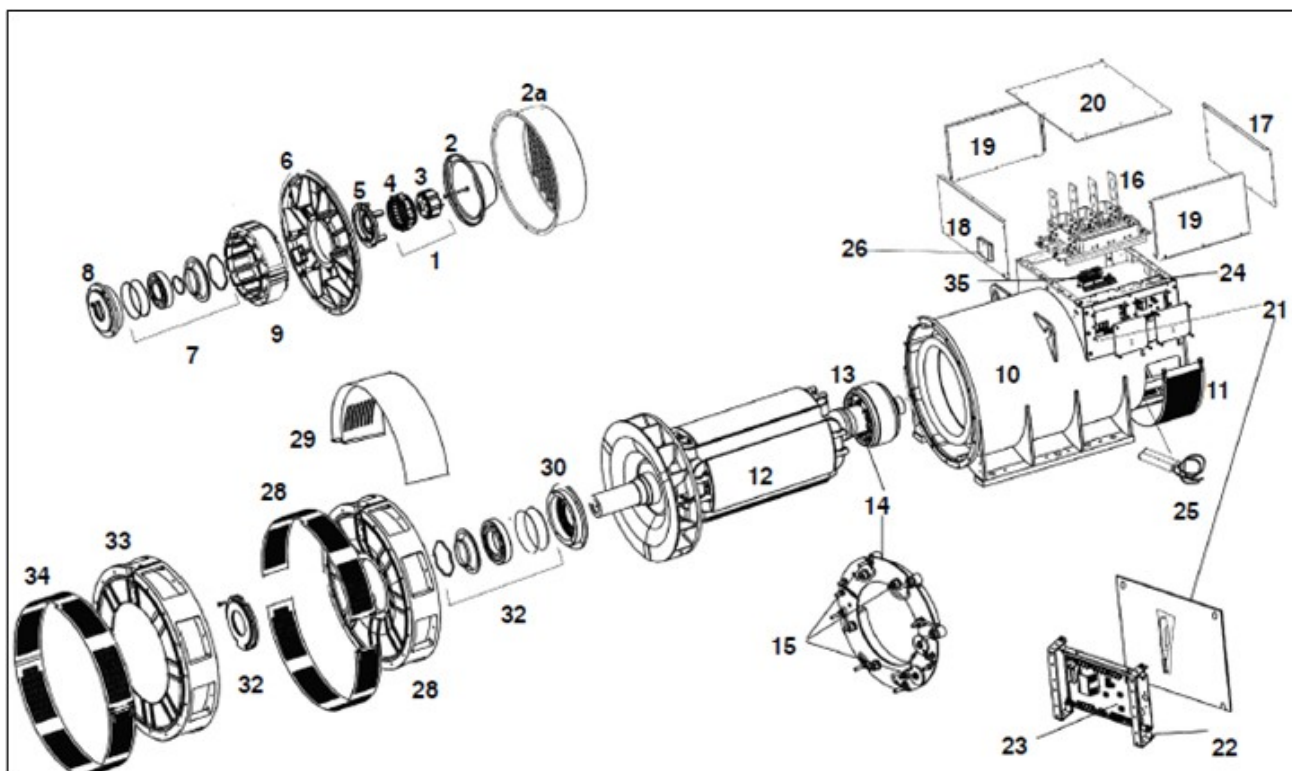


FIGURE 31. P7 (A-G) TWO BEARING ALTERNATOR PARTS DRAWING

TABLE 32. P7 (A-G) TWO BEARING ALTERNATOR PARTS LIST

Item	Part No.	Description	Qty.	Recommended Service Part	RSL Class	RSL Type
1	45-0119A	Complete PMG Upfit Kit	1	-	-	-
2	760-10562	PMG Cover (Cover Included In Above Kit)	1	-	-	-
2a	760-10965	NDE Air Inlet Cover (G) (Marine)	1	-	-	-
2a	760-11005	NDE Air Inlet Cover (Circular)	1	-	-	-
2a	760-11279	NDE Air Inlet Cover (G)	1	-	-	-
3	45-1082	PMG Rotor/Stator Repair Kit	1	Yes	B	SC
4	45-1082	PMG Rotor/Stator Repair Kit	1	Yes	B	SC
5	760-10823	NDE Bearing Cap	1	-	-	-
5	760-11026	NDE Bearing Cap For Use With Hardened Cartridge	1	-	-	-
6	760-10819	NDE Bracket A -F	1	-	-	-
6	760-11205	NDE Bracket (G)	1	-	-	-
7	45-0336	NDE Regrease Bearing Kit	1	Yes	B	M
7	45-0419	NDE Sealed Bearing Kit	1	Yes	B	M

Item	Part No.	Description	Qty.	Recommended Service Part	RSL Class	RSL Type
7	45-1153	NDE Regrease Bearing Kit With Caps And Cartridges (A-E)	1	-	-	-
7	A054Y408	NDE Sealed Bearing Kit With Caps And Cartridges (A-E)	1	-	-	-
8	760-10821	NDE Bearing Cartridge	1	-	-	-
8	760-11016	NDE Bearing Cartridge (Hardened)	1	-	-	-
9	366-40800	Exciter Stator 75mm (A-F)	1	-	-	-
9	760-1151	Exciter Stator 100mm (G)	1	-	-	-
9	A052D957	Exciter Stator A-F (75mm) Severe Environmental	1	-	-	-
9	A052D963	Exciter Stator (G) (100mm) Severe Environmental	1	-	-	-
10	QMSN	Main Stator Frame Assembly	1	-	-	-
11	366-21200	NDE Bottom Cover (Marine - Louvered)	1	-	-	-
11	366-21300	NDE Bottom Cover (Air Filter) A-F	1	-	-	-
11	760-11274	NDE Bottom Cover (A-F)	1	-	-	-
12	QMSN	Main Rotor Assembly	1	-	-	-
13	760-1178	Exciter Rotor 100mm G,R,S,T	1	Yes	A	SC
13	760-1186	Exciter Rotor 75mm (A-F)	1	Yes	A	SC
14	760-11216	Rotating Rectifier Assembly	1	Yes	B	SC
15	RSK-6001	Diode Forward/Reverse And Varistor Kit	1	Yes	A	SC
16	QMSN	Main Terminal Board	1	-	-	-
17	760-11185	Terminal Box End Panel NDE-Standard	1	-	-	-
17	760-11268	Terminal Box End Panel NDE High Box	1	-	-	-
17	760-11594	Terminal Box End Panel NDE-Standard With Air Filters	1	-	-	-
17	760-11594	Terminal Box End Panel NDE-Standard With Air Filters Marine	1	-	-	-
17	A041 BEARING941	Terminal Box End Panel NDE High With A/F (Marine)	1	-	-	-
17	A041 BEARING941	Terminal Box End Panel NDE High With Air Filters	1	-	-	-
18	760-11185	Terminal Box End Panel DE-Standard	1	-	-	-
18	760-11185	Terminal Box End Panel DE-Standard With Air Filters	1	-	-	-

Item	Part No.	Description	Qty.	Recommended Service Part	RSL Class	RSL Type
18	760-11185	Terminal Box End Panel DE-Standard With Air Filters Marine	1	-	-	-
18	760-11268	Terminal Box End Panel DE High Box	1	-	-	-
18	760-11268	Terminal Box End Panel DE High With A/F (Marine)	1	-	-	-
18	760-11268	Terminal Box End Panel DE High With Air Filters	1	-	-	-
19	760-11186	Terminal Box Side Panel-Standard	2	-	-	-
19	760-11186	Terminal Box Side Panel-Standard With Air Filter	2	-	-	-
19	760-11186	Terminal Box Side Panel-Standard With Air Filter Marine	2	-	-	-
19	760-11269	Terminal Box Side Panel-High Box	2	-	-	-
19	760-11269	Terminal Box Side Panel-High With A/F (Marine)	2	-	-	-
19	760-11269	Terminal Box Side Panel-High With Air Filter	2	-	-	-
20	760-10663	Terminal Box Lid Standard/High/Air Filter And Marine	1	-	-	-
21	450-15254	AVR Cover Plate (Access)	1	-	-	-
21	450-16413	AVR Plastic Cover (Eu Machine Dir.)	1	-	-	-
21	450-16417	AVR Cover Plate (Access) (Eu Machine Dir.)	1	-	-	-
22	45-0742	AVR Mounting Bracket	1	-	-	-
23	A060B914	AVR DECS150	1	Yes	A	SC
23	A062Y338	AVR MX322	1	Yes	A	SC
23	E000-23212/1P	AVR MX321	1	Yes	A	SC
23	E000-23215/1P	AVR MX321 UL	1	Yes	A	SC
23	E000-23408/1P	AVR MX341 UL	1	Yes	A	SC
23	E000-23412/1P	AVR MX341	1	Yes	A	SC
23	E000-23800	AVR DM110	1	Yes	A	SC
24	450-15489	Auxiliary Terminal Board	1	-	-	-
25	45-0324	Heater Kit 110-125v	1	-	-	-
25	45-0325	Heater Kit 220-260v	1	-	-	-
25	45-1047	Heater Kit 110-125v (G)	1	-	-	-
25	45-1048	Heater Kit 220-260v (G)	1	-	-	-
25	A040G626	Heater Kit 220-260v To Include Term Box For Retro	1	-	-	-

Item	Part No.	Description	Qty.	Recommended Service Part	RSL Class	RSL Type
25	A051Y955	Heater Kit 110-125v To Include Term Box For Retro	1	-	-	-
25	A053M969	Heater Kit 110-125v UL Cert	1	-	-	-
25	A053M999	Heater Kit 110-125v (G Core) UL Cert	1	-	-	-
25	A053N003	Heater Kit 220-260v UL Cert	1	-	-	-
25	A053N109	Heater Kit 220-260v (Four Heater Cartridges) UL Cert (G)	1	-	-	-
25	A053X258	Heater Kit 110-125v To Include Term Box For Retro UL Cert	1	-	-	-
25	A053X260	Heater Kit 220-260v To Include Term Box For Retro UL Cert	1	-	-	-
25	A053X401	Heater Kit 220-260v (G Core) To Include Term Box For Retro UL Cert	1	-	-	-
25	A053X422	Heater Kit 110-125v (G Core) To Include Term Box For Retro UL Cert	1	-	-	-
26	45-0024	Terminal Box For Heaters	1	-	-	-
27	760-10912	DE Bracket (F-G)	1	-	-	-
27	760-11160	DE Bracket (A-E)	1	-	-	-
28	760-10930	DE Bracket Screen Bottom	1	-	-	-
28	760-11392	DE Bracket Screen Top (Industrial)	1	-	-	-
29	45-1053	Louvre Kit (A-F)	1	-	-	-
29	45-1054	Louvre Kit (G)	1	-	-	-
30	760-10829	DE Bearing Cartridge (A-E)	1	-	-	-
30	760-10923	DE Bearing Cartridge (F-G)	1	-	-	-
31	45-0335	DE Regrease Bearing Kit (A-E)	1	Yes	B	M
31	45-0425	DE Regrease Bearing Kit (F-G)	1	Yes	B	M
31	45-1077	NDE And DE Regrease Bearing Kit Complete (A-E)	1	-	-	-
31	45-1078	NDE And DE Regrease Bearing Kit Complete (F-G)	1	-	-	-
31	45-1154	DE Regrease Bearing Kit With Caps And Cartridges (A-E)	1	-	-	-
31	45-1155	DE Regrease Bearing Kit With Caps And Cartridges (F-G)	1	-	-	-
32	760-10831	DE Bearing Cap (A-E)	1	-	-	-
32	760-10924	DE Bearing Cap (F-G)	1	-	-	-
33	45-0715	2 Bearing Adaptor Kit SAE 00 (A-E)	1	-	-	-
33	45-0716	2 Bearing Adaptor Kit SAE 0 (A-E)	1	-	-	-

Item	Part No.	Description	Qty.	Recommended Service Part	RSL Class	RSL Type
33	45-1038	2 Bearing Adaptor Kit SAE 00 (F-G)	1	-	-	-
33	A051Y983	2 Bearing Adaptor Kit SAE 0 (F-G)	1	-	-	-
34	INCLUDED IN 34	DE Cover Screen (Included In Kits)	1	-	-	-
35	450-41650	Isolation Transformer 2.5 To 1 (500 To 600v)	1	-	-	-
35	450-41750	Isolation Transformer 3 To 1 (601 To 720v)	1	-	-	-
35	450-42150	Isolation Transformer 2 To 1 (Up To 480v)	1	-	-	-
35	450-42250	Isolation Transformer 2.5 To 1 (600 To 240v)	1	-	-	-
35	450-42350	Isolation Transformer 3 To 1 (720 To 240v)	1	-	-	-
35	A040L270	Isolation Transformer 2 To 1 (Up To 480v) (UL Cert)	1	-	-	-
35	A040N063	Isolation Transformer 2.5 To 1 (600 To 240v) (UL Cert)	1	-	-	-
35	A049N972	Isolation Transformer 3 To 1 (720 To 240v) (UL Cert)	1	-	-	-
35	TBA	Isolation Transformer 2.5 To 1 (500 To 600v) (UL Cert)	TBA	-	-	-
35	TBA	Isolation Transformer 3 To 1 (601 To 720v) (UL Cert)	TBA	-	-	-

-

This page is intentionally blank.

33 S7 LV One Bearing Alternator

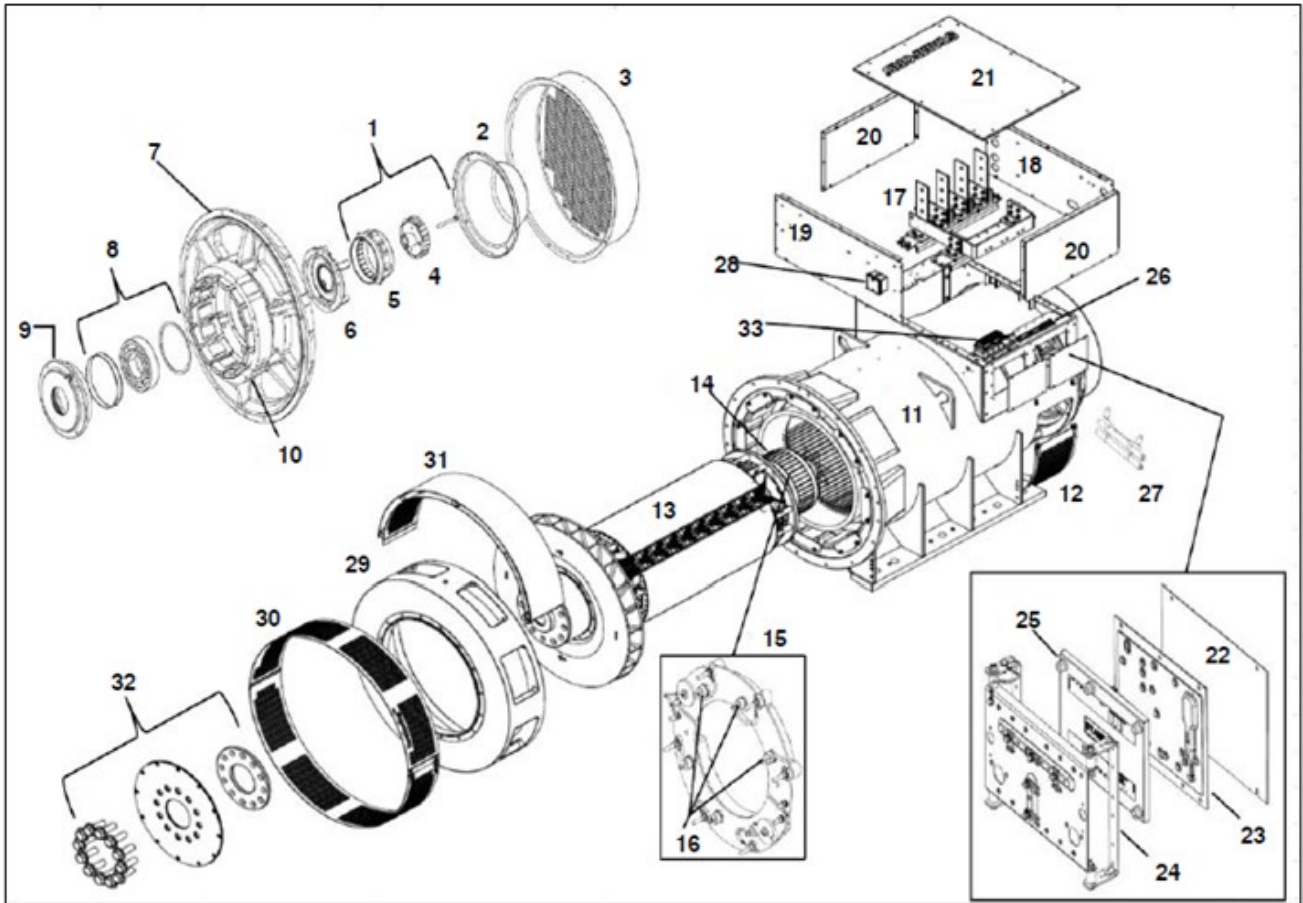


FIGURE 32. S7 LV ONE BEARING ALTERNATOR PARTS DRAWING

TABLE 33. S7 LV ONE BEARING ALTERNATOR PARTS LIST

Item	Part No.	Description	Qty.	Recommended Service Part	RSL Class	RSL Type
1	45-0119A	Complete PMG Upfit Kit	1	-	-	-
2	760-10562	PMG Cover (Cover Included In Above Kit)	1	-	-	-
3	760-10965	NDE Air Inlet Cover (J) Marine	1	-	-	-
3	760-11005	NDE Air Inlet Cover (J) (Circular)	1	-	-	-
3	760-11279	NDE Air Inlet Cover (J)	1	-	-	-
3	A067S592	NDE Air Inlet Mesh Cover (K)	1	-	-	-
3	A067U584	NDE Air Inlet Louvre Cover (K)	1	-	-	-
4	45-1082	PMG Rotor/Stator Repair Kit	1	Yes	B	SC
5	45-1082	PMG Rotor/Stator Repair Kit	1	Yes	B	SC
6	760-10823	NDE Bearing Cap (C-J)	1	-	-	-
6	760-11026	NDE Bearing Cap For Use With Hardened Cartridge	1	-	-	-

Item	Part No.	Description	Qty.	Recommended Service Part	RSL Class	RSL Type
6	A067S063	NDE Bearing Cap (K)	1	-	-	-
7	760-10819	NDE Bracket (C-H)	1	-	-	-
7	760-11205	NDE Bracket (J)	1	-	-	-
7	A065H305	NDE Bracket (K)	1	-	-	-
8	45-0336	NDE Regrease Bearing Kit (C-J)	1	Yes	B	M
8	45-0418	NDE Sealed Bearing Kit	1	Yes	B	M
8	45-0407	NDE Regrease Bearing Kit (K)	1	-	-	-
8	45-1153	NDE Regrease Bearing Kit With Caps And Cartridges (C-J)	1	-	-	-
8	A054Y391	NDE Sealed Bearing Kit With Caps And Cartridges	1	-	-	-
8	A074U518	NDE Regrease Bearing Kit With Caps And Cartridges (K)	1	-	-	-
9	760-10821	NDE Bearing Cartridge (C-J)	1	-	-	-
9	760-11016	NDE Bearing Cartridge (Hardened)	1	-	-	-
9	A067S066	NDE Bearing Cartridge (K)	1	-	-	-
10	366-15300	Exciter Stator 100mm (H-J)	1	Yes	A	SC
10	A061L567	Exciter Stator 75mm (C-G)	1	Yes	A	SC
10	A063V195	Exciter Stator 125mm (K)	1	Yes	A	SC
11	QMSN	Main Stator Frame Assembly	1	-	-	-
12	366-21200	NDE Bottom Cover (Marine - Louvered)	1	-	-	-
12	366-21300	NDE Bottom Cover (Air Filter)	1	-	-	-
12	760-11274	NDE Bottom Cover	1	-	-	-
13	QMSN	Main Rotor Assembly	1	-	-	-
14	760-1178	Exciter Rotor 100mm (H-J)	1	Yes	A	SC
14	760-1186	Exciter Rotor 75mm (C-G)	1	Yes	A	SC
14	A065U425	Exciter Rotor 125mm (K)	1	Yes	A	SC
15	760-11216	Rotating Rectifier Assembly	1	Yes	B	SC
16	RSK-6001	Diode Forward/Reverse And Varistor Kit	1	Yes	A	SC
17	QMSN	Main Terminal Board	1	-	-	-
18	760-11185	Terminal Box End Panel NDE-Standard	1	-	-	-
18	760-11268	Terminal Box End Panel NDE-High Box	1	-	-	-
18	760-11594	Terminal Box End Panel NDE-Standard With Air Filter	1	-	-	-

Item	Part No.	Description	Qty.	Recommended Service Part	RSL Class	RSL Type
18	760-11594	Terminal Box End Panel NDE-Standard With Air Filter Marine	1	-	-	-
18	A041B941	Terminal Box End Panel NDE High With Air Filter	1	-	-	-
18	A041B941	Terminal Box End Panel NDE High With Air Filter Marine	1	-	-	-
18	A062Z045	Terminal Box End Panel NDE-High Box 500mm	1	-	-	-
19	760-11185	Terminal Box End Panel DE-Standard	1	-	-	-
19	760-11185	Terminal Box End Panel DE-Standard With Air Filter	1	-	-	-
19	760-11185	Terminal Box End Panel DE-Standard With Air Filter Marine	1	-	-	-
19	760-11268	Terminal Box End Panel DE-High Box	1	-	-	-
19	760-11268	Terminal Box End Panel DE-High With Air Filter Marine	1	-	-	-
19	760-11268	Terminal Box End Panel DE-High With Air Filter	1	-	-	-
19	A062Z045	Terminal Box End Panel DE-Extra-High Box 500mm	1	-	-	-
20	760-11186	Terminal Box Side Panel-Standard	2	-	-	-
20	760-11186	Terminal Box Side Panel-Standard With Air Filter	2	-	-	-
20	760-11186	Terminal Box Side Panel-Standard With Air Filter Marine	2	-	-	-
20	760-11269	Terminal Box Side Panel-High Box	2	-	-	-
20	760-11269	Terminal Box Side Panel-High With Air Filter	2	-	-	-
20	760-11269	Terminal Box Side Panel-High With Air Filter Marine	2	-	-	-
20	A062Z046	Terminal Box Side Panel-Extra High Box 500mm	2	-	-	-
21	760-10663	Terminal Box Lid Standard/High/Air Filter And Marine	1	-	-	-
22	450-15254	AVR Cover Plate (Access)	1	-	-	-
22	450-16417	AVR Cover Plate (Access) (Eu Machine Dir.)	1	-	-	-
22a	450-16413	AVR Plastic Cover (Eu Machine Dir.)	1	-	-	-
23	45-0742	AVR Mounting Bracket	1	-	-	-
24	A060B914	AVR DECS150	1	Yes	A	SC

Item	Part No.	Description	Qty.	Recommended Service Part	RSL Class	RSL Type
24	A062Y338	AVR MX322	1	Yes	A	SC
24	E000-23408/1P	AVR MX341 UL	1	Yes	A	SC
24	E000-23412/1P	AVR MX341	1	Yes	A	SC
24	E000-23800	AVR DM110	1	Yes	A	SC
25	450-15489	Auxiliary Terminal Board	1	-	-	-
26	45-0324	Heater Kit 110-125v	1	-	-	-
26	45-0325	Heater Kit 220-260v	1	-	-	-
26	45-1047	Heater Kit 110-125v	1	-	-	-
26	45-1048	Heater Kit 220-260v	1	-	-	-
26	A040G626	Heater Kit 220-260v To Include Term Box For Retro	1	-	-	-
26	A051Y955	Heater Kit 110-125v To Include Term Box For Retro	1	-	-	-
26	A053M969	Heater 110-125v UL Cert	1	-	-	-
26	A053M999	Heater Kit 110-125v (Four Heater Cartridges) UL Cert	1	-	-	-
26	A053N003	Heater Kit 220-260v UL Cert	1	-	-	-
26	A053N109	Heater Kit 220-260v (Four Heater Cartridges) UL Cert	1	-	-	-
26	A053X258	Heater Kit 110-125v To Include Term Box For Retro UL Cert	1	-	-	-
26	A053X260	Heater Kit 220-260v To Include Term Box For Retro UL Cert	1	-	-	-
26	A053X401	Heater Kit 220-260v (Four Heater Cartridges) To Inc Term Box For Retro UL	1	-	-	-
26	A053X422	Heater Kit 110-125v (Four Heater Cartridges) To Inc Term Box For Retro UL	1	-	-	-
27	45-0024	Terminal Box For Heaters	1	-	-	-
30	A062G747	DE Adaptor Kit (SAE 0) (C)	1	-	-	-
30	A062G770	DE Adaptor Kit (SAE 0) (D-H)	1	-	-	-
30	A062G782	DE Adaptor Kit (SAE 00) (C-H)	1	-	-	-
30	A062G795	DE Adaptor Kit (SAE 0) (J)	1	-	-	-
30	A062G809	DE Adaptor kit (SAE 00) (J)	1	-	-	-
31	See No.30	DE Screen (Included In Adaptor Kits)	1	-	-	-
32	45-1049	Louvre Kit SAE 00 (C-H)	1	-	-	-
32	45-1050	Louvre Kit SAE 00 (J)	1	-	-	-
32	45-1051	Louvre Kit SAE 0 (C-H)	1	-	-	-

Item	Part No.	Description	Qty.	Recommended Service Part	RSL Class	RSL Type
32	45-1052	Louvre Kit SAE 0 (J)	1	-	-	-
33	45-0792	Coupling Kit SAE 18 (Standard)	1	-	-	-
33	45-0793	Coupling Kit SAE 21	1	-	-	-
33	45-0794	Coupling Kit SAE 24	1	-	-	-
33	45-1005	Coupling Kit SAE 18 (Special 12 Hole)	1	-	-	-
52	450-41650	Isolation Transformer 2 To 1 (600 To 240v)	1	-	-	-
52	450-41750	Isolation Transformer 3 to 1 (720 to 240v)	1	-	-	-
52	450-42150	Isolation Transformer 2 To 1 (Up To 480v)	1	-	-	-
52	A040L270	Isolation Transformer 2 To 1 (480 To 240 V) (UL Cert)	1	-	-	-
52	A040N063	Isolation Transformer 2.5 To 1 (600 To 240v) (UL Cert)	1	-	-	-
52	A049N972	Isolation Transformer 3 To 1 (720 To 240v) (UL Cert)	1	-	-	-
Not Shown	45-0281	Kluber Grease 400g	1	Yes	B	M

-

This page is intentionally blank.

34 S7 LV Two Bearing Alternator

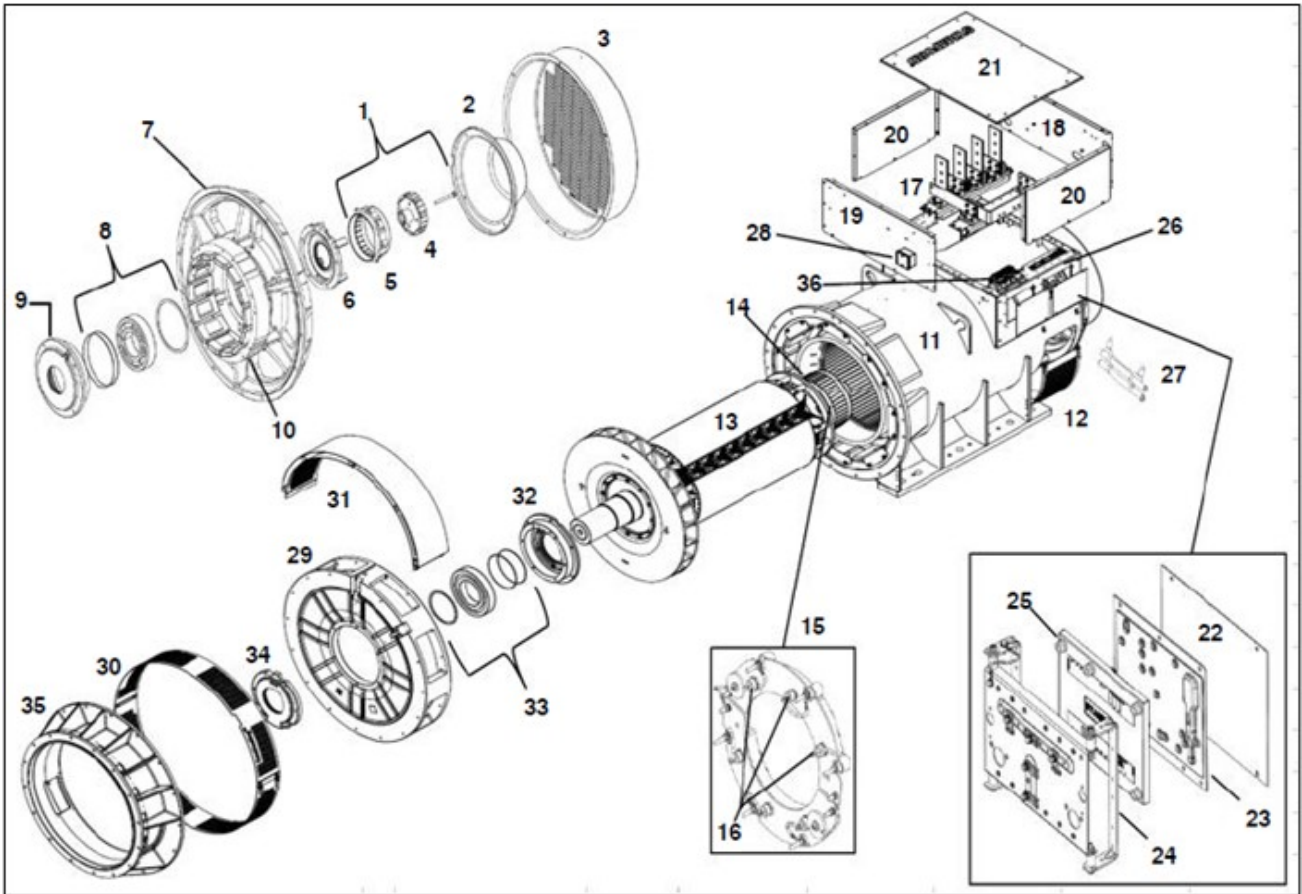


FIGURE 33. S7 LV TWO BEARING ALTERNATOR PARTS DRAWING

TABLE 34. S7 LV TWO BEARING ALTERNATOR PARTS LIST

Item	Part No.	Description	Qty.	Recommended Service Part	RSL Class	RSL Type
1	45-0119A	Complete PMG Upfit Kit	1	-	-	-
2	760-10562	PMG Cover (Cover Included In Above Kit)	1	-	-	-
3	760-10965	NDE Air Inlet Cover (J) Marine	1	-	-	-
3	760-11005	NDE Air Inlet Cover (J) (Circular)	1	-	-	-
3	760-11279	NDE Air Inlet Cover (J)	1	-	-	-
3	A067S592	NDE Air Inlet Mesh Cover (K)	1	-	-	-
3	A067U584	NDE Air Inlet Louvre Cover (K)	1	-	-	-
4	45-1082	PMG Rotor/Stator Repair Kit	1	Yes	B	SC
5	45-1082	PMG Rotor/Stator Repair Kit	1	Yes	B	SC
6	760-10823	NDE Bearing Cap (C-J)	1	-	-	-
6	760-11026	NDE Bearing Cap For Use With Hardened Cartridge	1	-	-	-

Item	Part No.	Description	Qty.	Recommended Service Part	RSL Class	RSL Type
6	A067S063	NDE Bearing Cap (K)	1	-	-	-
7	760-10819	NDE Bracket (C-H)	1	-	-	-
7	760-11205	NDE Bracket (J)	1	-	-	-
7	A065H305	NDE Bracket (K)	1	-	-	-
8	45-0336	NDE Regrease Bearing Kit (C-J)	1	Yes	B	M
8	45-0419	NDE Sealed Bearing Kit	1	Yes	B	M
8	45-0407	NDE Regrease Bearing Kit (K)	1	-	-	-
8	45-1153	NDE Regrease Bearing Kit With Caps And Cartridges	1	-	-	-
8	A054Y408	NDE Sealed Bearing Kit With Caps And Cartridges	1	-	-	-
8	A074U518	NDE Regrease Bearing Kit With Caps And Cartridges (K)	1	-	-	-
9	760-10821	NDE Bearing Cartridge (C-J)	1	-	-	-
9	760-11016	NDE Bearing Cartridge (Hardened)	1	-	-	-
9	A067S066	NDE Bearing Cartridge (K)	1	-	-	-
10	366-15300	Exciter Stator 100mm (H-J)	1	Yes	A	SC
10	A061L567	Exciter Stator 75mm (C-G)	1	Yes	A	SC
10	A063V195	Exciter Stator 125mm (K)	1	Yes	A	SC
11	QMSN	Main Stator Frame Assembly	1	-	-	-
12	366-21200	NDE Bottom Cover (Marine - Louvered)	1	-	-	-
12	366-21300	NDE Bottom Cover (Air Filter)	1	-	-	-
12	760-11274	NDE Bottom Cover	1	-	-	-
13	QMSN	Main Rotor Assy	1	-	-	-
14	760-1178	Exciter Rotor 100mm (H-J)	1	Yes	A	SC
14	760-1186	Exciter Rotor 75mm (C-G)	1	Yes	A	SC
14	A065U425	Exciter Rotor 125mm (K)	1	Yes	A	SC
15	760-11216	Rotating Rectifier Assembly	1	Yes	B	SC
16	RSK-6001	Diode Forward/Reverse And Varistor Kit	1	Yes	A	SC
17	QMSN	Main Terminal Board	1	-	-	-
18	760-11185	Terminal Box End Panel DE-Standard	1	-	-	-
18	760-11268	Terminal Box End Panel NDE-High Box	1	-	-	-
18	760-11594	Terminal Box End Panel NDE-Standard With Air Filter	1	-	-	-

Item	Part No.	Description	Qty.	Recommended Service Part	RSL Class	RSL Type
18	760-11594	Terminal Box End Panel NDE-Standard With Air Filter Marine	1	-	-	-
18	A041B941	Terminal Box End Panel NDE High With Air Filter	1	-	-	-
18	A041B941	Terminal Box End Panel NDE High With Air Filter Marine	1	-	-	-
18	A062Z045	Terminal Box End Panel NDE-Extra-High Box 500mm	1	-	-	-
19	760-11185	Terminal Box End Panel DE-Standard	1	-	-	-
19	760-11185	Terminal Box End Panel DE-Standard With Air Filter Marine	1	-	-	-
19	760-11185	Terminal Box End Panel DE-Standard With Air Filter Marine	1	-	-	-
19	760-11268	Terminal Box End Panel DE-High Box	1	-	-	-
19	760-11268	Terminal Box End Panel DE-High With Air Filter Marine	1	-	-	-
19	760-11268	Terminal Box End Panel DE-High With Air Filter	1	-	-	-
19	A062Z045	Terminal Box End Panel DE-Extra-High Box 500mm	1	-	-	-
20	760-11186	Terminal Box Side Panel-Standard	2	-	-	-
20	760-11186	Terminal Box Side Panel-Standard With Air Filter	2	-	-	-
20	760-11186	Terminal Box Side Panel-Standard With Air Filter Marine	2	-	-	-
20	760-11269	Terminal Box Side Panel-High Box	2	-	-	-
20	760-11269	Terminal Box Side Panel-High With Air Filter	2	-	-	-
20	760-11269	Terminal Box Side Panel-High With Air Filter Marine	2	-	-	-
20	A062Z046	Terminal Box Side Panel-Extra High Box 500mm	2	-	-	-
21	760-10663	Terminal Box Lid Standard/High/Air Filter And Marine	1	-	-	-
22	450-15254	AVR Cover Plate (Access)	1	-	-	-
22	450-16417	AVR Cover Plate (Access) (Eu Machine Dir.)	1	-	-	-
22a	450-16413	AVR Plastic Cover (Eu Machine Dir.)	1	-	-	-
23	45-0742	AVR Mounting Bracket	1	-	-	-
24	A060B914	AVR DECS150	1	Yes	A	SC

Item	Part No.	Description	Qty.	Recommended Service Part	RSL Class	RSL Type
24	A062Y338	AVR MX323	1	Yes	A	SC
24	E000-23408/1P	AVR MX341 UL	1	Yes	A	SC
24	E000-23412/1P	AVR MX341	1	Yes	A	SC
24	E000-23800	AVR DM110	1	Yes	A	SC
25	450-15489	Auxiliary Terminal Board	1	-	-	-
26	45-0324	Heater Kit 110-125v	1	-	-	-
26	45-0325	Heater Kit 220-260v	1	-	-	-
26	45-1047	Heater Kit 110-125v	1	-	-	-
26	45-1048	Heater Kit 220-260v	1	-	-	-
26	A040G626	Heater Kit 220-260v To Include Term Box For Retro	1	-	-	-
26	A051Y955	Heater Kit 110-125v To Include Term Box For Retro	1	-	-	-
26	A053M969	Heater Kit 110-125v UL Cert	1	-	-	-
26	A053M999	Heater Kit 110-125v (Four Heater Cartridges) UL Cert	1	-	-	-
26	A053N003	Heater Kit 220-260v UL Cert	1	-	-	-
26	A053N109	Heater Kit 220-260v (Four Heater Cartridges) UL Cert	1	-	-	-
26	A053X258	Heater Kit 110-125v To Include Term Box For Retro UL Cert	1	-	-	-
26	A053X260	Heater Kit 220-260v To Include Term Box For Retro UL Cert	1	-	-	-
26	A053X401	Heater Kit 220-260v (Four Heater Cartridges) To Inc Term Box For Retro UL	1	-	-	-
26	A053X422	Heater Kit 110-125v (Four Heater Cartridges) To Inc Item Box For Retro UL	1	-	-	-
27	45-0024	Terminal Box For Heaters	1	-	-	-
40	760-10912	DE Bracket (G-H)	1	-	-	-
40	760-11160	DE Bracket (C-F)	1	-	-	-
40	A050V498	DE Bracket (J)	1	-	-	-
41	760-10930	DE Bracket Screen Bottom (C-H)	1	-	-	-
41	A051A780	DE Bracket Screen Bottom (J)	1	-	-	-
41	A060W457	DE Bracket Screen Top (Industrial) (J)	1	-	-	-
41	A060W997	DE Bracket Screen Top (Industrial) (C-H)	1	-	-	-
42	45-1053	Louvre Kit (C-H)	1	-	-	-

Item	Part No.	Description	Qty.	Recommended Service Part	RSL Class	RSL Type
42	45-1054	Louvre Kit (J)	1	-	-	-
43	760-10829	DE Bearing Cartridge (C-F)	1	-	-	-
43	760-10923	DE Bearing Cartridge (G-K))	1	-	-	-
44	45-0335	DE Regrease Bearing Kit (C-F)	1	Yes	B	M
44	45-0425	DE Regrease Bearing Kit (G-K)	1	Yes	B	M
44	45-1077	NDE And DE Regrease Bearing. Kit Complete (C-F)	1	-	-	-
44	45-1078	NDE And DE Regrease Bearing Kit Complete (G-J)	1	-	-	-
44	45-1154	D.E Regrease Bearing Kit With Caps And Cartridges (C- F)	1	-	-	-
44	45-1155	DE Regrease Bearing Kit With Caps And Cartridges (G-K)	1	-	-	-
44	A074U997	NDE And DE Regrease Bearing Kit Complete (K)	1	-	-	-
45	760-10831	DE Bearing Cap (C-F)	1	-	-	-
45	760-10924	DE Bearing Cap (G-K)	1	-	-	-
46	45-0715	2 Bearing Adaptor Kit SAE 00 (C-F)	1	-	-	-
46	45-0716	2 Bearing Adaptor Kit SAE 0 (C-F)	1	-	-	-
46	45-1038	2 Bearing Adaptor Kit SAE 00 (G-H)	1	-	-	-
46	A046C895	2 Bearing Adaptor Kit SAE 0 (J)	1	-	-	-
46	A051Y983	2 Bearing Adaptor Kit SAE 0 (G-H)	1	-	-	-
46	A054Y386	2 Bearing Adaptor Kit SAE 00 (J)	1	-	-	-
52	450-41650	Isolation Transformer 2 To 1 (600 To 240v)	1	-	-	-
52	450-41750	Isolation Transformer 3 to 1 (720 to 240v)	1	-	-	-
52	450-42150	Isolation transformer 2 to 1 (480 to 240V)	1	-	-	-
52	A040L270	Isolation Transformer 2 To 1 (480 To 240 V) (UL Cert)	1	-	-	-
52	A040N063	Isolation Transformer 2.5 To 1 (600 To 240v) (UL Cert)	1	-	-	-
52	A049N972	Isolation Transformer 3 To 1 (720 To 240v) (UL Cert)	1	-	-	-
Not Shown	45-0281	Kluber Grease 400g	1	Yes	B	M

-

This page is intentionally blank.

35 S7 WLV Two Bearing Alternator

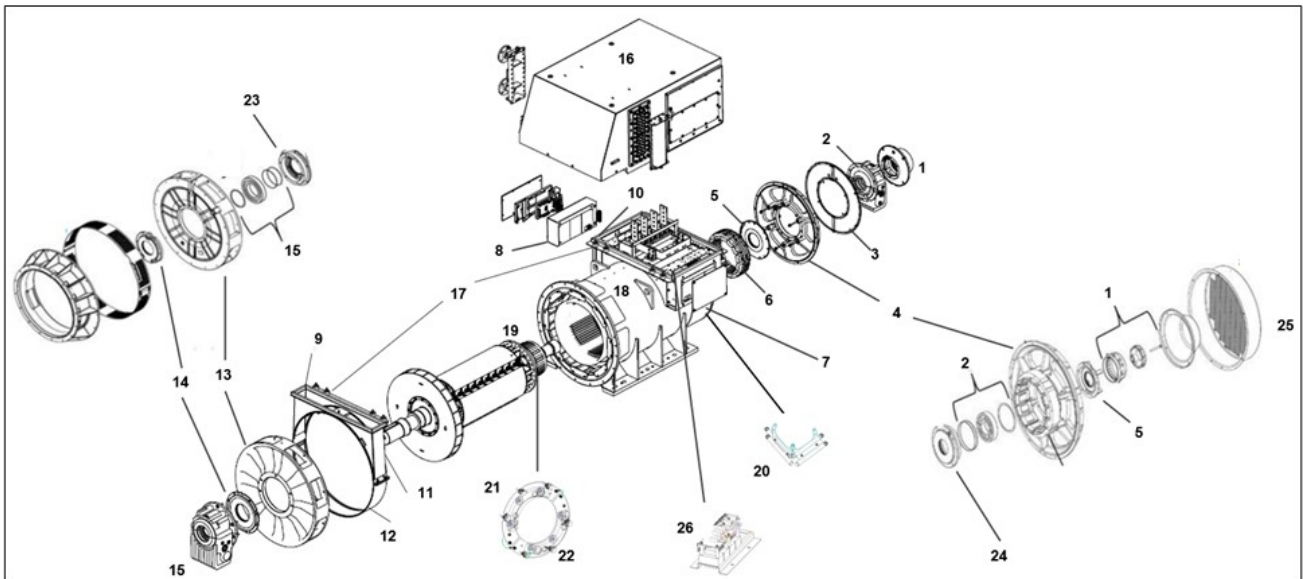


FIGURE 34. S7 WLV TWO BEARING ALTERNATOR PARTS DRAWING

TABLE 35. S7 WLV TWO BEARING ALTERNATOR PARTS LIST

Item	Part No.	Description	Qty.	Recommended Service Part	RSL Class	RSL Type
1	45-1082	PMG Rotor/Stator Repair Kit	1	Yes	B	SC
1	760-10562	PMG Cover End	1	-	-	-
1	A065W008	PMG Stator Mount (Non-Drive End Sleeve Bearing Face)	1	-	-	-
1	A067R585	Complete PMG Repair Kit-Sleeve Bearing Frame	1	-	-	-
2	45-0336	NDE Regrease Bearing Kit	1	Yes	B	M
2	45-1153	NDE Regrease Bearing Kit With Caps And Cartridges	1	-	-	-
2	A065X336	Sleeve Bearing Non-Drive End (D, E, F, J)	1	-	-	-
2	A067T912	NDE Sleeve Bearing Drain Plug	1	Yes	C	M
2	A067T920	NDE Sleeve Bearing Shell	1	Yes	B	M
2	A067T927	NDE Sleeve Bearing Labyrinth Seal	1	Yes	B	M
2	A067T942	NDE Sleeve Bearing Oil Ring	1	Yes	B	M
2	A072J784	NDE Sleeve Bearing Top Oil Sight Glass G1	1	Yes	C	M
2	A072J788	NDE Sleeve Bearing Oil Sight Glass G1 1/4	1	Yes	C	M
3	A065L739	End Cover (D, E, F, J)	1	-	-	-
4	760-10819	NDE Bracket (C-H)	1	-	-	-

Item	Part No.	Description	Qty.	Recommended Service Part	RSL Class	RSL Type
4	760-11205	NDE Bracket (J)	1	-	-	-
4	A065H305	Sleeve Bearing NDE Bracket	1	-	-	-
5	760-10823	NDE Rolling Element Bearing Cap	1	-	-	-
5	760-11026	NDE Rolling Element Bearing Cap With Hardened Cartridge	1	-	-	-
5	A065K478	NDE Sleeve Bearing Cap	1	-	-	-
6	366-15300	Exciter Stator (J)	1	Yes	A	SC
6	A061L567	Exciter Stator 75mm (C-G)	1	Yes	A	SC
6	A061Y737	Taped VPI Exciter Stator (J)	1	Yes	A	SC
6	A061Y735	Taped VPI Exciter Stator (C-G)	1	Yes	A	SC
7	366-21300	NDE Bottom Cover (Air Filter) (D,E,F,J)	1	-	-	-
8	A060B914	AVR DECS150	1	Yes	A	SC
8	A062Y338	AVR MX322	1	Yes	A	SC
8	E000-23800	AVR DM110	1	Yes	A	SC
9	A066C517	Heat Exchanger Gasket Seal	1	Yes	B	M
10	A066C518	Heat Exchanger Gasket Seal	1	Yes	B	M
11	A065H096	DE Adaptor Top Cover Air Duct (J)	1	-	-	-
11	A065Y020	DE Adaptor Top Cover Air Duct (D, E, F)	1	-	-	-
12	A065H090	DE Adaptor Bottom Cover (D, E, F, J)	1	-	-	-
13	760-10912	Rolling Element Bearing DE Bracket (G-H)	1	-	-	-
13	760-11160	Rolling Element Bearing DE Bracket (C-F)	1	-	-	-
13	A050V498	Rolling Element Bearing DE Bracket (J)	1	-	-	-
13	A065G884	Sleeve Bearing Drive End Bracket (J)	1	-	-	-
13	A065L159	Sleeve Bearing Drive End Bracket (D, E, F)	1	-	-	-
14	760-10831	DE Bearing Cap (Rolling Element Bearing) (C-F)	1	-	-	-
14	760-10924	DE Bearing Cap-Rolling Element Bearing (G-J)	1	-	-	-
14	A065K301	DE Sleeve Bearing Cap	1	-	-	-
15	45-0335	DE Regrease Bearing Kit	1	Yes	B	M
15	45-0425	DE Regrease Bearing Kit (G-J)	1	Yes	B	M

Item	Part No.	Description	Qty.	Recommended Service Part	RSL Class	RSL Type
15	45-1077	NDE And DE Regrease Bearing. Kit Complete (C-F)	1	-	-	-
15	45-1078	NDE And DE Regrease Bearing Kit Complete (G-J)	1	-	-	-
15	45-1154	DE Regrease Bearing Kit With Caps And Cartridges (C-F)	1	-	-	-
15	45-1155	DE Regrease Bearing Kit With Caps And Cartridges (G-J)	1	-	-	-
15	A065K516	DE Sleeve Bearing	1	-	-	-
15	A067T658	DE Bearing Shell	1	Yes	B	M
15	A067T867	DE Labyrinth Seal	1	Yes	B	M
15	A067T907	DE Oil Ring	1	Yes	B	M
15	A067T912	DE Drain Plug	1	Yes	C	M
15	A072J786	DE Oil Sight Glass G1 1/2-Sk 33 L	1	Yes	C	M
15	A072J787	DE Top Oil Sight Glass G1 1/2	1	Yes	C	M
16	A065R295	Heat Exchanger Right Hand (J)	1	-	-	-
16	A065X999	Heat Exchanger Left Hand (J)	1	-	-	-
16	A065X999	Heat Exchanger Left Hand-(D, E, F)	1	-	-	-
16	A065Y000	Heat Exchanger Right Hand (D, E, F)	1	-	-	-
17	A065X995	Anti-Vibration Mount	8	Yes	B	M
18	QMSN	Main Stator Frame Assembly	1	-	-	-
19	760-1178	Exciter Rotor 100mm (J)	1	Yes	A	SC
19	760-1186	Exciter Rotor 75mm (D-F)	1	Yes	A	SC
19	A065U425	Exciter Rotor 125mm 4P (K) and 6P (J)	1	Yes	A	SC
20	45-0024	Terminal Box For Heaters	1	-	-	-
20	A053M969	Heater 110-125v UL Cert	1	-	-	-
20	A053M999	Heater Kit 110-125v (Four Heater Cartridges) UL Cert	1	-	-	-
20	A053N003	Heater 220-260v UL Cert	1	-	-	-
20	A053N109	Heater Kit 220-260v (Four Heater Cartridges) UL Cert	1	-	-	-
20	A053X258	Heater Kit 110-125v To Include Term Box For Retro UL Cert	1	-	-	-
20	A053X260	Heater Kit 220-260v To Include Term Box For Retro UL Cert	1	-	-	-
20	A053X401	Heater Kit 220-260v (Four Heater Cartridges) To Inc Term Box For Retro UL	1	-	-	-

Item	Part No.	Description	Qty.	Recommended Service Part	RSL Class	RSL Type
20	A053X422	Heater Kit 110-125v (Four Heater Cartridges) To Inc Item Box For Retro UL	1	-	-	-
21	760-11216	Rotating Rectifier Assembly	1	Yes	B	SC
22	RSK-6001	Diode Forward/Reverse And Varistor Kit	1	Yes	A	SC
23	760-10829	DE Bearing Cartridge (C-F)	1	-	-	-
23	760-10923	DE Bearing Cartridge (G-J)	1	-	-	-
24	760-10821	NDE Bearing Cartridge	1	-	-	-
24	760-11016	NDE Bearing Cartridge (Hardened)	1	-	-	-
25	760-10965	NDE Air Inlet Cover (J) Marine	1	-	-	-
25	760-11005	NDE Air Inlet Cover (J) (Circular)	1	-	-	-
25	760-11279	NDE Air Inlet Cover (J)	1	-	-	-
26	450-41650	Isolation Transformer 2 To 1 (600 To 240v)	1	-	-	-
26	450-41750	Isolation Transformer 2 To 1 (720 To 240v)	1	-	-	-
26	450-42150	Isolation Transformer 2 To 1 (480 To 240 V)	1	-	-	-
26	A040L270	Isolation Transformer 2 To 1 (480 To 240 V) (UL Cert)	1	-	-	-
26	A040N063	Isolation Transformer 2 To 1 (600 To 240 V) (UL Cert)	1	-	-	-
26	A049N972	Isolation Transformer 2 To 1 (720 To 240 V) (UL Cert)	1	-	-	-
Not Shown	45-0281	Kluber Grease 400g	1	Yes	B	M

36 S7 HV One Bearing Alternator

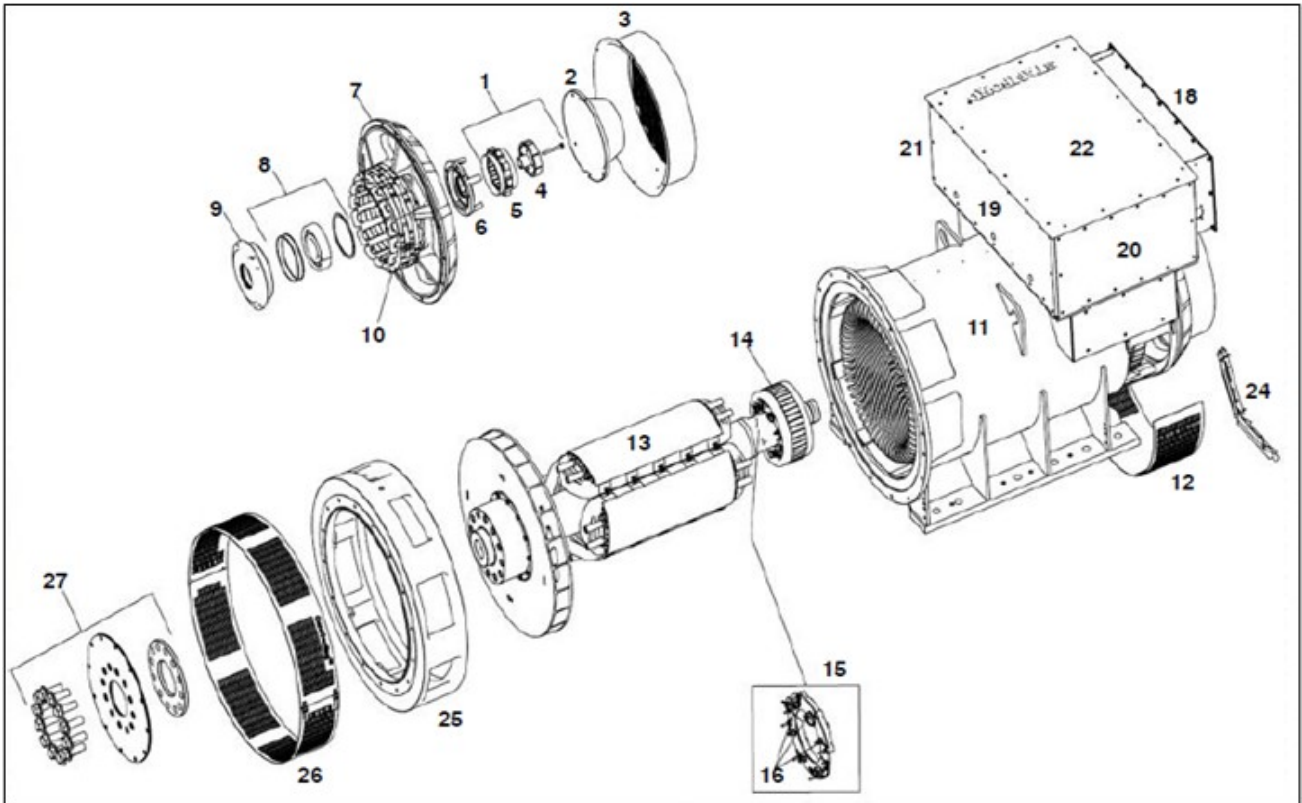


FIGURE 35. S7 HV ONE BEARING ALTERNATOR PARTS DRAWING

TABLE 36. S7 HV ONE BEARING ALTERNATOR PARTS LIST

Item	Part No.	Description	Qty.	Recommended Service Part	RSL Class	RSL Type
1	45-0119A	Complete PMG Upfit Kit	1	-	-	-
2	760-10562	PMG Cover (Cover Included In Above Kit)	1	-	-	-
3	A051X538	NDE Air Inlet Cover	1	-	-	-
4	45-1082	PMG Rotor/Stator Repair Kit	1	Yes	B	SC
5	45-1082	PMG Rotor/Stator Repair Kit	1	Yes	B	SC
6	760-10823	NDE Bearing Cap	1	-	-	-
7	A063E233	NDE Bracket	1	-	-	-
8	45-0337	NDE Regrease Bearing Kit	1	Yes	B	M
8	45-0418	NDE Sealed Bearing Kit	1	Yes	B	M
9	760-10821	NDE Bearing Cartridge	1	-	-	-
10	A057B918	Exciter Stator 75mm	1	Yes	A	SC
11	QMSN	Main Stator Frame Assembly	1	-	-	-
12	760-11274	NDE Bottom Cover	1	-	-	-
13	QMSN	Main Rotor Assembly	1	-	-	-

Item	Part No.	Description	Qty.	Recommended Service Part	RSL Class	RSL Type
14	A063D254	Exciter Rotor	1	-	-	-
15	760-11216	Rotating Rectifier Assembly	1	Yes	B	SC
16	RSK-6001	Diode Forward/Reverse And Varistor Kit	1	Yes	A	SC
17	A063C067	Terminal Box Bracket (Not Shown)	1	-	-	-
18	A063C059	Terminal Box End Panel NDE	1	-	-	-
19	A063C065	Terminal Box End Panel De	1	-	-	-
20	A063C064	Terminal Box Side Panel	1	-	-	-
21	A063C069	Terminal Box Side Panel (Cable Entry Side)	1	-	-	-
22	A063C066	Terminal Box Lid	1	-	-	-
23	A054S072	AVR DECS101	1	Yes	A	SC
24	A064T022	Heater Kit 110-125v	1	-	-	-
24	A064T028	Heater Kit 220-260v	1	-	-	-
25	A062G795	DE Adaptor Kit (SAE 0)	1	-	-	-
25	A062G809	DE Adaptor Kit (SAE 00)	1	-	-	-
26	SEE NO. 25	DE Screen (Included In Adaptor Kits)	1	-	-	-
27	45-0792	Coupling Kit SAE 18 (Standard)	1	-	-	-
27	45-0793	Coupling Kit SAE 21	1	-	-	-
27	A061X995	Coupling Kit SAE 18 (J)	1	-	-	-
27	A061X997	Coupling Kit SAE 21 (J)	1	-	-	-

37 S7 HV Two Bearing Alternator

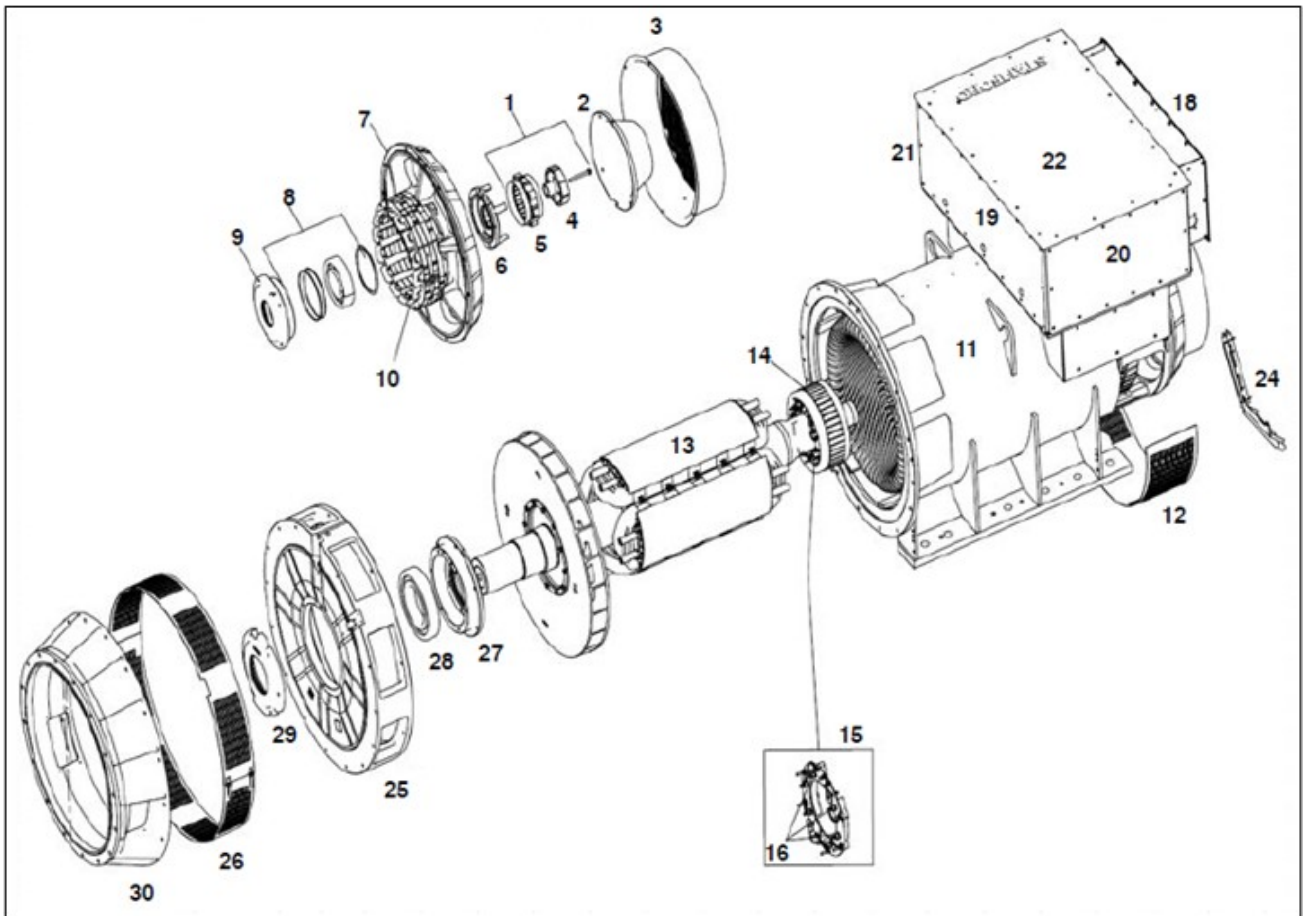


FIGURE 36. S7 HV TWO BEARING ALTERNATOR PARTS DRAWING

TABLE 37. S7 HV TWO BEARING ALTERNATOR PARTS LIST

Item	Part No.	Description	Qty.	Recommended Service Part	RSL Class	RSL Type
1	45-0119A	Complete PMG Upfit Kit	1	-	-	-
2	760-10562	PMG Cover (Cover Included In Above Kit)	1	-	-	-
3	A051X538	NDE Air Inlet Cover	1	-	-	-
4	45-1082	PMG Rotor/Stator Repair Kit	1	Yes	B	SC
5	45-1082	PMG Rotor/Stator Repair Kit	1	Yes	B	SC
6	760-10823	NDE Bearing Cap	1	-	-	-
7	A063E233	NDE Bracket	1	-	-	-
8	45-0338	NDE Regrease Bearing Kit	1	Yes	B	M
9	760-10821	NDE Bearing Cartridge	1	-	-	-
10	A057B918	Exciter Stator 75mm	1	Yes	A	SC
11	QMSN	Main Stator Frame Assembly	1	-	-	-

Item	Part No.	Description	Qty.	Recommended Service Part	RSL Class	RSL Type
12	760-11274	NDE Bottom Cover	1	-	-	-
13	QMSN	Main Rotor Assembly	1	-	-	-
14	A063D254	Exciter Rotor	1	-	-	-
15	760-11216	Rotating Rectifier Assembly	1	Yes	B	SC
16	RSK-6001	Diode Forward/Reverse And Varistor Kit	1	Yes	A	SC
17	A063C067	Terminal Box Bracket (Not Shown)	1	-	-	-
18	A063C059	Terminal Box End Panel NDE	1	-	-	-
19	A063C065	Terminal Box End Panel De	1	-	-	-
20	A063C064	Terminal Box Side Panel	1	-	-	-
21	A063C069	Terminal Box Side Panel (Cable Entry Side)	1	-	-	-
22	A063C066	Terminal Box Lid	1	-	-	-
23	A054S072	AVR DECS102	1	Yes	A	SC
24	A064T022	Heater Kit 110-125v	1	-	-	-
24	A064T028	Heater Kit 220-260v	1	-	-	-
25	A050V498	DE Bracket	1	-	-	-
26	A051A780	DE Bracket Screen Bottom	1	-	-	-
26	A060W457	DE Bracket Screen Top	1	-	-	-
27	760-10923	DE Bearing Cartridge	1	-	-	-
28	45-0425	DE Regrease Bearing Kit	1	Yes	B	M
28	45-1078	NDE And DE Regrease Bearing Kit Complete	1	-	-	-
29	760-10924	DE Bearing Cap	1	-	-	-
30	A046C895	2 Bearing Adaptor Kit SAE 0	1	-	-	-
30	A062B516	2 Bearing Adaptor Kit SAE 00	1	-	-	-

38 P80 One Bearing Alternator

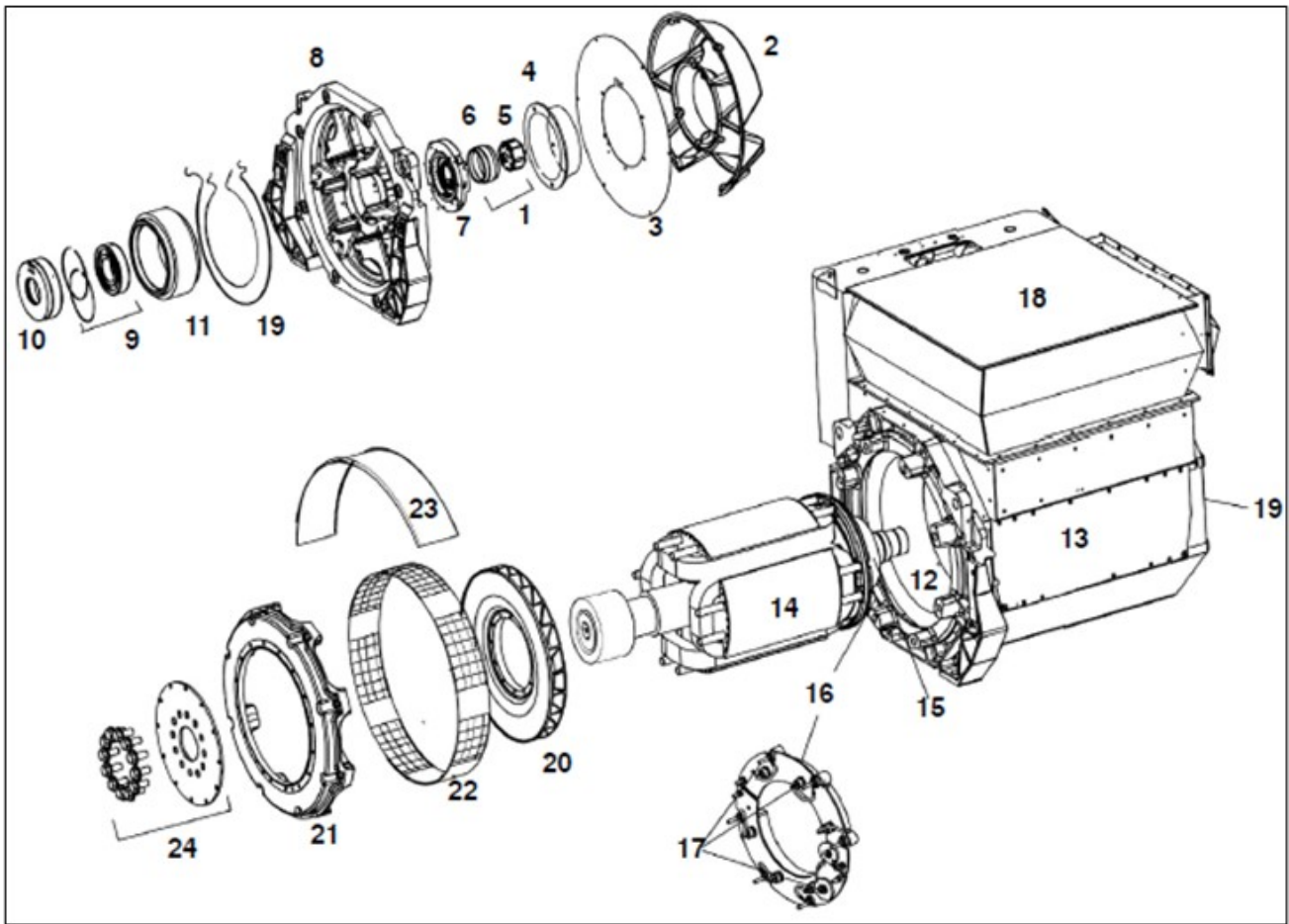


FIGURE 37. P80 ONE BEARING PARTS DRAWING

TABLE 38. P80 ONE BEARING PARTS LIST

Item	Part No.	Description	Qty.	Recommended Service Part	RSL Class	RSL Type
1	45-1082	PMG Rotor/Stator Repair Kit	1	Yes	B	SC
2	800-30843	NDE Air Inlet Cover	1	-	-	-
3	800-30060	NDE Air Inlet Screen	1	-	-	-
4	450-14360	PMG Cover (Metal)	1	-	-	-
5	SEE ITEM. 1	Current PMG Rotor/Stator Repair Kit	1	-	-	-
6	SEE ITEM. 1	Current PMG Rotor/Stator Repair Kit	1	-	-	-
7	800-30017	NDE Bearing Cap	1	-	-	-
8	800-30020	NDE Endbracket	1	-	-	-
9	45-1118	NDE Bearing Kit With Cap And Cartridge	1	Yes	B	M
9	45-0407	NDE Bearing Kit	1	-	-	-

Item	Part No.	Description	Qty.	Recommended Service Part	RSL Class	RSL Type
10	800-30015	NDE Bearing Cartridge	1	-	-	-
11	800-1055	Exciter Stator (R-T)	1	-	-	-
11	800-1056	Exciter Stator (W-Y)	1	-	-	-
12	QMSN	Main Stator Frame Assembly	1	-	-	-
13	QMSN	Main Stator Panel Work	1	-	-	-
14	QMSN	Main Rotor Assembly	1	-	-	-
15	800-1048	Exciter Rotor (R-T)	1	-	-	-
15	800-1049	Exciter Rotor (W-Y)	1	-	-	-
16	810-1015	Rectifier Assembly	1	-	-	-
17	RSK-6001	Diode Forward/Reverse And Varistor Kit	1	Yes	A	SC
18	QMSN	Complete Terminal Box Assembly	1	-	-	-
19	45-1029	Heater Kit	1	-	-	-
20	800-30014	Fan (Anti-Clockwise)	1	-	-	-
20	800-30049	Fan (Clockwise)	1	-	-	-
21	45-1139	Adaptor SAE 0	1	-	-	-
21	45-1140	Adaptor SAE 00	1	-	-	-
21	45-1141	Adaptor Special R-T MHI	1	-	-	-
22	SEE ITEM 30	NDE Adaptor Screen (Included In Adaptor Kit)	2	-	-	-
23	800-30186	Drip Proof Cover	1	-	-	-
24	45-1144	Coupling Kit SAE 18	1	-	-	-
24	45-1145	Coupling Kit SAE 21	1	-	-	-
24	45-1146	Coupling Kit SAE 24	1	-	-	-
25	A060B914	AVR DECS150	1	Yes	A	SC
25	A044W725	Unitrol 1010 Light	1	-	-	-
25	A044W728	Unitrol 1010 Basic	1	-	-	-
Not Shown	E000-13300	AVR MA330	1	Yes	A	SC
Not Shown	E000-23800	AVR DM110	1	Yes	A	SC

39 P80 Two Bearing Alternator

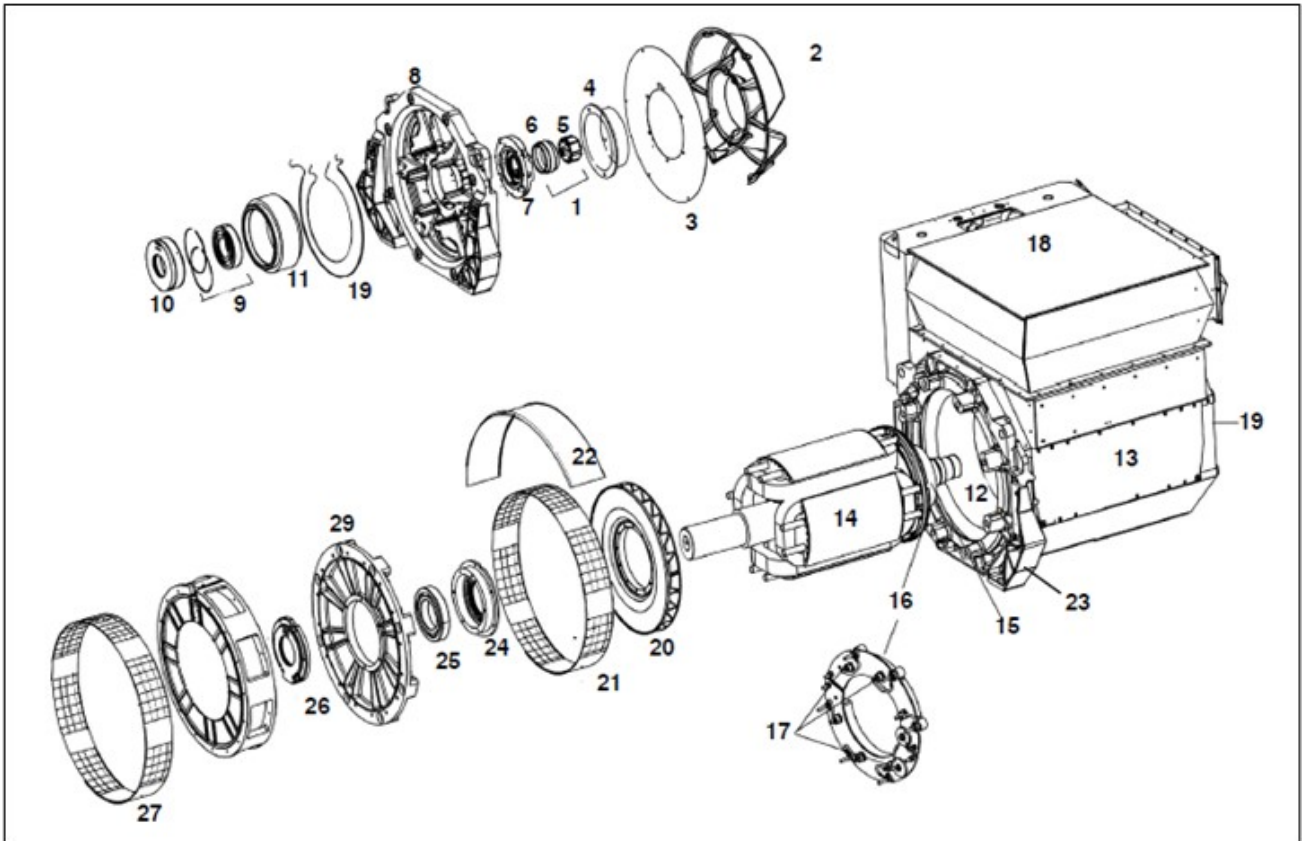


FIGURE 38. P80 TWO BEARING ALTERNATOR PARTS DRAWING

Item	Part No.	Description	Qty.	Recommended Service Part	RSL Class	RSL Type
1	45-1082	PMG Rotor/Stator Repair Kit	1	Yes	B	SC
2	800-30843	NDE Air Inlet Cover	1	-	-	-
3	800-30060	NDE Air Inlet Screen	1	-	-	-
4	450-14360	PMG Cover (Metal)	1	-	-	-
5	SEE NO. 1	Current PMG Rotor/Stator Repair Kit	1	-	-	-
6	SEE NO. 1	Current PMG Rotor/Stator Repair Kit	1	-	-	-
7	800-30017	NDE Bearing Cap	1	-	-	-
8	800-30020	NDE Endbracket	1	-	-	-
9	45-1118	NDE Bearing Kit With Cap And Cartridge	1	Yes	B	M
9	45-0407	NDE Bearing Kit	1	-	-	-
10	800-30015	NDE Bearing Cartridge	1	-	-	-
11	800-1055	Exciter Stator (R-T)	1	-	-	-

Item	Part No.	Description	Qty.	Recommended Service Part	RSL Class	RSL Type
11	800-1056	Exciter Stator (W-Y)	1	-	-	-
12	QMSN	Main Stator Frame Assembly	1	-	-	-
13	QMSN	Main Stator Panel Work	1	-	-	-
14	QMSN	Main Rotor Assembly	1	-	-	-
15	800-1048	Exciter Rotor (R-T)	1	-	-	-
15	800-1049	Exciter Rotor (W-Y)	1	-	-	-
16	810-1015	Rectifier Assembly	1	-	-	-
17	RSK-6001	Diode Forward/Reverse And Varistor Kit	1	Yes	A	SC
18	QMSN	Complete Terminal Box Assembly	1	-	-	-
19	45-1029	Heater Kit	1	-	-	-
20	800-30014	Fan (Anti-Clockwise)	1	-	-	-
20	800-30049	Fan (Clockwise)	1	-	-	-
21	800-30187	DE Bracket Screen	2	-	-	-
22	800-30186	Drip Proof Cover	1	-	-	-
23	800-30022	DE Bracket (R-T)	1	-	-	-
23	800-30165	DE Bracket (W-Y)	1	-	-	-
24	800-10475	DE Bearing Cartridge (R-T)	1	-	-	-
24	820-10137	DE Bearing Cartridge (W-Y)	1	-	-	-
25	45-1151	Both NDE And DE (R, S, T)	1	Yes	B	M
25	45-1152	Both NDE And DE (W, X, Y)	1	Yes	B	M
25	45-0408	DE Bearing Kit (R-T)	1	-	-	-
25	45-0409	DE Bearing Kit (W-Y)	1	-	-	-
25	45-1119	DE Bearing Kit With Caps And Cartridges (R, S, T)	1	-	-	-
25	45-1120	DE Bearing Kit With Caps And Cartridges (W, X, Y)	1	-	-	-
26	800-10477	DE Bearing Cartridge (R-T)	1	-	-	-
26	820-10138	DE Bearing Cap (W-Y)	1	-	-	-
27	45-1135	Adaptor Kit SAE 00 R -T (32 Hole)	1	-	-	-
27	45-1136	Adaptor Kit SAE 0 W-Y	1	-	-	-
27	45-1137	Adaptor Kit SAE 00 W-Y	1	-	-	-
27	45-1138	Adaptor Kit SAE 00 W-Y (32 Hole)	1	-	-	-
27	45-1142	Adaptor Kit SAE 0 R-T	1	-	-	-
28	SEE ITEM 27	Adaptor Screen (Included In Adaptor Kit)	1	-	-	-
29	800-30046	F8 DE Bearing Carrier (R-T)	1	-	-	-

Item	Part No.	Description	Qty.	Recommended Service Part	RSL Class	RSL Type
29	800-30163	F8 DE Bearing Carrier (W-Y)	1	-	-	-
Not Shown	A060B914	AVR DECS150	1	Yes	A	SC
Not Shown	E000-13300	AVR MA330	1	Yes	A	SC
Not Shown	E000-23800	AVR DM110	1	Yes	A	SC
Not Shown	A044W725	Unitrol 1010 Light	1	-	-	-
Not Shown	A044W728	Unitrol 1010 Basic	1	-	-	-

-

This page is intentionally blank.

40 S9 LV One Bearing Alternator

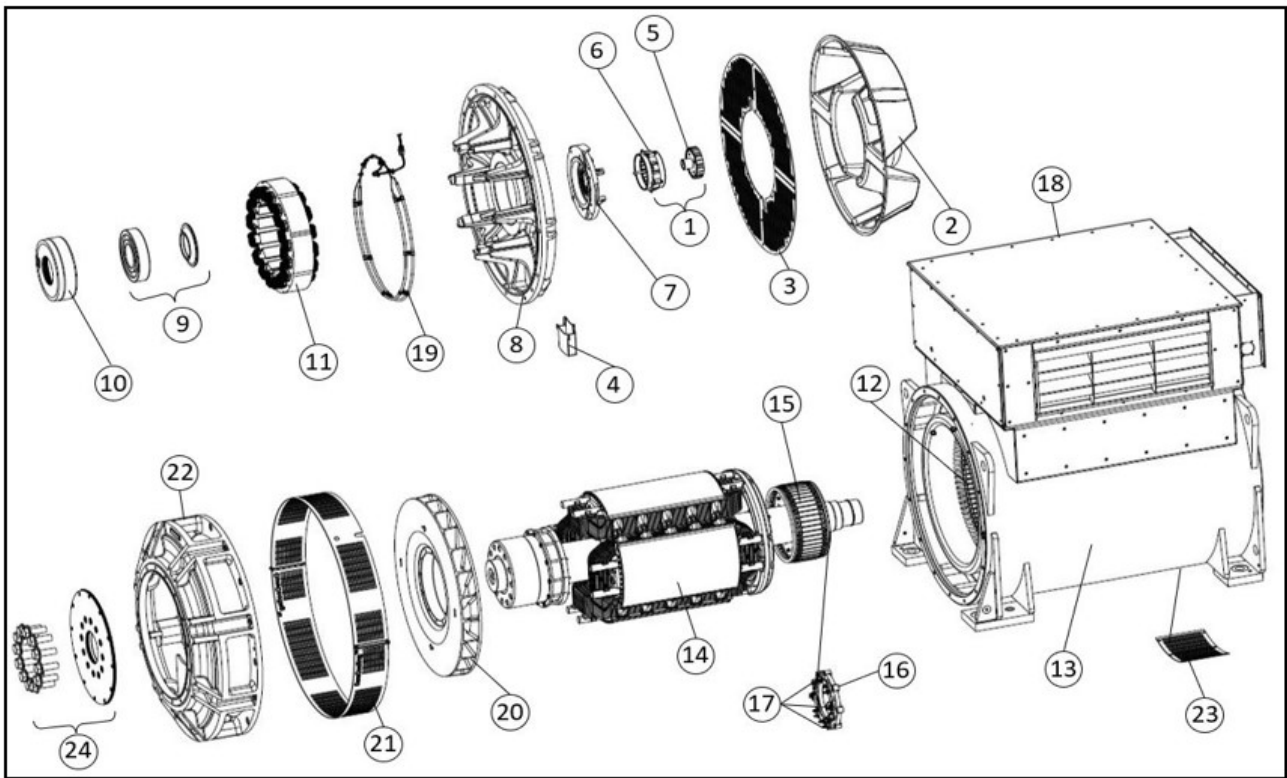


FIGURE 39. S9 LV ONE BEARING ALTERNATOR PARTS DRAWING

Item	Part No.	Description	Qty.	Recommended Service Part	RSL Class	RSL Type
1	45-1082	PMG Rotor/Stator Repair Kit	1	Yes	B	SC
2	A059V003	NDE Air Inlet Cover	1	-	-	-
3	A059U995	NDE Axial Air Inlet Screen	2	-	-	-
4	A061Y809	Grease Trap	1	-	-	-
5	SEE ITEM. 1	PMG Rotor	1	-	-	-
6	SEE ITEM. 1	PMG Stator	1	-	-	-
7	800-30017	NDE Bearing Cap (C-D)	1	-	-	-
8	A073B418	NDE End Bracket (C-D)	1	-	-	-
9	45-1118	NDE Bearing Kit With Cap And Cartridge	1	Yes	B	M
9	45-0407	NDE Bearing Kit	1	-	-	-
10	800-30015	NDE Bearing Cartridge	1	-	-	-
11	A065Z938	Exciter Stator 100mm Severe Environmental (C-D)	1	Yes	B	SC
11	A071Z705	Exciter Stator 100mm (C-D)	1	Yes	B	SC
12	QMSN	Main Stator	1	-	-	-

Item	Part No.	Description	Qty.	Recommended Service Part	RSL Class	RSL Type
13	QMSN	Main Stator Enclosure	1	-	-	-
14	QMSN	Main Rotor Assembly	1	-	-	-
15	A068C492	Exciter Rotor 100mm (C-D)	1	Yes	B	SC
16	A059Y591	Rectifier Assembly	1	Yes	A	SC
17	A063M677	Diode Forward/Reverse And Varistor Kit	1	Yes	A	SC
18	QMSN	Complete Terminal Box Assembly	1	-	-	-
19	A059S757	Heater Kit	1	Yes	C	R
20	A050A299	Fan (Clockwise) (C-D)	1	-	-	-
21	A059V001	DE Adaptor Screen Bottom	1	-	-	-
21	A061M219	DE Adaptor Screen Top	1	-	-	-
22	A059S530	DE Adaptor SAE 0 (C-D)	1	-	-	-
22	A061S200	DE Adaptor SAE 00 (C-D)	1	-	-	-
22	A064V440	DE Adaptor SAE 00 (C-D)	1	-	-	-
23	A059U997	NDE Radial Air Inlet Screen	1	-	-	-
24	A062D947	Coupling Kit SAE 18	1	-	-	-
24	A062D949	Coupling Kit SAE 21	1	-	-	-
Not Shown	070-58085	Bearing RTD NDE 1 or 2 (optional)	1	Yes	C	R
Not Shown	070-58085	Bearing RTD NDE 1 or 2 (optional)	1	Yes	C	R
Not Shown	070-58087	Bearing RTD DE 1 or 2 (optional)	1	Yes	C	R
Not Shown	45-0281	Kluber Grease 400g	1	Yes	B	M
Not Shown	A054S072	AVR DECS100	1	Yes	A	SC
Not Shown	A060B914	AVR DECS150	1	Yes	A	SC
Not Shown	CONTACT CGT	AVR Unitrol 1010	1	Yes	A	SC
Not Shown	E000-23800	AVR DM110	1	Yes	A	SC

41 S9 LV Two Bearing Alternator

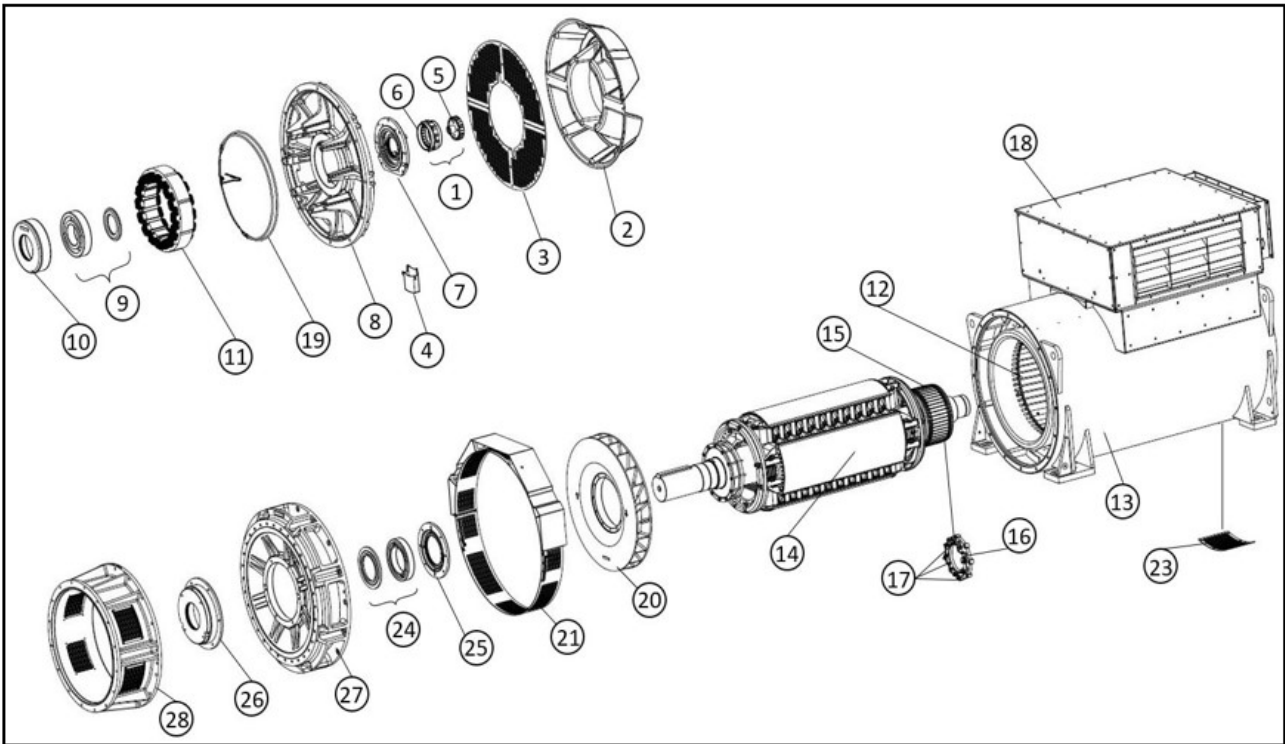


FIGURE 40. S9 LV TWO BEARING ALTERNATOR PARTS DRAWING

TABLE 39. S9 LV TWO BEARING ALTERNATOR PARTS LIST

Item	Part No.	Description	Qty.	Recommended Service Part	RSL Class	RSL Type
1	45-1082	PMG Rotor/Stator Repair Kit	1	Yes	B	SC
2	A059V003	NDE Air Inlet Cover	1	-	-	-
3	A059U995	NDE Axial Air Inlet Screen	2	-	-	-
4	A061Y809	Grease Trap	1	-	-	-
5	SEE ITEM. 1	Current PMG Rotor/Stator Repair Kit	1	-	-	-
6	SEE ITEM. 1	Current PMG Rotor/Stator Repair Kit	1	-	-	-
7	800-30017	NDE Bearing Cap (C-F)	1	-	-	-
7	A062F040	NDE Bearing Cap (G)	1	-	-	-
8	A073B418	NDE Endbracket 173kg (C-E)	1	-	-	-
8	A073B419	NDE Endbracket 167kg (G-H)	1	-	-	-
9	45-1118	NDE Bearing Kit With Cap And Cartridge (C-F)	1	Yes	B	M
9	A063M672	NDE Bearing Kit With Cap And Cartridge (G-H)	1	Yes	B	M
9	45-0407	NDE Bearing Kit (C-F)	1	-	-	-

Item	Part No.	Description	Qty.	Recommended Service Part	RSL Class	RSL Type
9	A063M661	NDE Bearing Kit (G)	1	-	-	-
10	800-30015	NDE Bearing Cartridge (C-F)	1	-	-	-
10	A062E911	NDE Bearing Cartridge (G)	1	-	-	-
11	A062A095	Exciter Stator (F-G)	1	Yes	B	SC
11	A064X961	Exciter Stator 130mm Severe Environmental (E-G)	1	Yes	B	SC
11	A065Z938	Exciter Stator 100mm Severe Environmental (C-D)	1	Yes	B	SC
11	A071Y571	Exciter Stator 130mm (E)	1	Yes	B	SC
11	A071Z705	Exciter Stator 100mm (C-D)	1	Yes	B	SC
12	QMSN	Main Stator	1	-	-	-
13	QMSN	Main Stator Enclosure	1	-	-	-
14	QMSN	Main Rotor Assembly	1	-	-	-
15	A059U784	Exciter Rotor 130mm (E-H)	1	Yes	B	SC
15	A064Y290	Exciter Rotor 130mm Severe Environmental (E-G)	1	Yes	B	SC
15	A065Z937	Exciter Rotor 100mm Severe Environmental (C-D)	1	Yes	B	SC
15	A066P131	Exciter Rotor (E)	1	Yes	B	SC
15	A068C492	Exciter Rotor 100mm (C-D)	1	Yes	B	SC
16	A059Y591	Rectifier Assembly	1	Yes	A	SC
17	A063M677	Diode Forward/Reverse And Varistor Kit	1	Yes	A	SC
18	QMSN	Complete Terminal Box Assembly	1	-	-	-
19	A059S757	Heater Kit	1	Yes	C	R
20	A050A299	Fan (Clockwise) (C-F)	1	-	-	-
20	A062F872	Fan (Clockwise) (G)	1	-	-	-
21	A059U999	DE Bracket Screen Top	1	-	-	-
21	A059V001	DE Bracket Screen Bottom	1	-	-	-
23	A059U997	NDE Radial Air Inlet Screen	1	-	-	-
24	800-10475	DE Bearing Cartridge Two Bearing (C-D)	1	-	-	-
24	820-10137	DE Bearing Cartridge (E-F)	1	-	-	-
24	A062B588	DE Bearing Cartridge Two Bearing (G)	1	-	-	-
25	45-1119	DE Bearing Kit With Caps And Cartridges (C-D)	1	Yes	B	M
25	45-1120	DE Bearing Kit With Caps And Cartridges (E-F)	1	Yes	B	M

Item	Part No.	Description	Qty.	Recommended Service Part	RSL Class	RSL Type
25	45-1151	NDE And DE Kit For (C-D)	1	Yes	B	M
25	45-1152	NDE And DE Kit For (E-F)	1	Yes	B	M
25	A063M671	DE Bearing Kit With Caps And Cartridges (G)	1	Yes	B	M
25	A063M674	NDE And DE Kit For (G)	1	Yes	B	M
25	45-0408	DE Bearing Kit (C-D)	1	-	-	-
25	45-0409	DE Bearing Kit (E-F)	1	-	-	-
25	A063M660	DE Bearing Kit (G)	1	-	-	-
26	800-10477	DE Bearing Cap (C-D)	1	-	-	-
26	820-10138	DE Bearing Cap (E-F)	1	-	-	-
26	A062E194	DE Bearing Outer Cap (G)	1	-	-	-
26	A062E231	DE Bearing Inner Cap (G)	1	-	-	-
27	A062F695	DE Bracket (G)	1	-	-	-
27	A073A776	DE Bracket (E-F)	1	-	-	-
27	A073B167	DE Bracket (C-D)	1	-	-	-
28	A062D571	DE Adaptor Kit SAE 00 (C-D)	1	-	-	-
28	A062D573	DE Adaptor Kit SAE 0 (C-D)	1	-	-	-
28	A062D581	DE Adaptor Kit SAE 00 (E-G)	1	-	-	-
28	A062N243	DE Adaptor Kit SAE 0 (E-F)	1	-	-	-
Not Shown	070-58087	Bearing RTD DE 1 or 2 (optional)	1	Yes	C	R
Not Shown	45-0281	Kluber Grease 400g	1	Yes	B	M
Not Shown	A054S072	AVR DECS100	1	Yes	A	SC
Not Shown	A060B914	AVR DECS150	1	Yes	A	SC
Not Shown	CONTACT CGT	AVR Unitrol 1010	1	Yes	A	SC
Not Shown	E000-23800	AVR DM110	1	Yes	A	SC

-

This page is intentionally blank.

42 S9 HV One Bearing Alternator

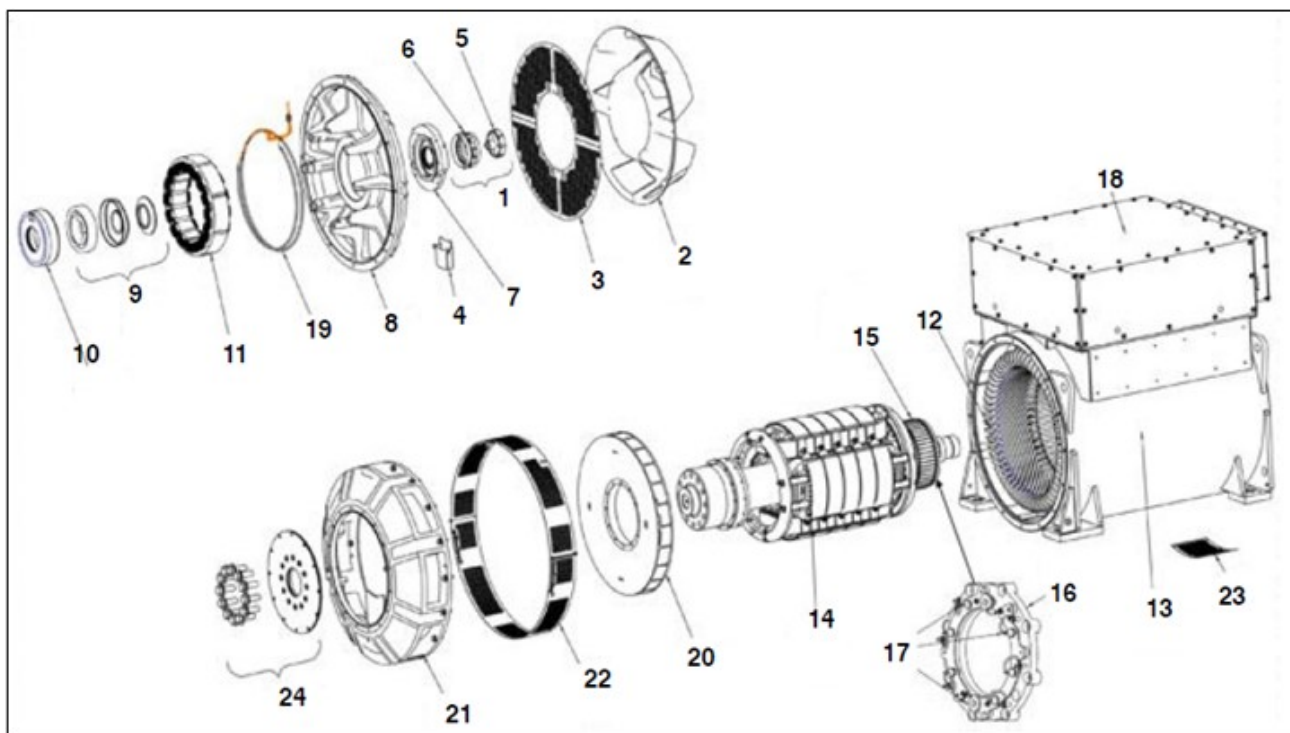


FIGURE 41. S9 HV ONE BEARING ALTERNATOR PARTS DRAWING

TABLE 40. S9 HV ONE BEARING ALTERNATOR PARTS LISTS

Item	Part No.	Description	Qty.	Recommended Service Part	RSL Class	RSL Type
1	45-1082	PMG Rotor/Stator Repair Kit	1	Yes	B	SC
2	A059V003	NDE Air Inlet Cover	1	-	-	-
3	A059U995	NDE Axial Air Inlet Screen	2	-	-	-
4	A061Y809	Grease Collector	1	-	-	-
5	SEE ITEM. 1	Current PMG Rotor/Stator Repair Kit	1	-	-	-
6	SEE ITEM. 1	Current PMG Rotor/Stator Repair Kit	1	-	-	-
7	800-30017	NDE Bearing Cap	1	-	-	-
8	A059U866	NDE Endbracket	1	-	-	-
9	45-1118	NDE Bearing Kit With Cap And Cartridge	1	Yes	B	M
9	45-0407	NDE Bearing Kit	1	-	-	-
10	800-30015	NDE Bearing Cartridge	1	-	-	-
11	A062A093	Exciter Stator (A-D)	1	Yes	B	SC
11	A062A095	Exciter Stator (E)	1	Yes	B	SC
12	QMSN	Main Stator	1	-	-	-

Item	Part No.	Description	Qty.	Recommended Service Part	RSL Class	RSL Type
13	QMSN	Main Stator Enclosure	1	-	-	-
14	QMSN	Main Rotor Assembly	1	-	-	-
15	A059U784	Exciter Rotor (E)	1	Yes	B	SC
15	A061X633	Exciter Rotor 100mm (A-D)	1	Yes	B	SC
16	A059Y591	Rectifier Assembly	1	Yes	A	SC
17	A063M677	Diode Forward/Reverse And Varistor Kit	1	Yes	A	SC
18	QMSN	Complete Terminal Box Assembly	1	-	-	-
19	A059S757	Heater Kit	1	Yes	C	R
20	800-30049	Fan (Clockwise) (A-B)	1	-	-	-
20	A050A299	Fan (Clockwise) (C-D)	1	-	-	-
21	A064V438	Adaptor SAE 0 (A-B)	1	-	-	-
21	A064V439	Adaptor SAE 00 A-B	1	-	-	-
21	A064V440	Adaptor SAE 00 (C-D)	1	-	-	-
21	A064V573	Adaptor SAE 0 (C-D)	1	-	-	-
22	A059V001	DE Adaptor Screen Bottom	1	-	-	-
22	A061M219	DE Adaptor Screen Top	1	-	-	-
23	A059U997	Radial Air Inlet Screen	1	-	-	-
24	A062D947	Coupling Kit SAE 18	1	-	-	-
24	A062D949	Coupling Kit SAE 21	1	-	-	-
Not Shown	45-0281	Kluber Grease 400g	1	Yes	B	M
Not Shown	A054S072	AVR DECS100	1	Yes	A	SC
Not Shown	A060B914	AVR DECS150	1	Yes	A	SC
Not Shown	A061D996	AVR DM810	1	Yes	A	SC
Not Shown	A062K080	AVR DVC310	1	Yes	A	SC
Not Shown	CONTACT CGT	AVR Unitrol 1010	1	Yes	A	SC
Not Shown	E000-23800	AVR DM110	1	Yes	A	SC

43 S9 HV Two Bearing Alternator

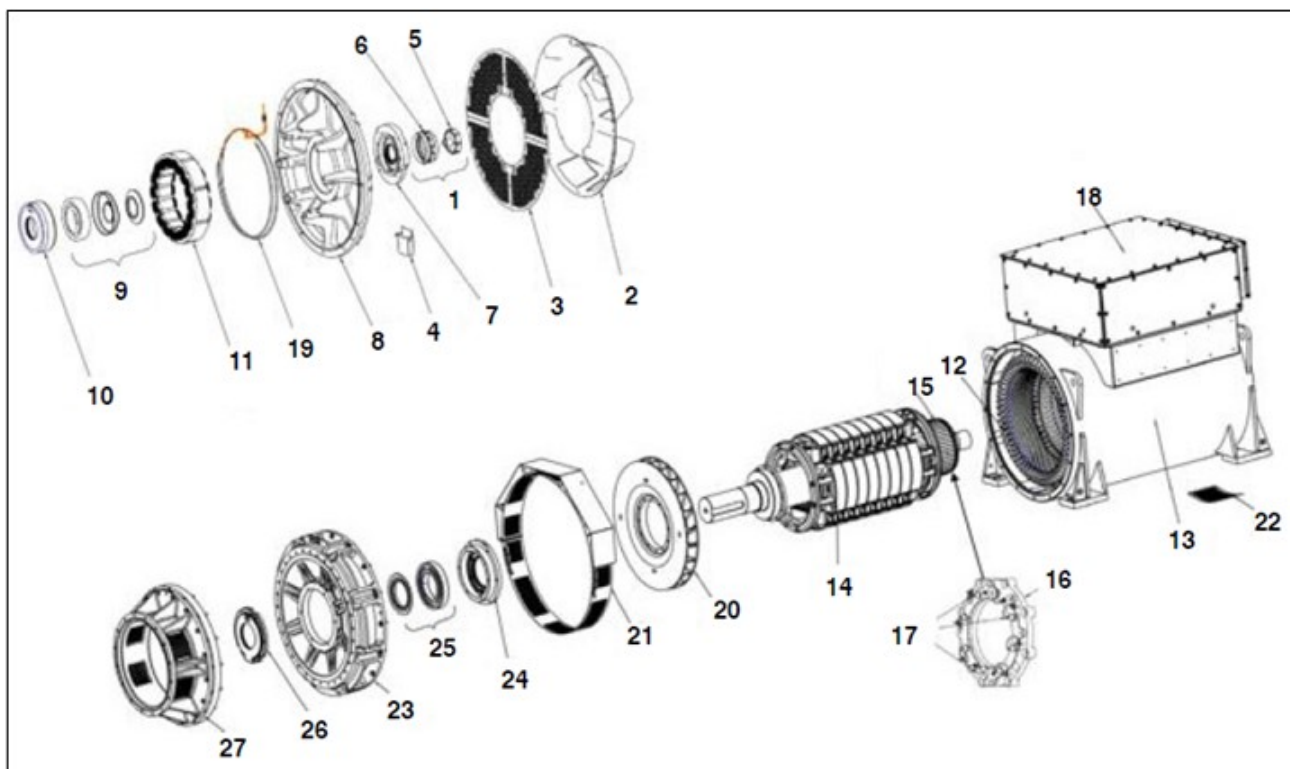


FIGURE 42. S9 HV TWO BEARING ALTERNATOR PARTS DRAWING

TABLE 41. S9 HV TWO BEARING ALTERNATOR PARTS LIST

Item	Part No.	Description	Qty.	Recommended Service Part	RSL Class	RSL Type
1	45-1082	PMG Rotor/Stator Repair Kit	1	Yes	B	SC
2	A059V003	NDE Air Inlet Cover	1	-	-	-
3	A059U995	NDE Axial Air Inlet Screen	2	-	-	-
4	A061Y809	Grease Collector	1	-	-	-
5	SEE NO. 1	Current PMG Rotor/Stator Repair Kit	1	-	-	-
6	SEE NO. 1	Current PMG Rotor/Stator Repair Kit	1	-	-	-
7	800-30017	NDE Bearing Cap (A-F)	1	-	-	-
7	A062F040	NDE Bearing Cap (G-H)	1	-	-	-
8	A059U866	NDE Endbracket (A-F)	1	-	-	-
8	A061U110	NDE Endbracket (G-H)	1	-	-	-
9	45-1118	NDE Bearing Kit With Cap And Cartridge (A-F)	1	Yes	B	M
9	45-0407	NDE Bearing Kit (A-F)	1	-	-	-
9	A063M661	NDE Bearing Kit (G-H)	1	-	-	-

Item	Part No.	Description	Qty.	Recommended Service Part	RSL Class	RSL Type
9	A063M672	NDE Bearing Kit (G)-H With Cap And Cartridge	1	-	-	-
10	800-30015	NDE Bearing Cartridge (A-F)	1	-	-	-
10	A062E911	NDE Bearing Cartridge (G)-H	1	-	-	-
11	A062A093	Exciter Stator (A-D)	1	Yes	B	SC
11	A062A095	Exciter Stator (E-H)	1	Yes	B	SC
11	A064X961	Exciter Stator 130mm Severe Environmental (E-H)	1	Yes	B	SC
12	QMSN	Main Stator	1	-	-	-
13	QMSN	Main Stator Enclosure	1	-	-	-
14	QMSN	Main Rotor Assembly	1	-	-	-
15	A059U784	Exciter Rotor 130mm (E-H)	1	Yes	B	SC
15	A061X633	Exciter Rotor 100mm (A-D)	1	Yes	B	SC
15	A064Y290	Exciter Rotor 130mm Severe Environmental (E-H)	1	Yes	B	SC
16	A059Y591	Rectifier Assembly	1	Yes	A	SC
17	A063M677	Diode Forward/Reverse And Varistor Kit	1	Yes	A	SC
18	QMSN	Complete Terminal Box Assembly	1	-	-	-
19	A059S757	Heater Kit	1	Yes	C	R
20	800-30049	Fan (Clockwise) (A-B)	1	-	-	-
20	A050A299	Fan (Clockwise) (C-F)	1	-	-	-
20	A062F872	Fan (Clockwise) (G-H)	1	-	-	-
21	A059U999	DE Bracket Screen Top	1	-	-	-
21	A059V001	DE Bracket Screen Bottom	1	-	-	-
22	A059U997	Radial Air Inlet Screen	1	-	-	-
23	A059U883	DE Bracket (C-D)	1	-	-	-
23	A060S675	DE Bracket (E-F)	1	-	-	-
23	A061V805	DE Bracket (A-B)	1	-	-	-
23	A062F695	DE Bracket (G-H)	1	-	-	-
24	800-10475	DE Bearing Cartridge (A-D)	1	-	-	-
24	820-10137	DE Bearing Cartridge (E-F)	1	-	-	-
24	A062B588	DE Bearing Cartridge (G-H)	1	-	-	-
25	45-1151	NDE And DE Kit For (C-D)	1	Yes	B	M
25	45-1152	NDE And DE Kit For (E-F)	1	Yes	B	M
25	A063M674	NDE And DE Kit For (G-H)	1	Yes	B	M
25	45-0408	DE Bearing Kit (A-D)	1	-	-	-

Item	Part No.	Description	Qty.	Recommended Service Part	RSL Class	RSL Type
25	45-0409	DE Bearing Kit (E-F)	1	-	-	-
25	45-1119	DE Bearing Kit With Caps And Cartridges (A-D)	1	-	-	-
25	45-1120	DE Bearing Kit With Caps And Cartridges (E-F)	1	-	-	-
25	A063M660	DE Bearing Kit (G-H)	1	-	-	-
25	A063M671	DE Bearing Kit (G)-H With Caps And Cartridges	1	-	-	-
26	800-10477	DE Bearing Cap (A-D)	1	-	-	-
26	820-10138	DE Bearing Cap (E-F)	1	-	-	-
26	A062E194	D.E. Bearing Outer Cap (G-H)	1	-	-	-
26	A062E231	D.E. Bearing Inner Cap (G-H)	1	-	-	-
27	A062D571	Adaptor Kit SAE 00 (A-D)	1	-	-	-
27	A062D573	Adaptor Kit SAE 0 A-D	1	-	-	-
27	A062D581	Adaptor Kit SAE 00 (E-H)	1	-	-	-
27	A062N243	Adaptor Kit SAE 0 (E-F)	1	-	-	-
Not Shown	45-0281	Kluber Grease 400g	1	Yes	B	M
Not Shown	A054S072	AVR DECS100	1	Yes	A	SC
Not Shown	A060B914	AVR DECS150	1	Yes	A	SC
Not Shown	A061D996	AVR DM810	1	Yes	A	SC
Not Shown	A062K080	AVR DVC310	1	Yes	A	SC
Not Shown	CONTACT CGT	AVR Unitrol 1010	1	Yes	A	SC
Not Shown	E000-23800	AVR DM110	1	Yes	A	SC

-

This page is intentionally blank.

44 Accessories

TABLE 42. ACCESSORIES

Range	Description	Part Number	Amps	Additional Information
Droop Kits				
P0	Generator Current Transformer	191-1077		
P1	Generator Current Transformer	191-1077		
UC22	Reg control transformer kit	45-0997	Up to 60	
UC22	Reg control transformer kit	45-0091	60 – 200	
UC22	Reg control transformer kit	45-0092	201 – 400	
UC22	UL Reg control transformer kit	A055M646	55 – 110	
UC22 / UC27	UL Reg control transformer kit	A055M944	110 – 200	
UC27	Reg control transformer kit	45-0092	201 – 600	
UC27	Reg control transformer kit	45-0091	111 – 201	
UC27	UL Reg control transformer kit	A055M939	201 – 400	
HC4 / S4	Reg control transformer kit	45-0091	111 – 201	
HC4 / S4	Reg control transformer kit	45-0583	201 – 600	
HC4 / S4	UL Reg control transformer kit	A055L757	201 – 1250	
HC4 / S4	Droop CT kit for digital AVR	A048W476	130 – 1600	
HC4 / S4	Droop CT kit for digital AVR	A062Y082	1601 – 4000	
HC5 / S5	Reg control transformer kit	45-0588	Up to 600	
HC5 / S5D / S5/ HC6 / S6D / S6	Reg control transformer kit	45-0691	600 – 1200	
HC5 / S5D / S5	UL Reg control transformer kit	A055L766	300 – 1200	Differential Protection
HC5 / S5D / S5	Droop CT kit for digital AVR	A048W468	0 – 1040	Differential Protection
HC5 / S5	UL Reg control transformer kit	A055Z381	300 – 1200	
HC5 / S5D / S5	Droop CT kit for digital AVR	A061T978	1041-2400	
HC5 / S5	Droop CT kit for digital AVR	A062H942	1041-1400	
HC5 / S5D / S5/ HC6 / S6D / S6	Droop CT kit for digital AVR	A048W470	0-1040	Dual Function CT
HC6	UL Reg control transformer kit	A055Y527	1000 – 4000	
HC6	UL Reg control transformer kit	A055Y459	0 – 999	

Range	Description	Part Number	Amps	Additional Information
HC6	Droop CT kit for digital AVR	A048T546	440 – 4000	Differential Protection
HC6 / S6	Droop CT kit for digital AVR	A048T544	440 – 4000	
HC6 / S6	Droop CT kit for digital AVR	A055C983	0 – 1400	
P7 / S7 (4 Pole)	Reg control transformer kit	45-1056	Up to 2399	
P7 / S7 (4 Pole)	Reg control transformer kit	45-1024	2400 – 4000	
P7 / S7 (6 Pole)	Reg control transformer kit	45-1024	900 – 1499	
P7 / S7 (6 Pole)	Reg control transformer kit	45-1024	1800 – 3000	
P7 / S7 (4 Pole)	UL Reg control transformer kit	A056E370	1 – 1199	
P7 / S7 (4 Pole)	UL Reg control transformer kit	A055M537	1200 – 1999	
P7 / S7 (4 Pole)	UL Reg control transformer kit	A056G433	2000 – 2399	
P7 / S7 (4 Pole)	UL Reg control transformer kit	A056E420	2400 – 4000	
P7 / S7 (4 Pole)	Droop CT kit for digital AVR	A048W361	1206 – 4000	
P7 / S7 (4 Pole)	Droop CT kit for digital AVR	A048W381	1206 – 4000	Differential Protection
P7 / S7 (4 Pole)	Droop CT kit for digital AVR	A052T928	1 – 1205	
P7 / S7 (4 Pole)	Droop CT kit for digital AVR	A052T963	1 – 1205	Differential Protection
P7 / S7 (6 Pole)	Droop CT kit for digital AVR	A060N717	1 – 1200	
P7 / S7 (6 Pole)	Droop CT kit for digital AVR	A060P546	1201 – 4000	
P80		Q.S.N.M.		
S9	Droop CT kit for digital AVR	A062H455	110 – 150	
S9	Droop CT kit for digital AVR	A062H505	150 – 197	
S9	Droop CT kit for digital AVR	A062H509	197 – 270	
S9	UL droop CT kit for digital AVR	A062W045	75 – 110	
S9	UL droop CT kit for digital AVR	A062W064	270 – 370	
S9	UL droop CT kit for digital AVR	A062W065	370 – 490	
S9	UL droop CT kit for digital AVR	A062W071	490 – 655	

Range	Description	Part Number	Amps	Additional Information
S9	UL droop CT kit for digital AVR	A062W072	655 – 880	
Air Filter Kits				
UC22	Air filter kit	45-0875		
UC27	Air filter kit	45-0878	To end of October 2005	
ALL BC	Air filter kit	45-0769	From November 2005	
HC4 / S4	Air filter kit	45-0883		
HC5	Air filter kit	45-0315		
P7	Air filter kit	45-1023	Standard Terminal Box Industrial	
P7	Air filter kit	45-1039	Standard Terminal Box Marine	
P7	Air filter kit	45-1062	High Terminal Box Industrial	
P7	Air filter kit	45-1063	High Terminal Box Marine	
P7	Air filter kit	G CORE	Not currently covered by a kit	
Terminal Box Assembly				
All BC	Terminal box standard assembly	45-0861		
All BC	Terminal box standard assembly	45-1027		
BC184 H-J cores	3PH Terminal box kit	45-1040		
UC27	Terminal box kit	45-0890		
Power Factor Controller				
All Ranges	PCB version	E000-22090		
All Ranges	Complete assembly in steel	E000-12090		
ELECTRONIC MODULES				
All Ranges	Frequency detection module 12v	E000-21041		
All Ranges	Frequency detection module 24v	E000-21042		
All Ranges	Excitation loss 24V	E000-22062		

Range	Description	Part Number	Amps	Additional Information
All Ranges	Excitation loss 12V	E000-22063		
All Ranges	Manual voltage regulator	450-11400	UPFIT KIT 45-0506	
All Ranges	Diode failure detector	E000-12025		
All Ranges	RFI Suppression assembly	E000-22080		
All Ranges	3-PH Rectifier assembly	E000-22016		
Hand Trimmers				
	For: MX321/SX421	071-01037		
	For: MX341,SX440/465/460 AS440	071-01649		
Isolation Transformers				
UC22	1:1 Transformer assembly	E000-22070/P		
UC27	1:1 Transformer assembly	E000-22070/P		
HC4 / S4	1:1 Transformer assembly	E000-22070/P		
HC5	1:1 Transformer assembly	E000-22070/P		
HC6 / HC7	2:1 Isolation transformer and bracket assembly 480:240	450-42100		
HC6 / HC7	2.5:1 Isolation transformer and bracket assembly 600:240	450-42200		
HC6 / HC7	3:1 Isolation transformer and bracket assembly 720:240	450-42300		
S7 HV	Voltage transformer	A062K556	1 & 2 BEARING	
Bearing RTD'S				
P7	NDE RTD kit	45-1097		
P7	DE RTD kit	45-1096		
P7	NDE & DE RTD kit	45-1095		
P80	Bearing RTD	070-58085		
S9	Bearing RTD KIT 2 Bearing 1 RTD Per bearing	A061G928		
S9	Bearing RTD Kit 1 Bearing 1 RTD per bearing	A061G930		
S9	Bearing RTD kit 1 Bearing 2 RTD per bearing	A061G933		
S9	Bearing RTD kit 2 Bearing 2 RTD per bearing	A062D893		

STAMFORD | AvK™
POWERING TOMORROW, TOGETHER