

Parts Manual

CURRENT PRODUCTS

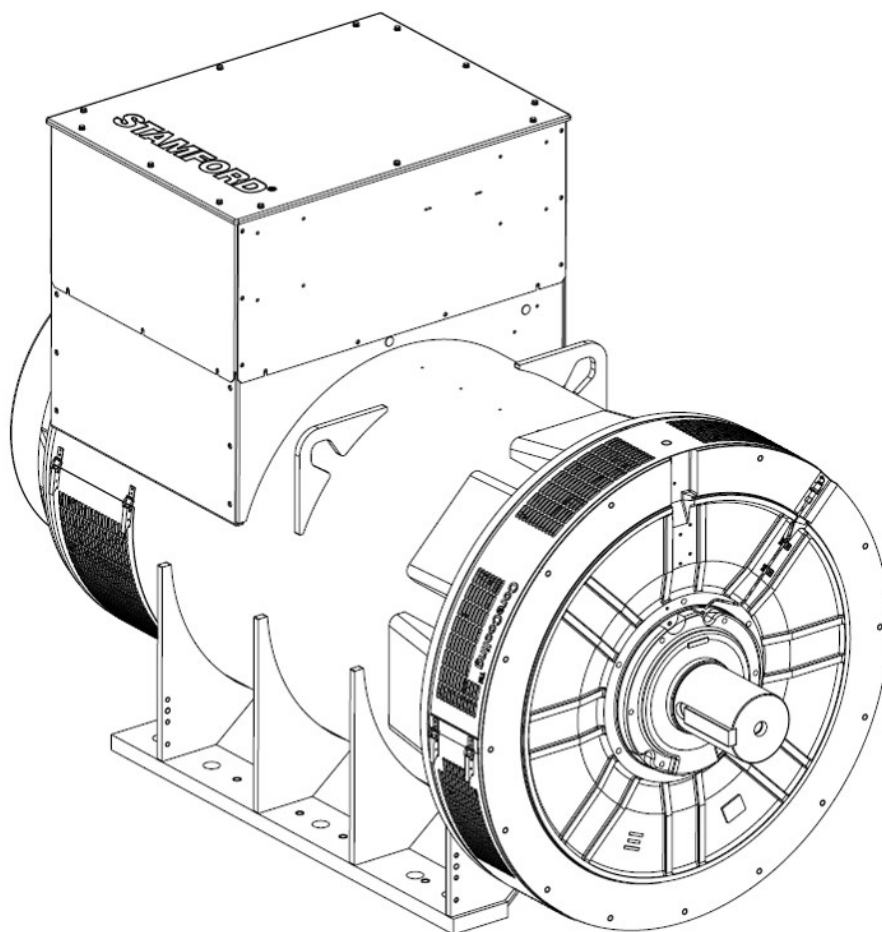


Table of Contents

1. FOREWORD	1
2. PLANNED MAINTENANCE KITS	3
3. P0 - 1 BEARING.....	5
4. P0 - 2 BEARING.....	9
5. P1 - 1 BEARING.....	11
6. P1 - 2 BEARING.....	15
7. S0L1 - 1 BEARING.....	19
8. S0L2 - 1 BEARING.....	21
9. S1L2 - 1 BEARING.....	25
10. UCD22 - 1 BEARING	29
11. UCD27 - 1 BEARING	33
12. UCI224 - 1 BEARING.....	37
13. UCI224 C TO G - 2 BEARING 4 POLE	41
14. UCI274 C TO H - 1 BEARING	45
15. UCI274 C TO H - 2 BEARING 4 POLE.....	49
16. HC434 C TO F - 1 BEARING.....	53
17. HC434 C TO F - 2 BEARING.....	57
18. S4 C TO F - 1 BEARING.....	61
19. S4 C TO F - 2 BEARING.....	65
20. S4 G - 1 BEARING (DEDICATED)	69
21. HC534 C TO F - 1 BEARING SER 3 & 4	73
22. HC534 C TO F - 2 BEARING SER 3 & 4	77
23. S5 C TO F - 1 BEARING (DEDICATED)	81
24. S5 G TO H - 1 BEARING (DEDICATED).....	85
25. S5 C TO F - 1 BEARING.....	89
26. S5 C TO F - 2 BEARING.....	93
27. HC634 G TO K - 1 BEARING SER 3.....	97

28. HC634 G TO K - 2 BEARING SER 3.....	101
29. S6 C TO H - 1 BEARING (DEDICATED).....	105
30. S6 C TO H - 2 BEARING (DEDICATED).....	109
31. P7 A TO G - 1 BEARING	113
32. P7 A TO G - 2 BEARING	117
33. S7 LV - 1 BEARING	121
34. S7 LV - 2 BEARING	125
35. S7 WLV - 2 BEARING.....	129
36. S7 HV - 1 BEARING	133
37. S7 HV - 2 BEARING	135
38. P80 - 1 BEARING.....	137
39. P80 - 2 BEARING.....	139
40. S9 HV - 1 BEARING	143
41. S9 HV - 2 BEARING	145
42. ACCESSORIES.....	149

1 Foreword

1.1 General

This manual forms part of the items supplied and is an important technical guide to the intended use of the alternator. It represents an essential source of information for the user and also for managers for the prevention of injuries and damage to the alternator. The general safety regulations, the specific regulations for the place of use and the precautions described in this document must be followed at all times.

TABLE 1. COMPANY ADDRESSES

Company and European Authorized Representative Addresses	
Cummins Generator Technologies Fountain Court Lynch Wood Peterborough PE2 6FZ United Kingdom	Cummins Generator Technologies Bvd. Decebal 116A Craiova, Dolj 200746 Romania

1.2 Model Identification

This manual covers alternator models produced by under the Cummins Generator Technologies LTD (CGT) STAMFORD® branded alternators.

To avoid errors or delay in filling your parts order, always state the MODEL and SERIAL NUMBER from the Alternator nameplate.

The alternator serial number is located on a data tag on the alternator.

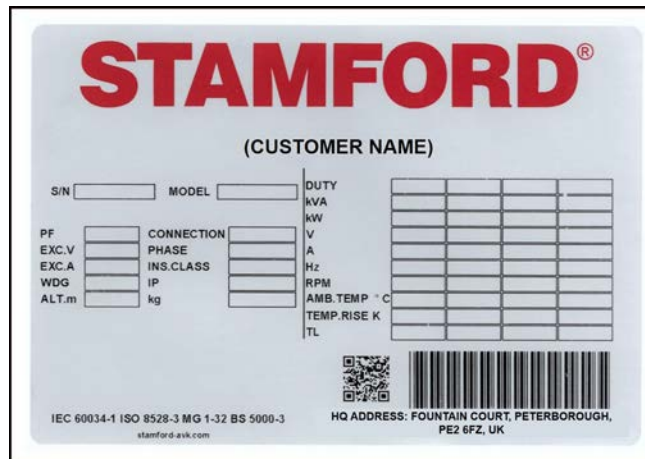


FIGURE 1. ALTERNATOR RATING PLATE

For future reference, note alternator model and serial number in the table below.

TABLE 2. ALTERNATOR DETAILS

Model	Serial Number

1.3 Abbreviations

Some of the following abbreviations may be used throughout this manual:

AVR - Automatic Voltage Regulator

EBS - Excitation Boost System

DE - Drive End

NDE - Non-Drive End

PMG - Permanent Magnet Generator

QMSN - Quote Manufacturer Serial Number

SAE - Society of Automotive Engineers

C/W - Complete With

FWD/REV - Forward & Reverse

A/F - Air Filter

2 Planned Maintenance Kits

Recommended parts kits for the 30,000 hour service interval / 5 years maintenance.

TABLE 3. MAINTENANCE KIT PART NUMBERS

Description	Part No.	Qty.
S1/P0/P1 – 1 BRG 30,000HR SER KIT	A051C107	1
P0/P1 – 2 BRG 30,000HR SER KIT	A051C115	1
S0 – 1 BRG 30,000HR SER KIT	A054N489	1
UC22 – 1 BRG 30,000HR SER KIT	A051C212	1
UC22 – 2 BRG 30,000HR SER KIT	A051C216	1
UC27 – 1 BRG 30,000HR SER KIT	A051C218	1
UC27 – 2 BRG 30,000HR SER KIT	A051C222	1
HC4/S4 – 1 BRG 30,000HR SER KIT	A051C225	1
HC4/S4 – 2 BRG 30,000HR SER KIT	A051C230	1
HC5 / S5 / S5L1D Bearing 30,000HR SER KIT (Sealed)	A051C232	1
HC5 / S5 2 BRG 30,000HR SER KIT (Sealed)	A051C234	1
HC5 / S5 1 BRG 30,000HR SER KIT (Regreaseable)	A051Z125	1
HC5 / S5 2 BRG 30,000HR SER KIT (Regreaseable)	A051Z131	1
HC6 / S6 / S6L1D G-H Core 1 BRG 30,000HR SER KIT (Sealed)	A051C237	1
HC6 / S6 / S6L1D G-H Core 2 BRG 30,000HR SER KIT (Sealed)	A051C243	1
S6L1D 2 BRG C-F Core 30,000HR SER KIT (Sealed)	A059R029	1
HC6 / S6 – 1 BRG 30,000HR SER KIT (Regreaseable)	A051Z133	1
HC6 / S6 – 2 BRG 30,000HR SER KIT (Regreaseable)	A051Z137	1
P7 / S7 1 BRG 30,000HR SER KIT (Sealed)	A051Z145	1
P7 / S7 BRG 30,000HR SER KIT (Regreaseable)	A051C251	1
P7 A-E core / S7 C-F core 2 BRG 30,000HR SER KIT A?E (Regreaseable)	A051C255	1
P7 F-G core / S7 G-J core 2 BRG 30,000HR SER KIT F?G (Regreaseable)	A051C257	1
P80 – 1 BRG 30,000HR SER KIT	A051C282	1
P80 – 2 BRG 30,000HR SER KIT RST	A051C285	1
P80 – 2 BRG 30,000HR SER KIT XYZ	A051C291	1
S9 – 1 BRG 30,000HR SER KIT	A065P433	1
S9 – 2 BRG 30,000HR SER KIT B-D	A065P434	1
S9 – 2 BRG 30,000HR SER KIT E-F	A065P435	1
S9 – 2 BRG 30,000HR SER KIT G-H	A065P436	1

-

This page is intentionally blank.

3 P0 - 1 Bearing

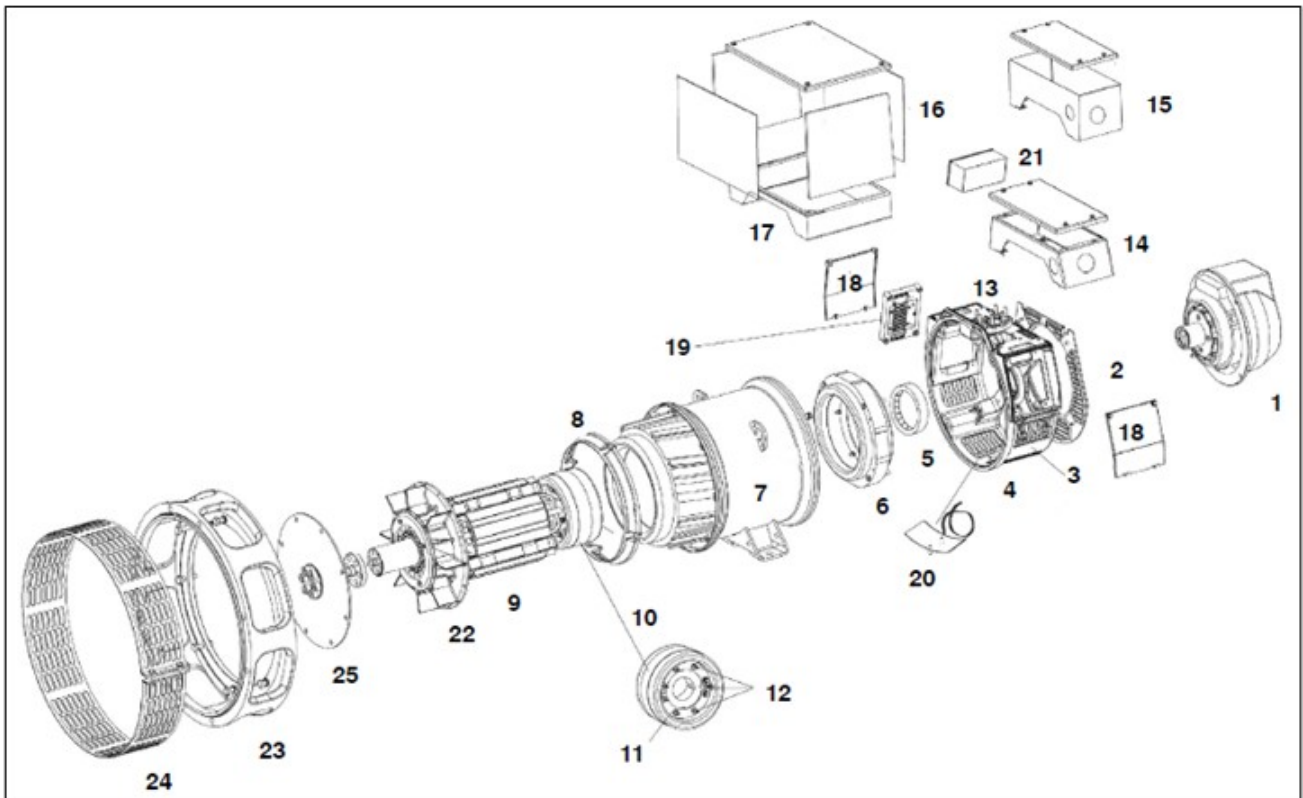


FIGURE 2. P0 - 1 BEARING PARTS DRAWING

TABLE 4. P0 - 1 BEARING PARTS LIST

Item	Part No.	Description	Qty
1	45-1210	EBS Unit (4 Pole)	1
	E000-14831	EBS Module Only for 45-1210 & 45-1212	1
	45-1212	EBS Unit (2 Pole)	1
	45-1211	EBS Unit (Cummins PCC 1302 - 4 Pole)	1
	E000-14851	EBS Module Only for 45-1211 & 45-1213	1
	45-1213	EBS Unit (Cummins PCC 1302 - 2 Pole)	1
2	191-10061	NDE Cover for use with EBS	1
	191-10045	NDE Cover for use without EBS (Not Shown)	1
3	190-10018	NDE Endbracket Bottom Cover	1
4	190-10025	NDE Endbracket	1
5	45-0866	Bearing Kit	1
6	190-1038	Exciter Stator 20mm (D, E & F)	1
	190-1039	Exciter Stator 25mm (G & H)	1
	A052F554	Exciter Stator 20mm Severe Environmental	1
	A052F650	Exciter Stator 25mm Severe Environmental	1

Item	Part No.	Description	Qty
7	QMSN	Stator Frame Assembly	1
8	191-10091 P	Air Flow Baffle	1
9	QMSN	Rotor Shaft Assembly	1
10	190-1040	Exciter Rotor 20mm (D, E & F)	1
	190-1041	Exciter Rotor 25mm (G & H)	1
11	45-0427	Rotating Rectifier Assembly	1
12	RSK-1101 P	Diode Fwd/Rev & Varistor Kit	1
13	191-10057	Terminal, Board	1
14	45-1165	Standard Terminal Box Kit (D)	1
15	45-1206	Tall Terminal Box Kit	1
16	45-1166	Large Terminal Box Kit	1
17	45-1175	Terminal Box Plinth (Included in Item 16)	1
18	190-10027	AVR Cover	2
19	E000-14808/1P	AVR AS480 UL Approved Only Supplied	1
20	45-1161	Heater Kit 230V	1
	A040G608	Heater Kit 230V to Include Terminal Box for Retrofit	1
	45-1162	Heater Kit 115V	1
	A040G612	Heater Kit 115V to Include Terminal Box for Retrofit	1
	45-1163	Heater Kit 24V	1
	A040G614	Heater Kit 24V to Include Terminal Box for Retrofit	1
	45-1164	Heater Kit 12V	1
	A040G618	Heater Kit 12V to Include Terminal Box for Retrofit	1
21	45-1205	Heater Terminal Box for Retrofit Not Included in Heater Kits (Item 20)	1
22	191-10042	Fan	1
23	45-1190	Adapter Kit SAE 2	1
	45-1191	Adapter Kit SAE 3	1
	45-1192	Adapter Kit SAE 4 (D,E,F,G)	1
	45-1197	Adapter Kit SAE 4 (Spacer 28.5)	1
	45-1193	Adapter Kit SAE 5	1
	45-1195	Adapter Kit SAE 5 (Spacer 26 Wide Lister Alpha)	1
	45-1196	Adapter Kit SAE 5 (Spacer 51.5 Wide Lister Alpha)	1
	45-1194	Adapter Kit SAE 6	1
	45-1198	Adapter Kit (AIFO)	1

Item	Part No.	Description	Qty
	45-1199	Adapter Kit (GM)	1
24	See Item 19	Adapter Screen Included in Kit	1
25	45-1170	Coupling Kit SAE 6.5 (3mm)	1
	45-1181	Coupling Kit SAE 6.5 (3mm) (For SAE6 Adaptor)	1
	45-1183	Coupling Kit SAE 6.5 (Dished Disc) AN13.3	1
	45-1185	Coupling Kit SAE 6.5 (Dished Disc) AN30.2	1
	45-1171	Coupling Kit SAE 7.5	1
	45-1209	Coupling Kit SAE 7.5 (3mm) (Special for D Core)	1
	45-1204	Coupling Kit SAE 7.5 (3mm) (Special for D Core)	1
	45-1184	Coupling Kit SAE 7.5 (Dished Disc) AN13.3	1
	45-1186	Coupling Kit SAE 7.5 (Dished Disc) AN30.2	1
	45-1188	Coupling Kit (GM Adapter Up to G)	1
	45-1172	Coupling Kit SAE 8 (3mm)	1
	45-1173	Coupling Kit SAE 10 (3mm)	1

-

This page is intentionally blank.

4 P0 - 2 Bearing

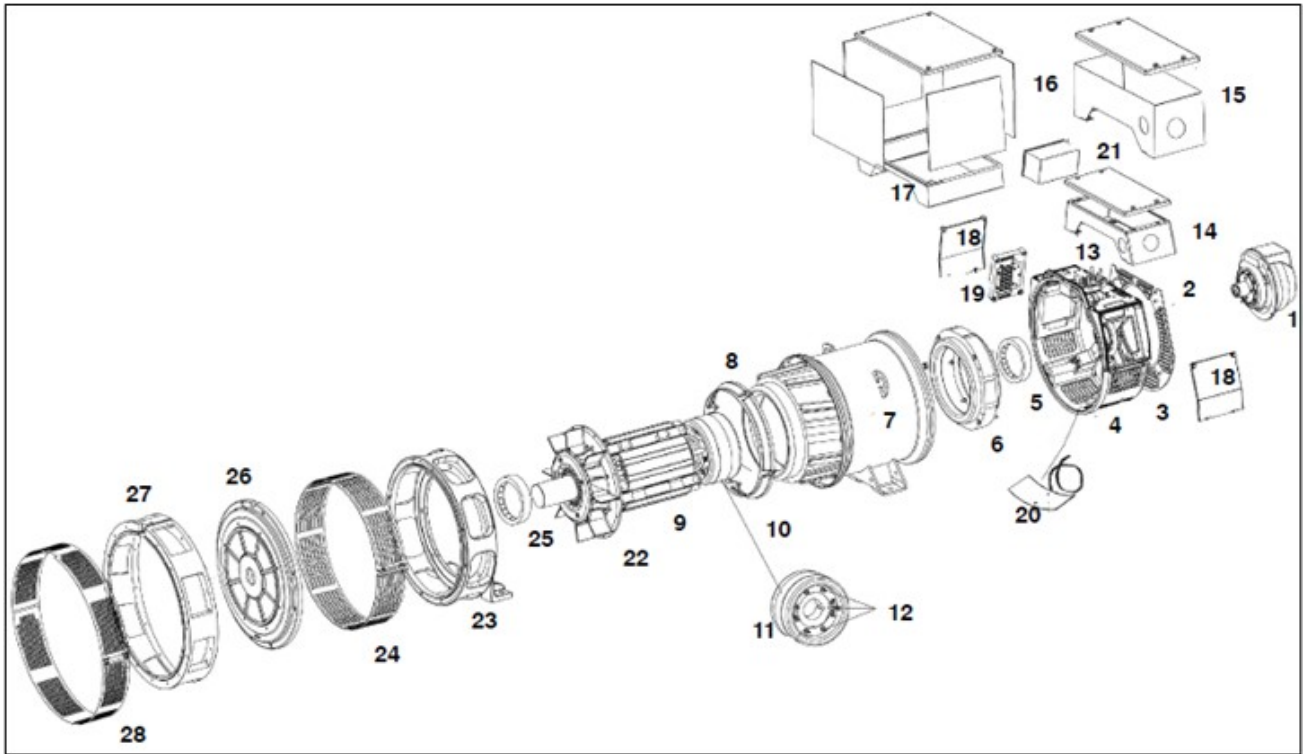


FIGURE 3. P0 - 2 BEARING PARTS DRAWING

TABLE 5. P0 - 2 BEARING PARTS LIST

Item	Part No.	Description	Qty
1	45-1210	EBS Unit (4 Pole)	1
	E000-14831	EBS Module Only for 45-1210 & 45-1212	1
	45-1212	EBS Unit (2 Pole)	1
	45-1211	EBS Unit (Cummins PCC 1302 - 4 Pole)	1
	E000-14851	EBS Module Only for 45-1211 & 45-1213	1
	45-1213	EBS Unit (Cummins PCC 1302 - 2 Pole)	1
2	191-10061	NDE Cover for Use With EBS	1
	191-10045	NDE Cover for Use Without EBS (Not Shown)	1
3	190-10018	NDE Endbracket Bottom Cover	1
4	190-10025	NDE Endbracket	1
5	45-0866	Bearing Kit	1
6	190-1038	Exciter Stator 20mm (D, E & F)	1
	190-1039	Exciter Stator 25mm (G & H)	1
	A052F554	Exciter Stator 20mm Severe Environmental	1
	A052F650	Exciter Stator 25mm Severe Environmental	1
7	QMSN	Stator Frame Assembly	1

Item	Part No.	Description	Qty
8	191-10091	Air Flow Baffle	1
9	QMSN	Rotor Shaft Assembly	1
10	190-1040	Exciter Rotor 20mm (D, E & F)	1
	190-1041	Exciter Rotor 25mm (G & H)	1
11	45-0427	Rotating Rectifier Assembly	1
12	RSK-1101	Diode Fwd/Rev & Varistor Kit	1
13	191-10057	Terminal, Board	1
14	45-1165	Standard Terminal Box Kit (D)	1
15	45-1206	Tall Terminal Box Kit	1
16	45-1166	Large Terminal Box Kit	1
17	45-1175	Terminal Box Plinth (Included in Item 16)	1
18	190-10027	AVR Cover	2
19	E000-14808/1P	AVR AS480 UL Approved Only Supplied	1
20	45-1161	Heater Kit 230V	1
	A040G608	Heater Kit 230V to Include Terminal Box for Retrofit	1
	45-1162	Heater Kit 115V	1
	A040G612	Heater Kit 115V to Include Terminal Box for Retrofit	1
	45-1163	Heater Kit 24V	1
	A040G614	Heater Kit 24V to Include Terminal Box for Retrofit	1
	45-1164	Heater Kit 12V	1
	A040G618	Heater Kit 12V to Include Terminal Box for Retrofit	1
21	45-1205	Heater Terminal Box for Retrofit Not Included in Heater Kits (Item 20)	1
22	191-10042	Fan	1
23	190-10043	DE Bracket	1
24	190-10016	DE Screen	1
25	45-0363	DE Bearing Kit	1
26	190-10044	DE Endplate	1
27	45-1200	Adapter Kit SAE 2	1
	45-1201	Adapter Kit SAE 3	1
	45-1202	Adapter Kit SAE 4	1
	45-1203	Adapter Kit SAE 5	1
28	See Item 27	Adaptor screen included in kit	1

5 P1 - 1 Bearing

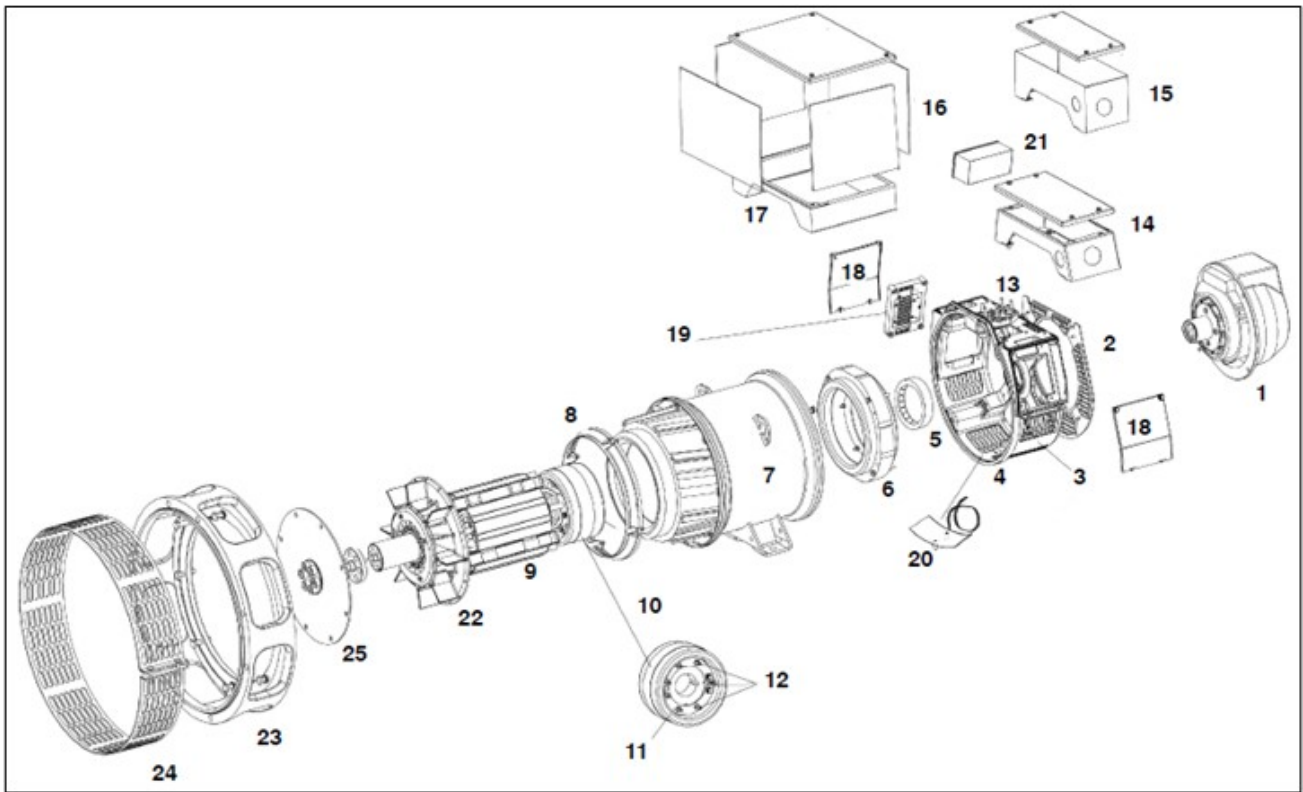


FIGURE 4. P1 - 1 BEARING PARTS DRAWING

TABLE 6. P1 - 1 BEARING PARTS LIST

Item	Part No.	Description	Qty
1	45-1210	EBS Unit (4 Pole)	1
	E000-14831	EBS Module Only for 45-1210 & 45-1212	1
	45-1212	EBS Unit (2 Pole)	1
	45-1211	EBS Unit (Cummins PCC 1302 – 4 Pole)	1
	E000-14851	EBS Module Only for 45-1211 & 45-1213	1
	45-1213	EBS Unit (Cummins PCC 1302 – 2 Pole)	1
2	191-10061	NDE Cover for use with EBS	1
	191-10045	NDE Cover for use without EBS (Not Shown)	1
3	190-10018	NDE Endbracket Bottom Cover (D)	1
	190-10035	NDE Endbracket Bottom Cover(E – K)	1
4	190-10025	NDE Endbracket (D)	1
	191-10055	NDE Endbracket (E – K)	1
5	45-0866	Bearing Kit	1
6	190-1039	Exciter stator 25mm (D)	1
	191-1067	Exciter stator 30mm (E)	1

Item	Part No.	Description	Qty
	191-1068	Exciter stator 34mm (F - G)	1
	191-1069	Exciter stator 38mm (H - K)	1
	A052F650	Exciter stator 25mm (D) Severe Environmental	1
	A052F652	Exciter stator 30mm (E) Severe Environmental	1
	A052F660	Exciter stator 34mm (F - G) Severe Environmental	1
	A052F805	Exciter stator 38mm (H - K) Severe Environmental	1
7	QMSN	Stator Frame Assembly	1
8	191-10091	Air Flow Baffle	1
9	QMSN	Rotor Shaft Assembly	1
10	190-1041	Exciter Rotor 25mm (G & H)	1
	191-1072	Exciter Rotor 30mm (E)	1
	191-1063	Exciter Rotor 34mm (F - G)	1
	191-1064	Exciter Rotor 38mm(H - K)	1
11	45-0427	Rotating Rectifier Assembly	1
12	RSK-1101	Diode Fwd/Rev & Varistor Kit	1
13	191-10057	Terminal, Board	1
14	45-1165	Standard Terminal Box Kit (D)	1
	45-1168	Standard Terminal Box Kit (E - K)	1
	45-1169	Standard Terminal Box Kit CPG Set (E-K)	1
15	45-1206	Tall Terminal Box Kit	1
16	45-1166	Large Terminal Box Kit (D) C/W plinth	1
	45-1167	Large Terminal Box Kit (E - K) C/W Plinth	1
17	45-1175	Terminal Box Plinth (D)	1
	45-1176	Terminal Box Plinth (E - K)	1
18	190-10027	AVR Cover (D)	2
	191-10056	AVR Cover (E - K)	2
19	E000-14808/1P	AVR AS480 UL Approved Only Supplied	1
20	45-1161	Heater Kit 230V	1
	A040G608	Heater Kit 230V to Include Terminal Box for Retrofit	1
	45-1162	Heater Kit 115V	1
	A040G612	Heater Kit 115V to Include Terminal Box for Retrofit	1
	45-1163	Heater Kit 24V	1
	A040G614	Heater Kit 24V to Include Terminal Box for Retrofit	1
	45-1164	Heater Kit 12V	1
	A040G618	Heater Kit 12V to Include Terminal Box for Retrofit	1
21	45-1205	Heater Terminal Box for Retrofit Not Included in Heater Kits (Item 20)	1

Item	Part No.	Description	Qty
22	191-10042	Fan 290 mm (D-G)	1
	191-10059	Fan 344 mm (H - K)	1
23	45-1190	Adapter Kit SAE 2	1
	45-1191	Adapter Kit SAE 3	1
	45-1192	Adapter Kit SAE 4 (D,E,F,G)	1
	45-1197	Adapter Kit SAE 4 (Spacer 28.5)	1
	45-1193	Adapter Kit SAE 5	1
	45-1195	Adapter Kit SAE 5 (Spacer 26 Wide Lister Alpha)	1
	45-1196	Adapter Kit SAE 5 (Spacer 51.5 Wide Lister Alpha)	1
	45-1194	Adapter Kit SAE 6	1
	45-1198	Adapter Kit (AIFO)	1
	45-1199	Adapter Kit (GM)	1
24	See Item 23	Adapter Screen Included in Kit	1
25	45-1170	Coupling Kit SAE 6.5 (3mm)	1
	45-1181	Coupling Kit SAE 6.5 (3mm) (For SAE6 Adaptor)	1
	45-1183	Coupling Kit SAE 6.5 (Dished Disc) AN13.3	1
	45-1185	Coupling Kit SAE 6.5 (Dished Disc) AN30.2	1
	45-1171	Coupling Kit SAE 7.5	1
	45-1209	Coupling Kit SAE 7.5 (3mm) (Special for D Core)	1
	45-1204	Coupling Kit SAE 7.5 (Kubota) (1.2mm)	1
	45-1184	Coupling Kit SAE 7.5 (Dished Disc) AN13.3	1
	45-1186	Coupling Kit SAE 7.5 (Dished Disc) AN30.2	1
	45-1188	Coupling Kit (GM Adapter Up to G)	1
	45-1172	Coupling Kit SAE 8 (3mm)	1
	45-1173	Coupling Kit SAE 10 (3mm)	1
	45-1174	Coupling Kit SAE 11.5 (3mm)	1
	45-1180	Coupling Kit Lister/Alpha (Use with 45-1195 Only)	1

-

This page is intentionally blank.

6 P1 - 2 Bearing

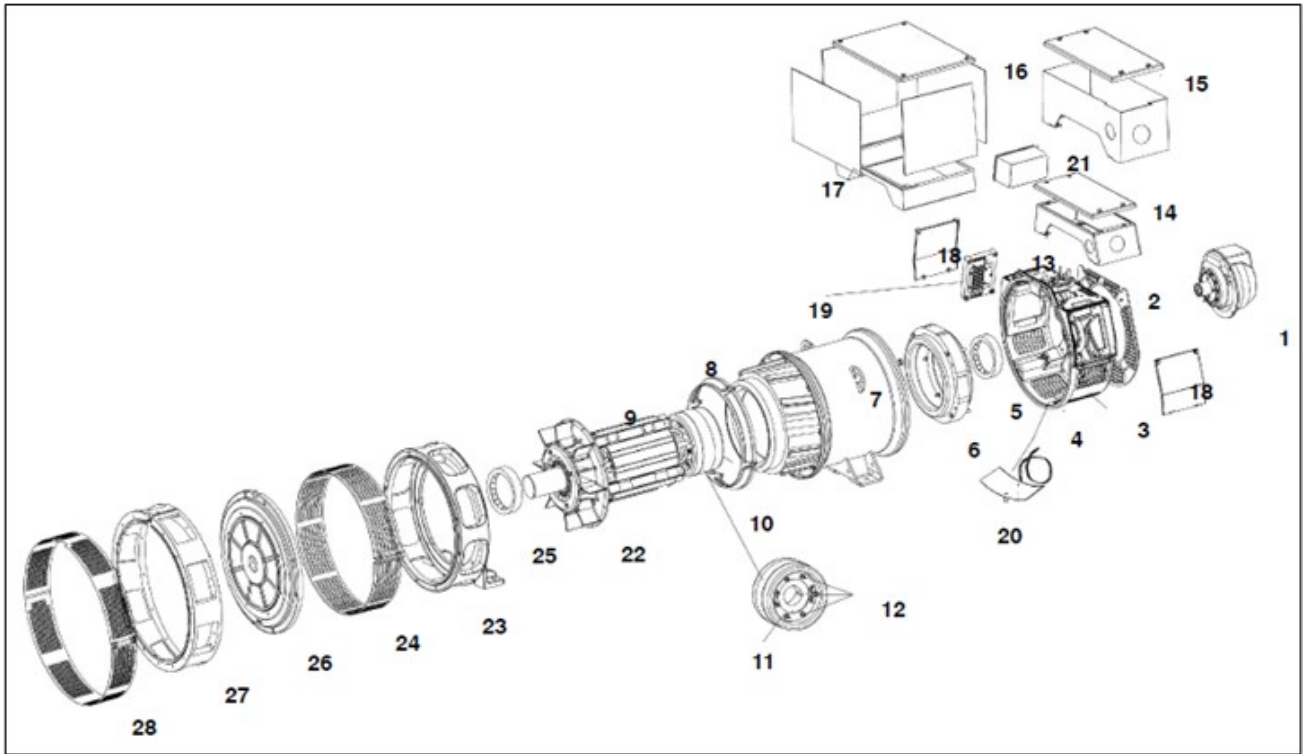


FIGURE 5. P1 - 2 BEARING PARTS DRAWING

TABLE 7. P1 - 2 BEARING PARTS LIST

Item	Part No.	Description	Qty
1	45-1210	EBS Unit (4 Pole)	1
	E000-14831	EBS Module Only for 45-1210 & 45-1212	1
	45-1212	EBS Unit (2 Pole)	1
	45-1211	EBS Unit (Cummins PCC 1302 - 4 Pole)	1
	E000-14851	EBS Module Only for 45-1211 & 45-1213	1
	45-1213	EBS Unit (Cummins PCC 1302 - 2 Pole)	1
2	191-10061	NDE Cover for use with EBS	1
	191-10045	NDE Cover for use without EBS (Not Shown)	1
3	190-10018	NDE Endbracket Bottom Cover (D)	1
	190-10035	NDE Endbracket Bottom Cover (F-K)	1
4	190-10025	NDE Endbracket (D)	1
	191-10055	NDE Endbracket (E-K)	1
5	45-0866	Bearing Kit	1
6	191-1067	Exciter Stator 30mm (E)	1
	190-1039	Exciter Stator 25mm (D)	1
	191-1068	Exciter Stator 34mm (F-G)	1

Item	Part No.	Description	Qty
	191-1069	Exciter Stator 38mm (H-K)	1
	A052F650	Exciter Stator 25mm (D) Severe Environmental	1
	A052F652	Exciter Stator 30mm (E) Severe Environmental	1
	A052F660	Exciter Stator 34mm (F - G) Severe Environmental	1
	A052F805	Exciter Stator 38mm (H - K) Severe Environmental	1
7	QMSN	Stator Frame Assembly	1
8	191-10091	Air Flow Baffle	1
9	QMSN	Rotor Shaft Assembly	1
10	190-1041	Exciter Rotor 25mm D core	1
	191-1072	Exciter Rotor 30mm E core	1
	191-1063	Exciter Rotor 34mm F & G core	1
	191-1064	Exciter Rotor 38mm H-K core	1
11	45-0427	Rotating Rectifier Assembly	1
12	RSK-1101	Diode Fwd/Rev & Varistor Kit	1
13	191-10057	Terminal, Board	1
14	45-1165	Standard Terminal Box Kit (D)	1
	45-1168	Standard Terminal Box Kit (E-K)	1
	45-1169	Standard Terminal Box CPG set (E-K)	1
15	45-1206	Tall Terminal Box Kit	1
16	45-1166	Large Terminal Box Kit (D) C/W plinth	1
	45-1167	Large Terminal Box Kit (E-K) C/W plinth	1
17	45-1175	Terminal Box Plinth (D)	1
	45-1176	Terminal Box Plinth (E-K)	1
18	190-10027	AVR Cover (D)	2
	191-10056	AVR Cover (E-K)	2
19	E000-14808/1P	AVR AS480 UL Approved Only Supplied	1
20	45-1161	Heater Kit 230V	1
	A040G608	Heater Kit 230V to Include Terminal Box for Retrofit	1
	45-1162	Heater Kit 115V	1
	A040G612	Heater Kit 115V to Include Terminal Box for Retrofit	1
	A040G614	Heater Kit 24V to Include Terminal Box for Retrofit	1
	45-1163	Heater Kit 24V	1
	45-1164	Heater Kit 12V	1
	A040G618	Heater Kit 12V to Include Terminal Box for Retrofit	1
21	45-1205	Heater Terminal Box for Retrofit Not Included in Heater Kits (Item 20)	1
22	191-10042	Fan 290 mm (D-G)	1

Item	Part No.	Description	Qty
	191-10059	Fan 290 mm (H-K)	1
23	191-10119	DE Bracket	1
24	191-10029	DE Bracket screen	1
25	45-0363	DE Bearing kit	1
26	191-10029	DE Endplate (D-G)	1
27	45-1200	Adapter Kit SAE 2	1
	45-1201	Adapter Kit SAE 3	1
	45-1202	Adapter Kit SAE 4	1
	45-1203	Adapter Kit SAE 5	1
28	See Item 27	Adapter Screen Included in Kit	1

-

This page is intentionally blank.

7 S0L1 - 1 Bearing

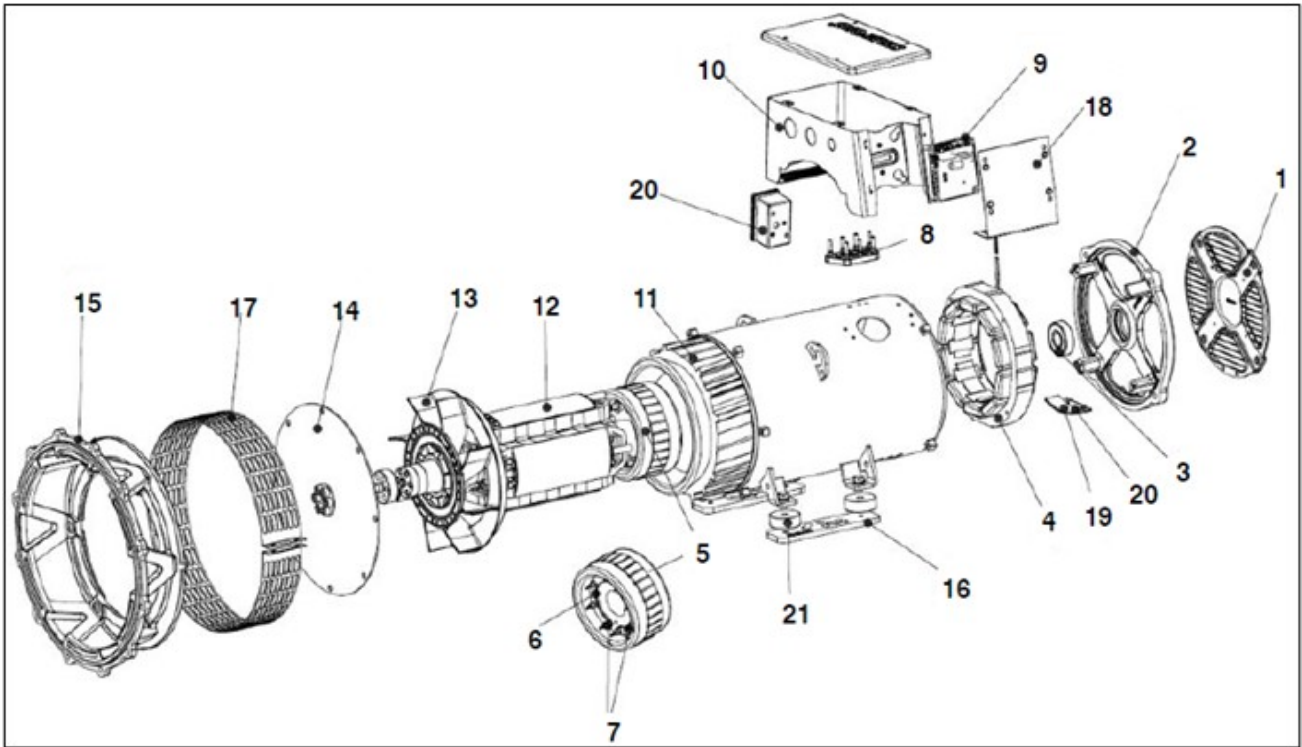


FIGURE 6. S0L1 - 1 BEARING PARTS DRAWING

TABLE 8. S0L1 - 1 BEARING PARTS LIST

Item	Part No.	Description	Qty
1	A052E628	Cover, End	1
2	A051P115	Brkt, End, F0, NDE	1
3	A054H811	Kit, Brg, F1, NDE, S0L2, 1B	1
4*	A052J112	Str, Exc, 30.0	1
4#	A052J113	Str, Exc, 35.0	1
5*	A052J677	Rtr, Exc, 30.0	1
5#	A052J678	Rtr, Exc, 35.0	1
6	A051C308	Rectfr, Rot, F0	1
7	A054H820	Kit, Diode Repair, F1	1
8*	A054H831	Kit, Term, F1, Term Brd Conver	1
9	A059F437	Kit, Regn Ctrl Mdl, AS540	1
10	A052X170	Term Encl, F0, IP23	
11	QMSN	Wound Main Stator with Frame Assembly	1
12	QMSN	Wound Main Rotor with Complete Assembly	1
13	A052F581	Fan, F0, 1, CTRF250	1
14	A053E721	Coupling Kit, F0, SAE6.5, 1B	1

Item	Part No.	Description	Qty
	A052W678	Coupling Kit, F0, SAE7.5, 1B	1
	A052W626	Coupling Kit, F0, SAE10, 1B	1
	A052W676	Coupling Kit, F0, SAE11.5, 1B	1
15	A053E622	Adapter Kit, F0, SAE3, 1B	1
	A052V920	Adapter Kit, F0, SAE4, 1B	1
	A053E624	Adapter Kit, F0, SAE5, 1B	1
16*	A052X624	Foot Kit, F0, Bolt-On, 132.0C/H	1
17*	A054L239	Kit, Adpt Sprs, F0 SAE3 1B, IP23	1
17#	A054L242	Kit, Adpt Sprs, F0 SAE4 1B, IP23	1
17**	A054L246	Kit, Adpt Sprs, F0 SAE5 1B, IP23	1
18	A052F476	Panel, Term Encl, F0, SD, IP23	1
19	A053L646	Htr, Cart, 25.0W, 12VAC, 0VDC	1
	A053L668	Htr, Cart, 25.0W, 24VAC, 0VDC	1
	A053P092	Htr, Cart, 25.0W, 115VAC, 0VDC	1
	A053P101	Htr, Cart, 25.0W, 230VAC, 0VDC	1
20	A054K278	Kit, Htr, F0, 12V	1
	A054K280	Kit, Htr, F0, 24V	1
	A054K282	Kit, Htr, F0, 115V	1
	A054K284	Kit, Htr, F0, 230V	1
21*	A051L180	Spacer, BK, 0.0	4
	NOTES:		
	4*	Exciter Stator 30 MM (D,H,J)	
	4#	Exciter Stator 35 MM (L,P,S)	
	5*	Exciter Stator 30 MM (D,H,J)	
	5#	Exciter Rotor 35 MM (L,P,S)	
	8*	Terminal Board Kit (1 and 3 Phase)	
	16*	Generator Base Plate (Foot Plates Only) Kit	
	17*	DE Screen SAE 3	
	17#	DE Screen SAE 4	
	17**	DE Screen SAE 5	
	21*	28 mm Height Spacer Block	

8 S0L2 - 1 Bearing

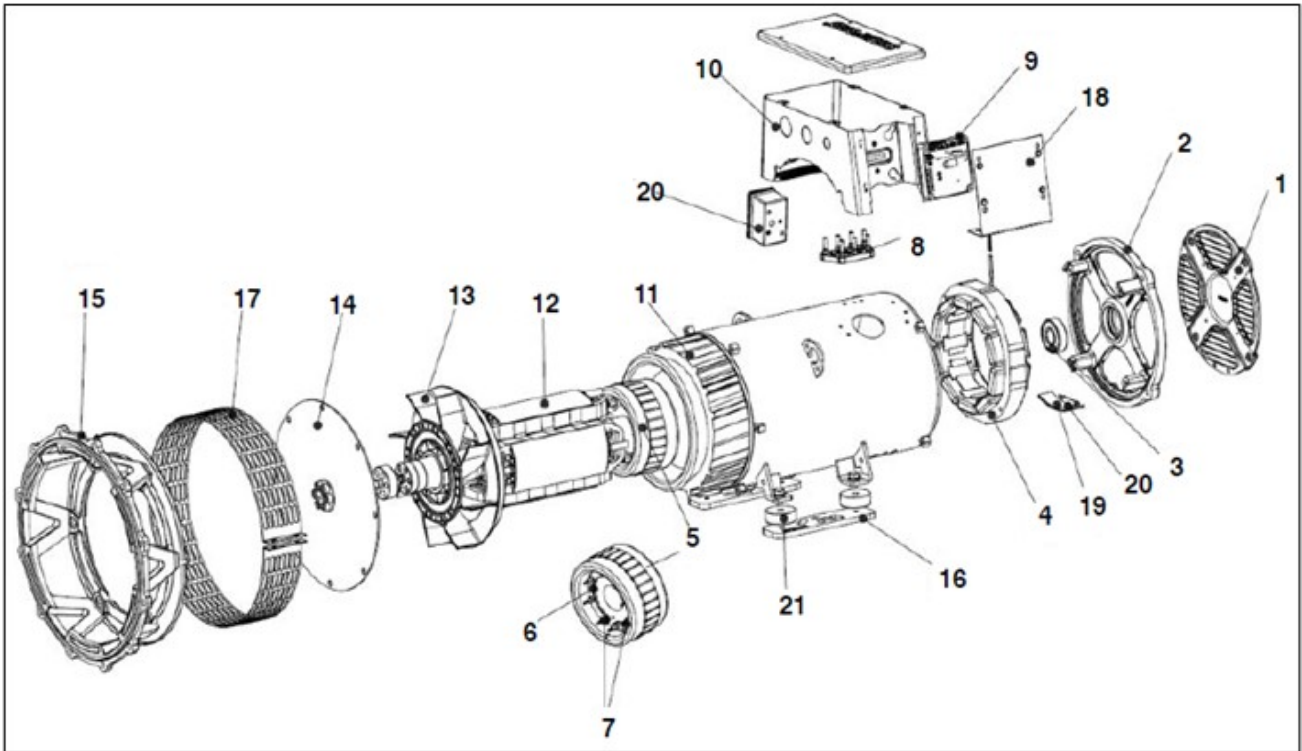


FIGURE 7. S0L2 - 1 BEARING PARTS DRAWING

TABLE 9. S0L2 - 1 BEARING PARTS LIST

Item	Part No.	Description	Qty
1	A052E626	Cover, End	1
2	A051P111	Brkt, End, F1, NDE	1
3	A054H811	Kit, Brg, F1, NDE, S0L2, 1B	1
4*	A051G465	Str, Exc, 25.0, Epoxy Tapd	1
4#	A051G467	Str, Exc, 30.0, Epoxy Tapd	1
4**	A051L225	Str, Exc, 34.0, Epoxy Tapd	1
5*	190-1041	P0 Wnd Ex Rtr 25MM	1
5#	191-1072	P1 Wnd Ex Rtr 30MM	1
5**	191-1063	P1 Wnd Ex Rtr 34MM	1
6	A054H816	Kit, Rot Rectfr, F1	1
7	A054H820	Kit, Diode Repair, F1	1
8*	A054H831	Kit, Term, F1, Term Brd Conver	1
9	A059F437	Kit, Regn Ctrl Mdl, AS540	1
10	A052X183	Term Encl, F1, IP23	
11	QMSN	Wound Main Stator with Frame Assembly	1
12	QMSN	Wound Main Rotor with Complete Assembly	1

Item	Part No.	Description	Qty
13	A052F473	Fan, F1, 1, CTRF295	1
14	A053F397	Coupling Kit, F1, SAE6.5, 1B	1
	A053F395	Coupling Kit, F1, SAE7.5, 1B	1
	A052W684	Coupling Kit, F1, SAE10, 1B	1
	A052W607*	Coupling Kit, F1, SAE11.5, 1B	1
	A054G545#	Coupling Kit, F1, SAE11.5, 1B	1
15	A052V905	Adapter Kit, F1, SAE3, 1B	1
	A053F381	Adapter Kit, F1, SAE4, 1B	1
	A053F383	Adapter Kit, F1, SAE5, 1B	1
16*	A052X629	Foot Kit, F1, Bolt-On, 160.0C/H	1
17*	A054H863	Kit, Adpt Sprs, F1 SAE3 1B, IP23	1
17#	A054H889	Kit, Adpt Sprs, F1 SAE4 1B, IP23	1
17**	A054H900	Kit, Adpt Sprs, F1 SAE5 0B, IP23	1
18	A052H908	Panel, Term Encl, F1, SD, IP23	1
19	A053L670	Htr, Cart, 45.0W, 12VAC, 0VDC	1
	A053L675	Htr, Cart, 45.0W, 24VAC, 0VDC	1
	A053L677	Htr, Cart, 45.0W, 115VAC, 0VDC	1
	A053L678	Htr, Cart, 45.0W, 230VAC, 0VDC	1
20	A054K286	Kit, Htr, F1, 12V	1
	A054K288	Kit, Htr, F1, 24V	1
	A054K290	Kit, Htr, F1, 115V	1
	A054K292	Kit, Htr, F1, 230V	1
21*	A051L176	Spacer, BK, Steel S275-Black, 0.	4
	4*	Exciter Stator 25 MM (F,G,K)	
	4#	Exciter Stator 30 MM (M)	
	4**	Exciter Stator 34 MM (P,U)	
	5*	Exciter Rotor 25 MM (F,G,K)	
	5#	Exciter Rotor 30 MM (M)	
	5**	Exciter Rotor 34 MM (P,U)	
	8*	Terminal Board Kit (1 and 3 Phase)	
	14*	Coupling Kit SAE 11.5 (3 MM x 1 CD)	
	14#	Coupling Kit SAE 11.5 (1.2 MM x 4 CD)	
	16*	Generator Base Plate (Foot Plates Only) Kit	
	17*	DE Screen SAE 3	
	17#	DE Screen SAE 4	
	17**	DE Screen SAE 5	

Item	Part No.	Description	Qty
	21*	20 mm Height Spacer Block	

-

This page is intentionally blank.

9 S1L2 - 1 Bearing

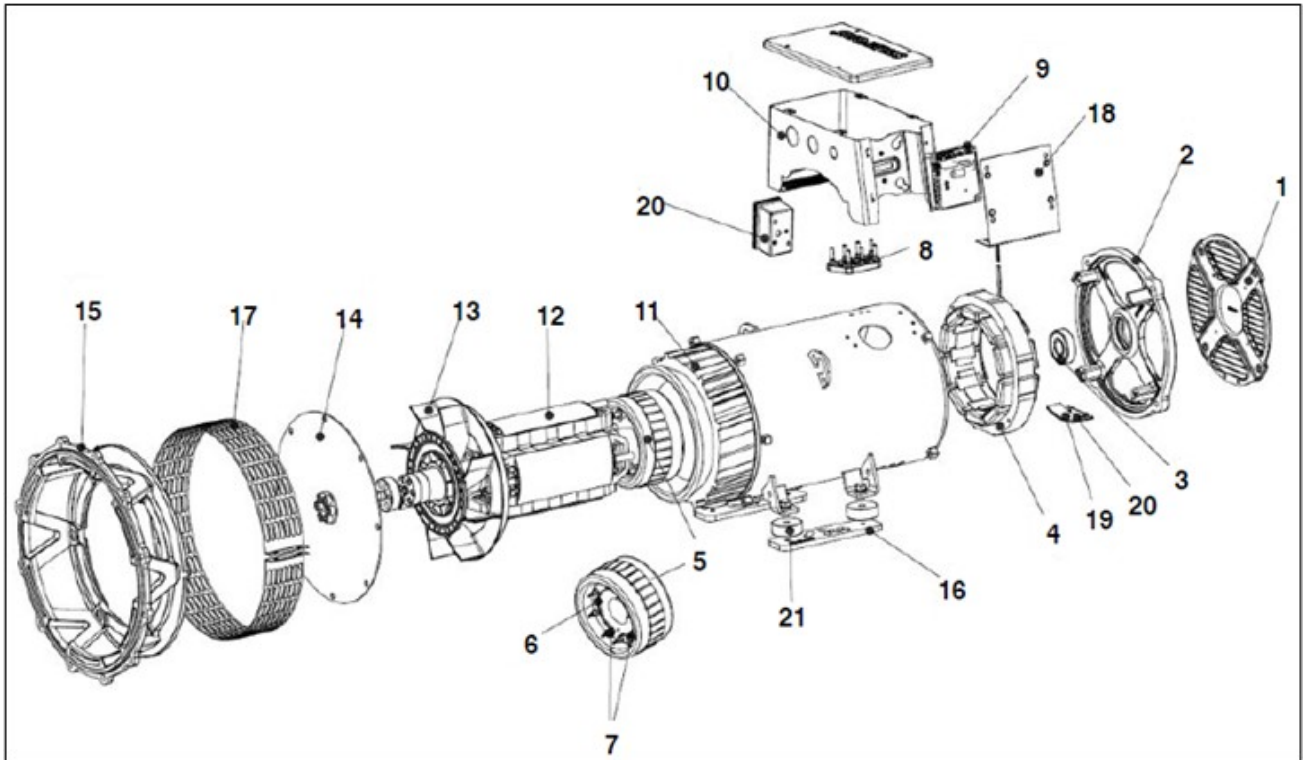


FIGURE 8. S1L2 - 1 BEARING PARTS DRAWING

TABLE 10. S1L2 - 1 BEARING PARTS LIST

Item	Part No.	Description	Qty
1	A052E494	Cover, End	1
2	A051P107	Brkt, End, F1, NDE	1
3	45-0866	P0 Bearing Kit P0	1
4*	A051L226	Str, Exc, 38.0	1
4#	A051L227	Str, Exc, 45.0	1
4**	A053F533	Str, Exc, 55.0	1
5*	191-1064	P1 Wnd Ex Rtr 38 MM	
5#	A051L228	Rtr, Exc, 45.0	1
5**	A053F505	Rtr, Exc, 55.0	1
6	45-0427	BC ROT'G Rectifier Spares Kit	1
7	RSK-1101	BC1 Rectifier Service Kit	1
8*	A054X535	Kit, Term, F1, Term Brd Conver	1
9	A059F437	Kit, Regn Ctrl Mdl, AS540	1
10	A052X197	Term Encl, F1, IP23	
11	QMSN	Wound Main Stator with Frame Assembly	1
12	QMSN	Wound Main Rotor with Complete Assembly	1

Item	Part No.	Description	Qty
13	A057R342	Fan, F0, 1, CTRF350	1
14	A052W687*	Coupling Kit, F1, SAE10, 1B (SAE 3 Adap / 1.2 MM DISC)	1
	A053G584**	Coupling Kit, F1, SAE10, 1B (SAE 3 Adap / 1.5 MM DISC)	1
	A056L900***	Coupling Kit, F1, SAE10, 1B (SAE 4 Adap / 1.2 MM DISC)	1
	A056L902****	Coupling Kit, F1, SAE10, 1B (SAE 4 Adap / 1.5 MM DISC)	1
	A052W630#	Coupling Kit, F1, SAE11.5, 1B (SAE 3 Adap / 1.2 MM DISC)	1
	A053G582##	Coupling Kit, F1, SAE11.5, 1B (SAE 3 Adap / 1.5 MM DISC)	1
	A059B967	Coupling Kit, F1, SAE7.5, 1B (1.2X4)	1
15	A052T358	Adapter Kit, F1, SAE3, 1B	1
	A053F333	Adapter Kit, F1, SAE4, 1B	1
16*	A052X631	Foot Kit, F1, Bolt-On, 180.0C/H	1
17*	A054X974	Kit, Adpt Sprs, F1 SAE3 1B, IP23	1
18	A052J157	Panel, Term Encl, F1, SD, IP23	1
19	A056F851	Htr, Cart, 80.0W, 12VAC, 0VDC	1
	A056F858	Htr, Cart, 80.0W, 24VAC, 0VDC	1
	A056F859	Htr, Cart, 80.0W, 115VAC, 0VDC	1
	A056F860	Htr, Cart, 80.0W, 230VAC, 0VDC	1
20	A054K294	Kit, Htr, F1, 12V	1
	A054K297	Kit, Htr, F1, 24V	1
	A054K299	Kit, Htr, F1, 115V	1
	A054K301	Kit, Htr, F1, 230V	1
21*	A051L177	Spacer, BK, 0.0	4
21**	A051L176	Spacer, BK, Steel S275-Black, 0.	4
	4*	Exciter Stator 38 MM (J,K,G,H)	
	4#	Exciter Stator 45 MM (N,R)	
	4**	Exciter Stator 55 MM (Y)	
	5*	Exciter Rotor 38 MM (J,K,G,L)	
	5#	Exciter Rotor 45 MM (N,R)	
	5**	Exciter Rotor 55 MM (Y)	
	8*	Terminal Board Kit (1 and 3 Phase)	
	14*	Coupling Kit SAE 10 (1.2 MM x 4 CD)	
	14**	Coupling Kit SAE 10 (1.5 MM x 3 CD)	
	14***	Coupling Kit SAE 10 (1.2 MM x 4 CD)	

Item	Part No.	Description	Qty
	14****	Coupling Kit SAE 10 (1.5 MM x 3 CD)	
	14#	Coupling Kit SAE 11.5 (1.2 MM x 4 CD)	
	14##	Coupling Kit SAE 11.5 (1.5 MM x 3 CD)	
	16*	Generator Base Plate (Foot Plates Only) Kit	
	17*	DE Screen SAE 3, SAE 4	
	21*	45 mm Height Spacer Block	
	21**	20 mm Height Spacer Block	

-

This page is intentionally blank.

10 UCD22 - 1 Bearing

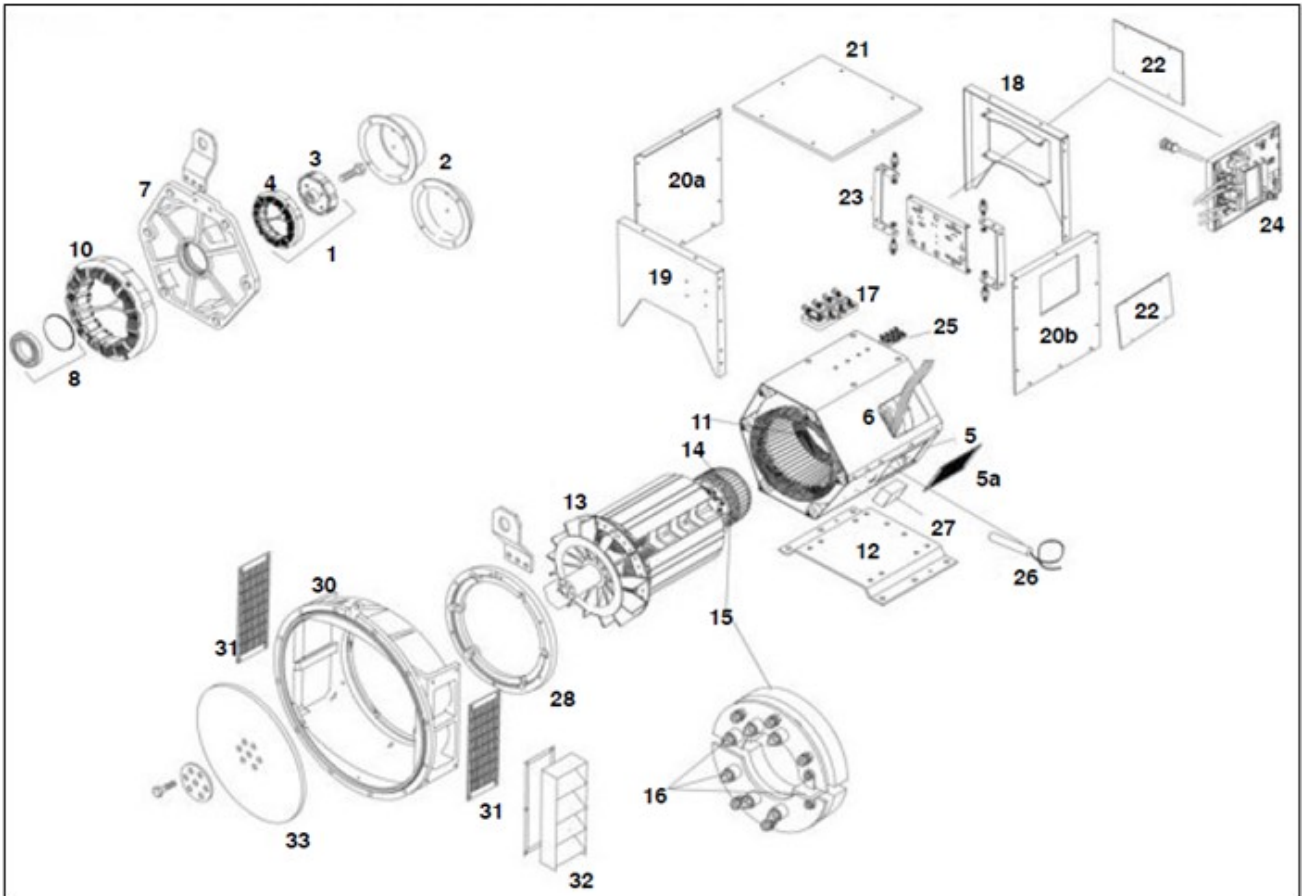


FIGURE 9. UCD22 - 1 BEARING PARTS DRAWING

TABLE 11. UCD22 - 1 BEARING PARTS LIST

Item	Part No.	Description	Qty
1	45-0075A	Complete PMG upfit kit	1
2	450-14360	PMG Cover (Cover included in above kit)	1
	450-14450	NON PMG Cover	1
3	45-1080	Current PMG Rotor/Stator Repair Kit	1
4	45-1080	Current PMG Rotor/Stator Repair Kit	1
5	230-10340	Main stator bottom cover C-D (to 6/12/12)	1
	230-10341	Main stator bottom cover E-F (to 6/12/12)	1
	230-10342	Main stator bottom cover G (to 6/12/12)	1
5a	230-10054	Air inlet cover	2
6	230-10336	Main stator top cover C-D (to 6/12/12)	1
	230-10337	Main stator top cover E-F (to 6/12/12)	1
	230-10338	Main stator top cover G (to 6/12/12)	1
7	230-10002	NDE Bracket	1

Item	Part No.	Description	Qty
8	45-0867	NDE Bearing Kit	1
10	230-1495	Exciter stator C & D (30mm)	1
	A052B581	Exciter stator C & D (30mm) Severe Environmental	1
	230-1497	Exciter stator E, F & G (40mm)	1
	A052B588	Exciter stator E, F & G (40mm) Severe Environmental	1
11	QMSN	Main stator bar assy	1
12	230-10270	Foot (to 6/12/12)	1
13	QMSN	Main rotor assy	1
14	210-1036	Exciter Rotor C & D (30mm)	1
	210-1037	Exciter Rotor E, F & G (40mm)	1
15	45-0428	Rotating rectifier assy	1
16	RSK-2001	Diode Fwd/Rev & Varistor Kit	1
17	450-15617	Main terminal board 8 Pin	1
	230-10624	Main terminal board 7 Pin	1
18	230-10566	Terminal box end panel NDE (Aperture)	1
	230-10587	Terminal box end panel NDE (Plain)	1
19	230-10565	Terminal box end panel DE (Plain)	1
	230-10599	Terminal box end panel DE (Aperture)	1
20a	230-10567	Terminal box side panel (Left hand) (Plain)	1
	230-10573	Terminal box side panel (Left hand) (Aperture)	1
	230-10578	Terminal box side panel (Left hand) (Plain) (Air Filter)	1
20b	230-10575	Terminal box side panel (Right hand) (Plain)	1
	230-10568	Terminal box side panel (Right hand) (Aperture)	1
	230-10569	Terminal box side panel (Right hand) (Plain) (Air Filter)	1
21	230-10069	Terminal box lid	1
22	450-14310	AVR Cover plate to (28/11/04)	1
	410-10536	AVR Cover plate from (28/11/04)	1
23	45-0742	AVR Mounting bracket	1
24	E000-23412/1P	AVR MX341 (Standard Series 3)	1
	E000-23408/1P	AVR MX341 UL	1
	E000-23212/1P	AVR MX321 (Series 3)	1
	E000-23215/1P	AVR MX321 UL	1
	E000-24403/1P	AVR AS440 (Standard Series 4)	1
	E000-24408/1P	AVR AS440 UL Approved	1
	E000-24403/1P	AVR AS440	1
	E000-24408/1P	AVR AS440 UL	1

Item	Part No.	Description	Qty
	E000-24210/1P	AVR SX421	1
25	450-15489	6 Way Terminal block	2
26	45-0118	Heater 110-125 Volt	1
	A053N107	Heater 110-125 Volt UL Cert	1
	A040G630	Heater Kit 110-125 V to incl term box for retro	1
	A053X265	Heater Kit 110-125 V to incl term box for retro UL Cert	1
	45-0117	Heater 220-260 Volt	1
	A053N108	Heater 220-260 Volt UL Cert	1
	A040G622	Heater Kit 220-260 V to incl term box for retro	1
	A053X267	Heater Kit 220-260 V to incl term box for retro UL Cert	1
27	45-0024	Terminal box for heaters	1
28	230-10272	DE Adaptor ring	1
30	45-0850	Adaptor Kit SAE 3	1
31	230-10457	DE Screen	2
32	45-0807	Louvre Kit	1
33	45-0839	Couplng Kit SAE 10	1
	45-0840	Coupling Kit SAE 11.5	1
<p>NOTE: If the first position of the alternator serial number is M, the replacements for the rotor and stator are no longer available. Please contact the factory Technical Support for more information.</p>			

-

This page is intentionally blank.

11 UCD27 - 1 Bearing

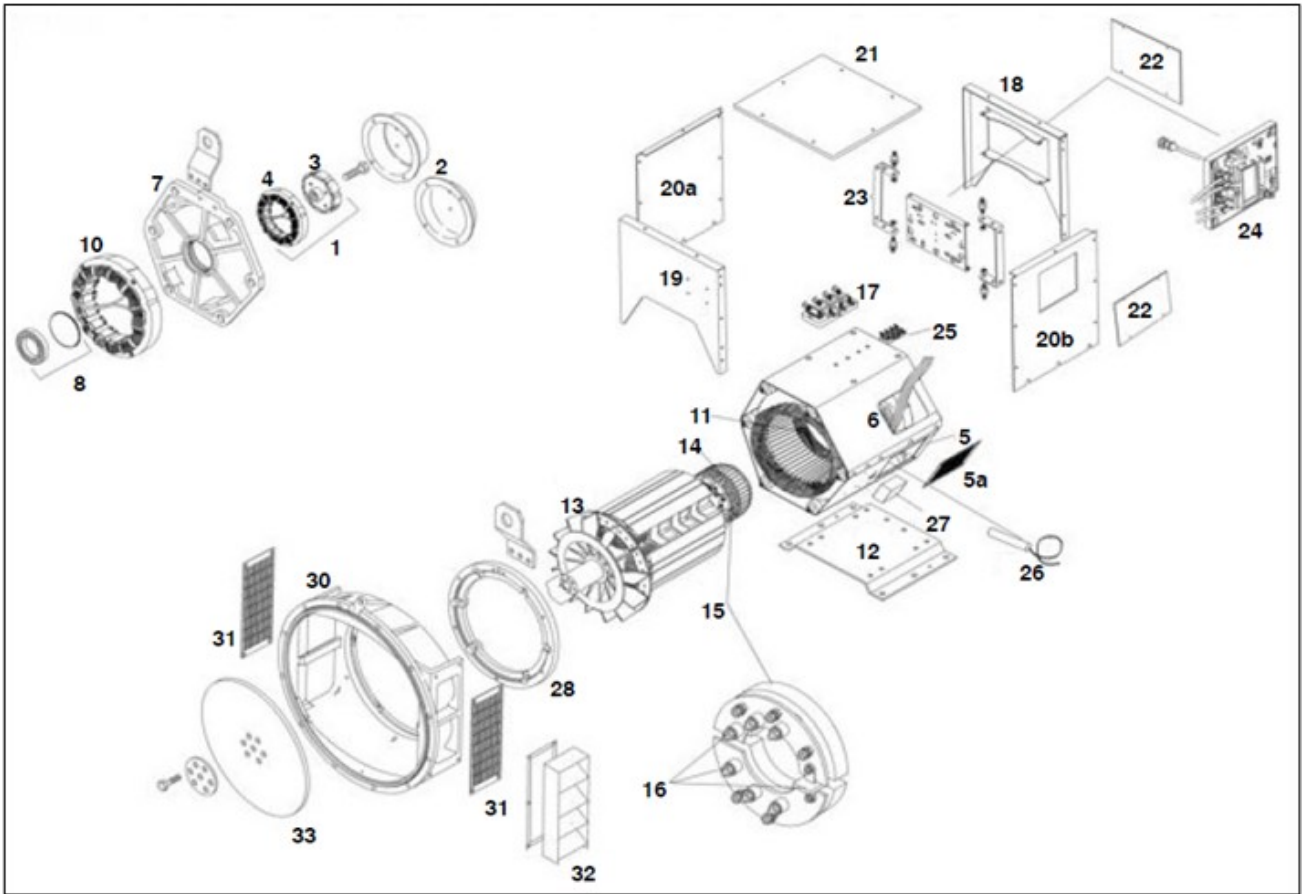


FIGURE 10. UCD27 - 1 BEARING PARTS DRAWING

TABLE 12. UCD27 - 1 BEARING PARTS LIST

Item	Part No.	Description	Qty
1	45-0075A	Complete PMG upfit kit	1
2	450-14360	PMG Cover (Cover included in above kit)	1
	450-14450	NON PMG Cover	1
3	45-1080	Current PMG Rotor/Stator Repair Kit	1
4	45-1080	Current PMG Rotor/Stator Repair Kit	1
5	330-10390	Main stator bottom cover J-K	1
5a	330-10020	Air inlet cover	2
6	330-10385	Main stator top cover J-K	1
7	330-10002	NDE Bracket	1
	330-10258	NDE Bracket (for use with bearing RTD's)	1
8	45-0868	NDE Bearing Kit	1
10	330-1280	Exciter Stator J & K (60mm)	1
	A052B648	Exciter Stator J & K (60mm) Severe Environmental	1

Item	Part No.	Description	Qty
11	QMSN	Main stator bar assy	1
12	330-10137	Foot	1
13	QMSN	Main rotor assy	1
14	310-1028	Exciter Rotor J & K (60mm)	1
15	45-0428	Rotating rectifier assy	1
16	RSK-2001	Diode Fwd/Rev & Varistor Kit	1
17	450-15617	Main terminal board 8 Pin	1
	230-10624	Main terminal board 7 Pin	1
18	330-10602	Terminal box end panel NDE (Access)	1
	330-10622	Terminal box end panel NDE (Plain)	1
	330-10618	Terminal box end panel NDE (Plain) (Low Profile)	1
19	330-10601	Terminal box end panel DE (Plain)	1
	330-10630	Terminal box end panel DE (Access)	1
	330-10634	Terminal box end panel DE (Plain) (Low Profile)	1
	A041H036	Terminal box end panel DE (Aperture) (Low Profile)	1
20a	330-10603	Terminal box side panel (Left hand) (Plain) & ENC500	1
	330-10617	Terminal box side panel (Left hand) (Access) & ENC500	1
	330-10605	Terminal box side panel (Left hand) (Airfilter) & ENC500	1
	330-10600	Terminal box side panel (Left hand) (Low profile)	1
	330-10613	Terminal box side panel (Vent) (Plain) (Left hand) & ENC500 J-K Core	1
	330-10620	Terminal box side panel (Vent) (Aperture) (Left hand) & ENC500 J-K Core	1
	330-10611	Terminal box side panel (Vent) (Glandplate) (Left hand) & ENC500 J-K Core	1
20b	330-10609	Terminal box side panel (Right hand) (Plain) & ENC500	
	330-10615	Terminal box side panel (Right hand) (Airfilter) & ENC500	1
	330-10606	Terminal box side panel (Right hand) (Airfilter) (Aperture) & ENC500	1
	330-10636	Terminal box side panel (Right hand) (Aperture) (Low profile)	1
	330-10614	Terminal box side panel (Vent) (Plain) (Right hand) & ENC500 J-K Core	1
	330-10612	Terminal box side panel (Vent) (Aperture) (Right hand) & ENC500 J-K Core	1
21	330-10069	Terminal box lid	1
22	450-14310	AVR Cover plate to (28/11/04)	1

Item	Part No.	Description	Qty
	410-10536	AVR Cover plate from (28/11/04)	1
23	45-0742	AVR Mounting bracket	1
24	E000-23412/1P	AVR MX341 (Standard Series 3)	1
	E000-23408/1P	AVR MX341 UL	1
	E000-23212/1P	AVR MX321 (Series 3)	1
	E000-23215/1P	AVR MX321 UL	1
	E000-24403/1P	AVR AS440 (Standard Series 4)	1
	E000-24408/1P	AVR AS440 UL Approved	1
	E000-24403/1P	AVR AS440	1
	E000-24408/1P	AVR AS440 UL	1
	E000-24210/1P	AVR SX421	1
25	450-15489	6 Way Terminal block	2
26	45-0118	Heater 110-125 Volt	1
	A053N107	Heater 110-125 Volt UL Cert	1
	A040G630	Heater Kit 110-125 V to incl term box for retro	1
	A053X265	Heater Kit 110-125 V to incl term box for retro UL Cert	1
	45-0117	Heater 220-260 Volt	1
	A053N108	Heater 220-260 Volt UL Cert	1
	A040G622	Heater Kit 220-260 V to incl term box for retro	1
	A053X267	Heater Kit 220-260 V to incl term box for retro UL Cert	1
27	45-0024	Terminal box for heaters	1
30	A062B089	Adaptor Kit SAE 3	1
	45-0851	Adaptor Kit SAE 2	1
	45-0852	Adaptor Kit SAE 1	1
31	330-10522	DE Screen	2
32	45-0855	Louvre Kit	1
33	45-0768	Coupling Kit SAE 11.5	1
	45-0766	Coupling Kit SAE 14	1
	A062B091	Coupling Kit SAE 11.5 For SAE 3 (1.2mm)	1
<p>NOTE: If the first position of the alternator serial number is M, the replacements for the rotor and stator are no longer available. Please contact the factory Technical Support for more information.</p>			

-

This page is intentionally blank.

12 UCI224 - 1 Bearing

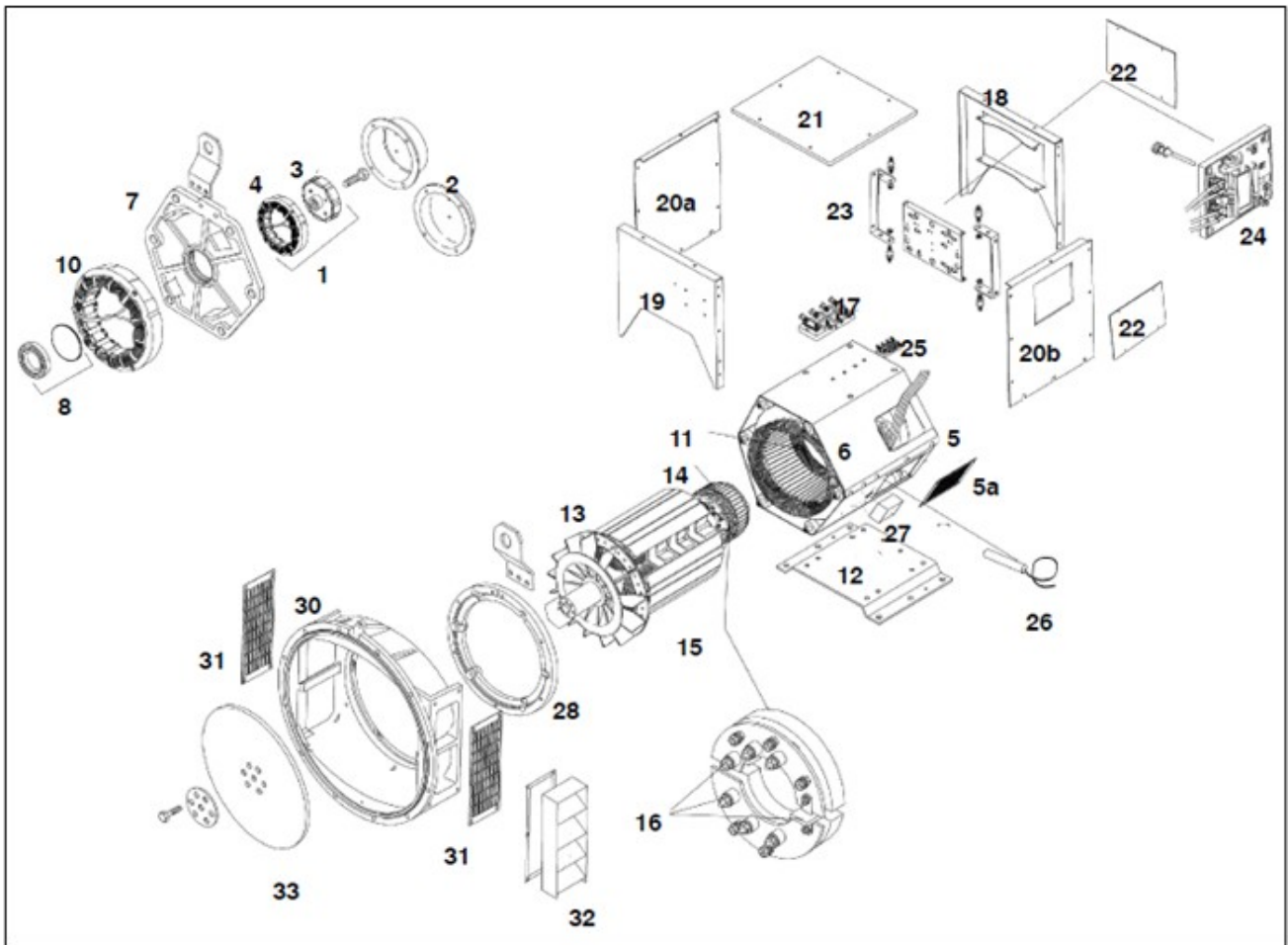


FIGURE 11. UCI224 - 1 BEARING PARTS DRAWING

TABLE 13. UCI224 - 1 BEARING PARTS LIST

Item	Part No.	Description	Qty
1	45-0075A	Complete PMG upfit kit	1
2	450-14360	PMG Cover (Cover included in above kit)	1
	450-14450	NON PMG Cover	1
3	45-1080	Current PMG rotor/stator repair kit	1
4	45-1080	Current PMG rotor/stator repair kit	1
5	230-10340	Main stator bottom cover C-D	1
	230-10341	Main stator bottom cover E-F	1
	230-10342	Main stator bottom cover G	1
5a	230-10054	Air inlet cover	2
6	230-10336	Main stator top cover C-D	1
	230-10337	Main stator top cover E-F	1
	230-10338	Main stator top cover G	1

Item	Part No.	Description	Qty
7	230-10002	NDE Bracket	1
8	45-0867	NDE Bearing kit	1
10	230-1495	Exciter stator C & D 30mm	1
	230-1497	Exciter stator E F & G 40mm	1
	A052B581	Exciter stator C & D 30mm Severe Environmental	1
	A052B588	Exciter stator E F & G 40mm Severe Environmental	1
11	QMSN	Main stator bar assy	1
12	230-10270	Foot	1
13	QMSN	Main rotor assy	2
14	210-1036	Exciter rotor C - D 30mm	1
	210-1037	Exciter rotor E - G 40mm	1
15	45-0428	Rotating rectifier assy	1
16	RSK-2001	Diode fwd/rev & varistor kit	1
17	450-15617	Main Terminal Board 8 Pin	1
	230-10624	Main Terminal Board 7 Pin	1
18	230-10566	Terminal box end panel NDE (access)	1
	230-10587	Terminal box end panel NDE (plain)	1
	230-10571	Terminal box end panel NDE (plain) low/profile	1
19	230-10565	Terminal box end panel DE (plain)	1
	230-10599	Terminal box end panel DE (access)	1
	A041H349	Terminal box end panel DE (plain) low/profile	1
20a	230-10567	Terminal box side panel (left hand)	1
	230-10573	Terminal box side panel (access)	1
	230-10574	Terminal box side panel lh (plain) low profile	1
20b	230-10575	Terminal box side panel (right hand)	2
	230-10568	Terminal box side panel (access)	1
	230-10583	Terminal box side panel rh (plain) low profile	1
	230-10580	Terminal box side panel (rh series 5 trans)	1
	230-10627	Terminal box side panel (access no pfc)	1
21	230-10069	Terminal box lid	1
22	450-14310	AVR Cover plate to (28/11/04)	
	410-10536	AVR Cover plate from (28/11/04)	
23	45-0742	AVR Mounting bracket	1
24	E000-23412/1P	AVR MX341 (Standard Series 3)	1
	E000-23408/1P	AVR MX341 UL	1
	E000-23212/1P	AVR MX321 (Series 3)	1

Item	Part No.	Description	Qty
	E000-23215/1P	AVR MX321 UL	1
	E000-24403/1P	AVR AS440 (Standard Series 4)	1
	E000-24408/1P	AVR AS440 UL Approved	1
	E000-24403/1P	AVR AS440	1
	E000-24408/1P	AVR AS440 UL	1
	E000-24210/1P	AVR SX421	1
	A062Y338	AVR MX322	1
25	450-15489	6 Way Terminal block	2
26	45-0118	Heater 110-125 volt	1
	A053N107	Heater 110-125 volt UL Cert	1
	A040G630	Heater Kit 110-125 v to incl term box for retro	1
	A053X265	Heater Kit 110-125 v to incl term box for retro UL Cert	1
	45-0117	Heater 220-260 volt	1
	A053N108	Heater 220-260 volt UL Cert	1
	A040G622	Heater Kit 220-260 v to incl term box for retro	1
	A053X267	Heater Kit 220-260 v to incl term box for retro UL Cert	1
27	45-0024	Terminal box for heaters	1
28	230-10001	DE Adaptor ring	1
30	45-0689	DE Adaptor Kit SAE 1	1
	45-0526	DE Adaptor Kit SAE 2	1
	45-0527	DE Adaptor Kitt SAE 3	1
	45-0528	DE Adaptor Kit SAE 4	1
31	See No. 30	DE Screen (Included in Adaptor Kits)	2
32	45-0630	DE Louvre SAE 1 SAE 3 & SAE 4	1
	45-0631	DE Louvre SAE-2	1
33	45-0757	Coupling Kit SAE 8	1
	45-0758	Coupling Kit SAE 10	1
	45-0759	Coupling Kit SAE 11.5	1
	45-0760	Coupling Kit SAE 14	1
	45-0761	Coupling Kit DELCO 15.5	1
	45-0762	Coupling Kit SAE 11.5 (For SAE 1 NEW)	1

-

This page is intentionally blank.

13 UCI224 C to G - 2 Bearing 4 Pole

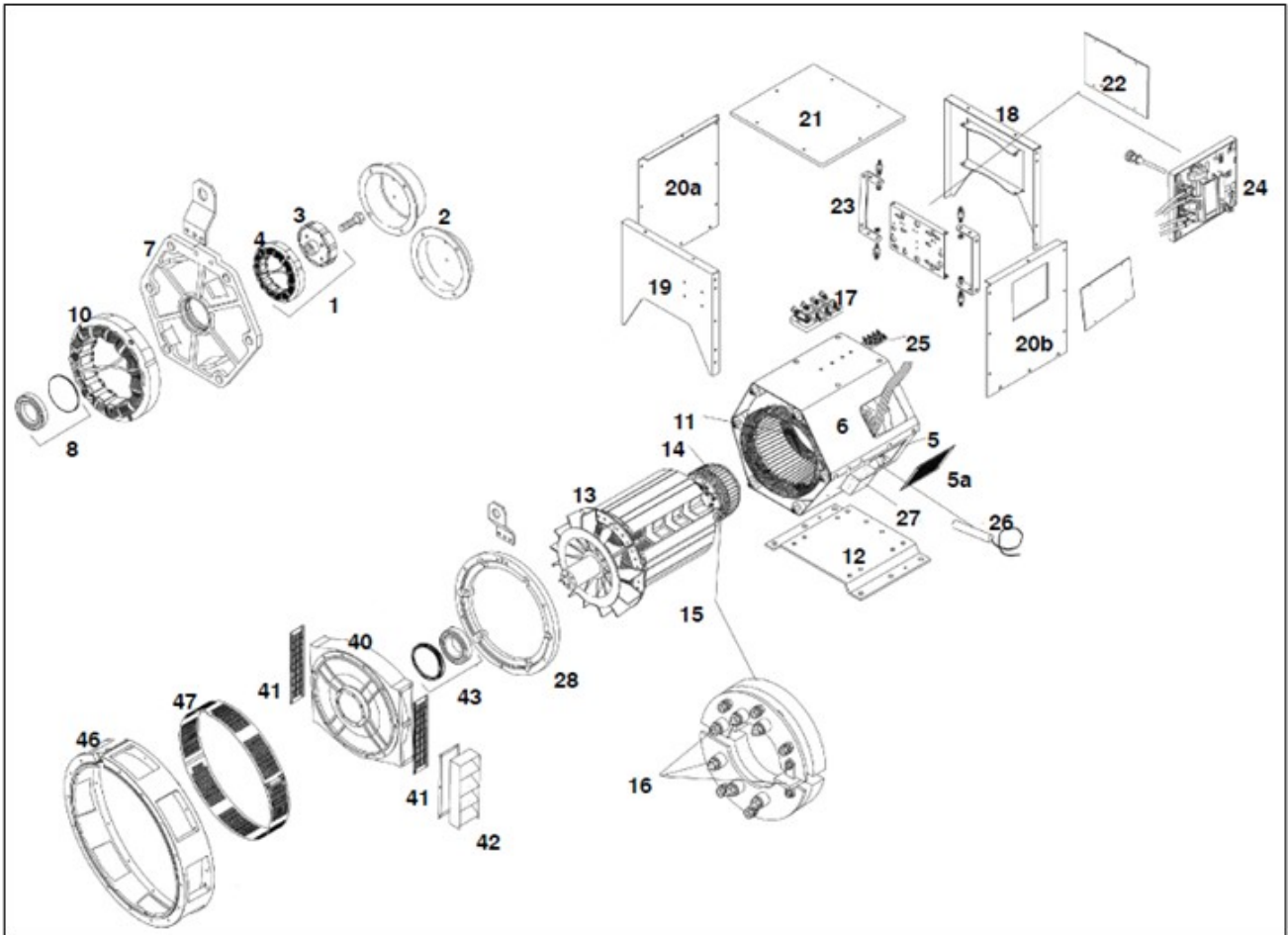


FIGURE 12. UCI224 C TO G - 2 BEARING PARTS DRAWING

TABLE 14. UCI224 C TO G - 2 BEARING PARTS LIST

Item	Part No.	Description	Qty
1	45-0075A	Complete PMG upfit kit	1
2	450-14360	PMG Cover (Cover included in above kit)	1
	450-14450	NON PMG Cover	1
3	45-1080	Current PMG rotor/stator repair kit	1
4	45-1080	Current PMG rotor/stator repair kit	1
5	230-10340	Main stator bottom cover C-D	1
	230-10341	Main stator bottom cover E-F	1
	230-10342	Main stator bottom cover G	1
5a	230-10054	Air inlet cover	2
6	230-10336	Main stator top cover C-D	1
	230-10337	Main stator top cover E-F	1
	230-10338	Main stator top cover G	1

Item	Part No.	Description	Qty
7	230-10002	NDE Bracket	1
8	45-0867	NDE Bearing kit	1
10	A052B581	Exciter stator C & D 30mm Severe Environmental	1
	A052B588	Exciter stator E F & G 40mm Severe Environmental	1
11	QMSN	Main stator bar assy	1
12	230-10270	Foot	1
13	QMSN	Main rotor assy	2
14	210-1036	Exciter rotor C - D 30mm	1
	210-1037	Exciter rotor E - G 40mm	1
15	45-0428	Rotating rectifier assy	1
16	RSK-2001	Diode fwd/rev & varistor kit	1
17	450-15617	Main Terminal board 8 Pin	1
	230-10624	Main Terminal board 7 Pin	1
18	230-10566	Terminal box end panel NDE (access)	1
	230-10587	Terminal box end panel NDE (plain)	1
	230-10571	Terminal box end panel NDE (plain) low/profile	1
19	230-10565	Terminal box end panel DE (plain)	1
	230-10599	Terminal box end panel DE (access))	1
	A041H349	Terminal box end panel DE (plain) low/profile	1
20a	230-10567	Terminal box side panel (left hand)	1
	230-10573	Terminal box side panel (access)	1
	230-10574	Terminal box side panel lh (plain) low profile	1
20b	230-10575	Terminal box side panel (right hand)	2
	230-10568	Terminal box side panel (access)	1
	230-10583	Terminal box side panel rh (plain) low profile	1
	230-10580	Terminal box side panel (rh series 5 trans)	1
	230-10627	Terminal box side panel (access no pfc)	1
21	230-10069	Terminal box lid	1
22	450-14310	AVR Cover plate to (28/11/04)	1
	410-10536	AVR Cover plate from (28/11/04)	1
23	45-0742	AVR Mounting bracket	1
24	E000-23412/1P	AVR MX341 (Standard Series 3)	1
	E000-23408/1P	AVR MX341 UL	1
	E000-23212/1P	AVR MX321 (Series 3)	1
	E000-23215/1P	AVR MX321 UL	1
	E000-24403/1P	AVR AS440 (Standard Series 4)	1

Item	Part No.	Description	Qty
	E000-24408/1P	AVR AS440 UL Approved	1
	E000-24403/1P	AVR AS440	1
	E000-24408/1P	AVR AS440 UL	1
	E000-24210/1P	AVR SX421	1
	A062Y338	AVR MX322	1
25	450-15489	6 Way Terminal block	2
26	45-0118	Heater 110-125 volt	1
	A053N107	Heater 110-125 volt UL Cert	1
	A040G630	Heater Kit 110-125 v to incl term box for retro	1
	A053X265	Heater Kit 110-125 v to incl term box for retro UL Cert	1
	45-0117	Heater 220-260 volt	1
	A053N108	Heater 220-260 volt UL Cert	1
	A040G622	Heater Kit 220-260 v to incl term box for retro	1
	A053X267	Heater Kit 220-260 v to incl term box for retro UL Cert	1
27	45-0024	Terminal box for heaters	1
28	230-10001	DE Adaptor ring	1
40	230-10073	DE Bracket	1
41	210-10121	DE Screen	1
42	45-0632	Louvre	1
43	45-0365	DE Bearing Kit	1
46	45-0529	Adaptor Kit SAE 1	2
	45-0530	Adaptor Kit SAE 2	1
	45-0604	Adaptor Kit SAE 2 (DIN)	1
	45-0531	Adaptor Kit SAE 3	1
	45-0532	Adaptor Kit SAE 4	1
	45-0533	Adaptor Kit SAE 5	1
47	See No.46	Adaptor cover (included in Adaptor kits)	1

-

This page is intentionally blank.

14 UCI274 C to H - 1 Bearing

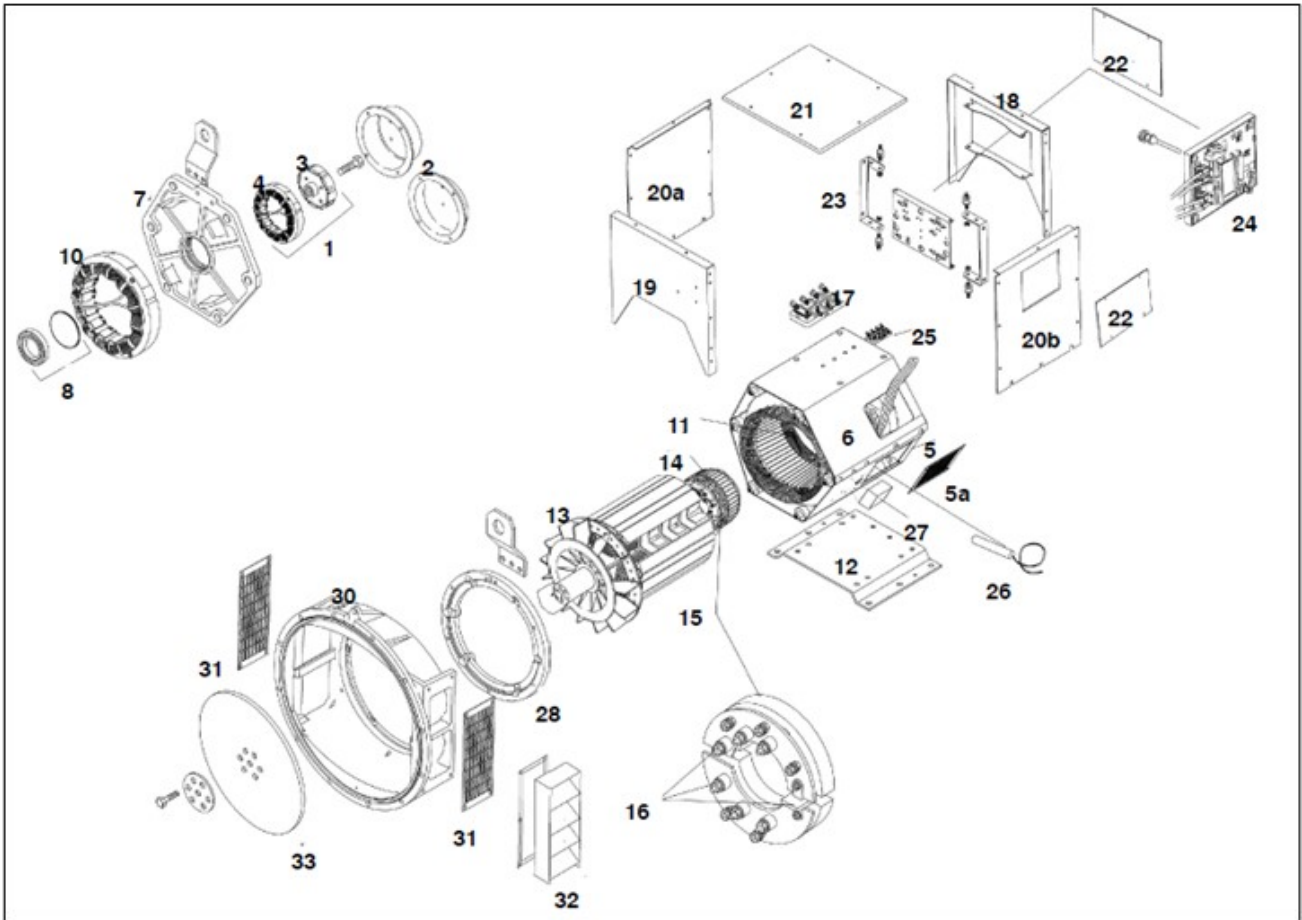


FIGURE 13. UCI274 C TO H - 1 BEARING DRAWING

TABLE 15. UCI274 C TO H - 1 BEARING PARTS LIST

Item	Part No.	Description	Qty
1	45-0075A	Complete PMG upfit kit	1
2	450-14360	PMG Cover (Cover included in above kit)	1
	450-14450	NON PMG Cover	1
3	45-1080	Current PMG rotor/stator repair kit	1
4	45-1080	Current PMG rotor/stator repair kit	1
5	330-10386	Main stator bottom cover C-D	1
	330-10387	Main stator bottom cover E-F	1
	330-10388	Main stator bottom cover G	1
	330-10389	Main stator bottom cover H	1
5a	330-10020	Air inlet cover	2
	330-10099	Air inlet cover (Airfilter)	2
6	330-10381	Main stator top cover C-D	1
	330-10382	Main stator top cover E-F	1

Item	Part No.	Description	Qty
	330-10383	Main stator top cover G	1
6	330-10384	Main stator bottom cover H	1
7	330-10002	NDE Bracket	1
	330-10258	NDE Bracket (for use with Brg RTD's)	
8	45-0868	NDE Bearing kit	1
10	230-1497	Exciter stator C - D (40mm)	1
	330-1280	Exciter stator E - H (60mm)	1
	A052B588	Exciter stator C - D (40mm) Severe Environmental	1
	A052B648	Exciter stator E - H (60mm) Severe Environmental	1
11	QMSN	Main stator bar assy	1
12	330-10137	Foot	1
13	QMSN	Main rotor assy	2
14	210-1037	Exciter rotor C - D 40mm	1
	310-1028	Exciter rotor E - G 60mm	1
15	45-0428	Rotating rectifier assy	1
16	RSK-2001	Diode fwd/rev & varistor kit	1
17	450-15617	Main Terminal board 8 Pin	1
	230-10624	Main Terminal board 7 Pin	1
18	330-10622	Terminal box end panel NDE (Plain) & ENC500	1
	330-10602	Terminal box end panel NDE (Access) & ENC500	1
	330-10634	Terminal box end panel NDE (Plain) (Low Profile)	1
19	330-10601	Terminal box end panel DE (Plain) & ENC500	1
	330-10630	Terminal box end panel DE (Access)	1
	330-10634	Terminal box end panel DE(Plain) (Low Profile)	1
20a	330-10603	Terminal box side panel (Left hand) (Plain) & ENC500	1
	330-10617	Terminal box side panel (Left hand) (Access) & ENC500	1
	330-10605	Terminal box side panel (Left hand) (Airfilter) & ENC500	1
	330-10600	Terminal box side panel (Left hand) (Low Profile)	1
	330-10613	Terminal box side panel (Vent) (Plain) (Left hand) & ENC500 J-K Core only	1
	330-10620	Terminal box side panel (Vent) (Aperture) (Left hand) & ENC500 J-K Core only	1
	330-10611	Terminal box side panel (Vent) (Glandplate (Left hand) & ENC500 J-K Core only	1
	330-10615	Terminal box side panel (Right Hand) (Airfilter) & ENC500	1

Item	Part No.	Description	Qty
	330-10606	Terminal box side panel (Right Hand) (Airfilter) (Aperture) & ENC500	1
	330-10636	Terminal box side panel (Right Hand) (Aperture)) (Low Profile)	1
	330-10614	Terminal box side panel (Vent) (Plain) (Right Hand) & ENC500 J-K Core only	1
	330-10612	Terminal box side panel (Vent) (Aperture) (Right Hand) & ENC500 J-K Core only	1
21	330-10069	Terminal box lid	1
22	450-14310	AVR Cover plate to (28/11/04)	1
	410-10536	AVR Cover plate from (28/11/04)	1
23	45-0742	AVR Mounting bracket	1
24	E000-23412/1P	AVR MX341 (Standard Series 3)	1
	E000-23408/1P	AVR MX341 UL	1
	E000-23212/1P	AVR MX321 (Series 3)	1
	E000-23215/1P	AVR MX321 UL	1
	E000-24403/1P	AVR AS440 (Standard Series 4)	1
	E000-24408/1P	AVR AS440 UL Approved	1
	E000-24403/1P	AVR AS440	1
	E000-24408/1P	AVR AS440 UL	1
	E000-24210/1P	AVR SX421	1
	A062Y338	AVR MX322	1
25	450-15489	6 way Terminal block	2
26	45-0118	Heater 110-125 VOLT	1
	A053N107	Heater 110-125 VOLT UL Cert	1
	A040G630	Heater Kit 110-125 v to incl term box for retro	1
	A053X265	Heater Kit 110-125 v to incl term box for retro UL Cert	1
	45-0117	Heater 220-260 VOLT	1
	A053N108	Heater 220-260 VOLT UL Cert	1
	A040G622	Heater kit 220-260 v to incl term box for retro	1
	A053X267	Heater kit 220-260 v to incl term box for retro UL Cert	1
27	45-0024	Terminal box for heaters	1
28	330-10001	DE Adaptor ring	1
30	45-0690	DE Adaptor Kit SAE 1	1
	45-0520	DE Adaptor Kit SAE 2	1
	45-0521	DE Adaptor Kit SAE 3	1
31	310-10400	DE Screen (Included in Adaptor Kits)	1
32	45-0633	DE Louvre	1

Item	Part No.	Description	Qty
33	45-0764	Coupling Kit SAE 10	1
	45-0765	Coupling Kit SAE 11.5	1
	45-0766	Coupling Kit SAE 14	1
	45-0767	Coupling Kit DELCO 17.75	1
	45-0768	Coupling Kit SAE 11.5 (For SAE 1 New)	1

15 UCI274 C to H - 2 Bearing 4 Pole

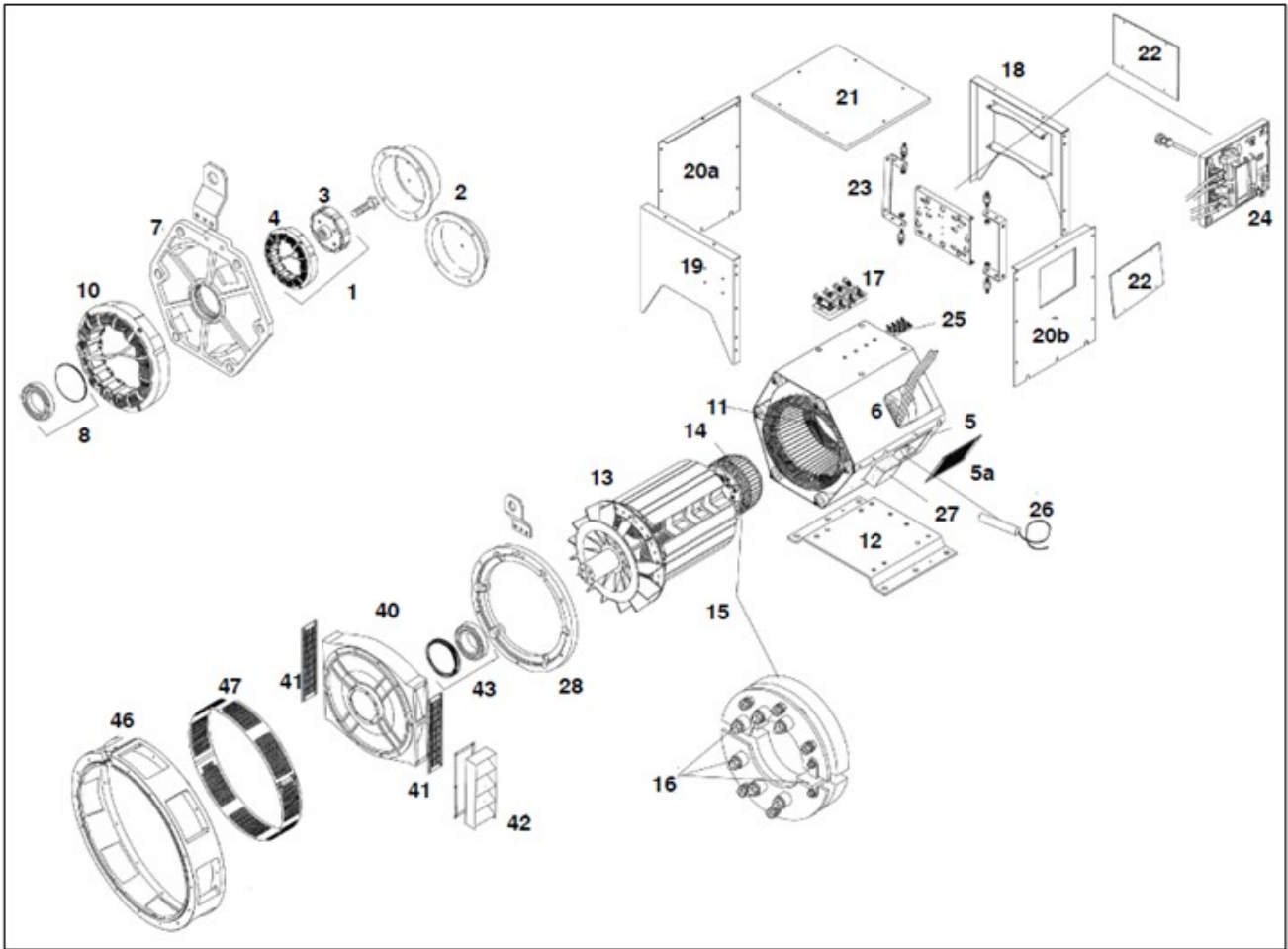


FIGURE 14. UCI274 C TO H - 2 BEARING 4 POLE PARTS DRAWING

TABLE 16. UCI274 C TO H - 2 BEARING 4 POLE PARTS LIST

Item	Part No.	Description	Qty
1	45-0075A	Complete PMG upfit kit	1
2	450-14360	PMG Cover (Cover included in above kit)	1
	450-14450	NON PMG Cover	1
3	45-1080	Current PMG rotor/stator repair kit	1
4	45-1080	Current PMG rotor/stator repair kit	1
5	330-10386	Main stator bottom cover C-D	1
	330-10387	Main stator bottom cover E-F	1
	330-10388	Main stator bottom cover G	1
	330-10389	Main stator bottom cover H	1
5a	330-10020	Air inlet cover	2
	330-10099	Air inlet cover (Airfilter)	2
6	330-10381	Main stator top cover C-D	1

Item	Part No.	Description	Qty
	330-10382	Main stator top cover E-F	1
	330-10383	Main stator top cover G	1
	330-10384	Main stator top cover H	1
7	330-10002	NDE Bracket	1
	330-10258	NDE Bracket (For use with Brg RTD's)	
8	45-0868	NDE Bearing kit	1
10	230-1497	Exciter stator C - D (40mm)	1
	330-1280	Exciter stator E - H (60mm)	1
	A052B588	Exciter stator C - D (40mm) Severe Environmental	1
	A052B648	Exciter stator E - H (60mm) Severe Environmental	1
11	QMSN	Main stator bar assy	1
12	330-10137	Foot	1
13	QMSN	Main rotor assy	2
14	210-1037	Exciter rotor C - D 40mm	1
	310-1028	Exciter rotor E - G 60mm	1
15	45-0428	Rotating rectifier assy	1
16	RSK-2001	Diode fwd/rev & varistor kit	1
17	450-15617	Main Terminal board 8 Pin	1
	230-10624	Main Terminal board 7 Pin	1
18	330-10622	Terminal box end panel NDE (Plain) & ENC500	1
	330-10602	Terminal box end panel NDE (Access) & ENC500	1
	330-10618	Terminal box end panel NDE (Plain) (Low Profile)	1
19	330-10601	Terminal box end panel DE (Plain) & ENC500	1
	330-10630	Terminal box end panel DE (Access)	1
	330-10634	Terminal box end panel DE (Plain) (Low Profile)	1
	A041H036	Terminal box end panel DE (Aperture) (Low Profile)	1
20a	330-10603	Terminal box end panel (Left hand) (Plain) & ENC500	1
	330-10617	Terminal box end panel (Left hand) (Access) & ENC500	1
	330-10605	Terminal box side panel (Left hand) (Airfilter) & ENC500	1
	330-10600	Terminal box side panel (Left hand) (Low Profile)	1
	330-10613	Terminal box side panel (Vent) (Plain) (Left hand) & ENC500 J-K Core Only	1
	330-10620	Terminal box side panel (Vent) (Aperture) (Left hand) & ENC500 J-K Core Only	1
	330-10611	Terminal box side panel (Vent) (Glandplate) (Left hand) & ENC500 J-K Core Only	1

Item	Part No.	Description	Qty
20b	330-10609	Terminal box side panel (Right Hand) (Plain) & ENC500	
	330-10615	Terminal box side panel (Right Hand) (Airfilter) & ENC500	1
	330-10606	Terminal box side panel (Right Hand) (Airfilter)(Aperture) & ENC500	1
	330-10636	Terminal box side panel (Right Hand)(Airfilter) (Low Profile)	1
	330-10614	Terminal box side panel (Vent) (Plain) (Right Hand) & ENC500 J-K Core Only	1
	330-10612	Terminal box side panel (Vent) (Aperture) (Right Hand) & ENC500 J-K Core Only	1
21	330-10069	Terminal box lid	1
22	450-14310	AVRCover plate to (28/11/04)	1
	410-10536	AVR Cover plate from (28/11/04)	1
23	45-0742	AVR Mounting bracket	1
24	E000-23412/1P	AVR MX341 (Standard Series 3)	1
	E000-23408/1P	AVR MX341 UL	1
	E000-23212/1P	AVR MX321 (Series 3)	1
	E000-23215/1P	AVR MX321 UL	1
	E000-24403/1P	AVR AS440 (Standard Series 4)	1
	E000-24408/1P	AVR AS440 UL Approved	1
	E000-24403/1P	AVR AS440	1
	E000-24408/1P	AVR AS440 UL	1
	E000-24210/1P	AVR SX421	1
	A062Y338	AVR MX322	1
25	450-15489	6 Way Terminal block	2
26	45-0118	Heater 110-125 VOLT	1
	A053N107	Heater 110-125 VOLT UL Cert	1
	A040G630	Heater Kit 110-125 v to incl term box for retro	1
	A053X265	Heater Kit 110-125 v to incl term box for retro UL Cert	1
	45-0117	Heater 220-260 volt	1
	A053N108	Heater 220-260 volt UL Cert	1
	A040G622	Heater Kit 220-260 v to incl term box for retro	1
	A053X267	Heater Kit 220-260 v to incl term box for retro UL Cert	1
27	45-0024	Terminal box for heaters	1
28	330-10001	DE Adaptor ring	1
40	330-10076	DE Bracket	1
41	310-10049	DE Screen	2

Item	Part No.	Description	Qty
42	45-0634	Louvre	1
43	45-0367	DEBearing kit	1
46	45-0522	Adaptor Kit SAE 1	1
	45-0523	Adaptor Kit SAE 2	1
	45-0524	Adaptor Kit SAE 3	1
	45-0863	Adaptor Kit DIN 1	1
	45-0912	Adaptor Kit DIN 2	1
47	See No.46	Adaptor cover (Included in Adaptor Kits)	1

16 HC434 C to F - 1 Bearing

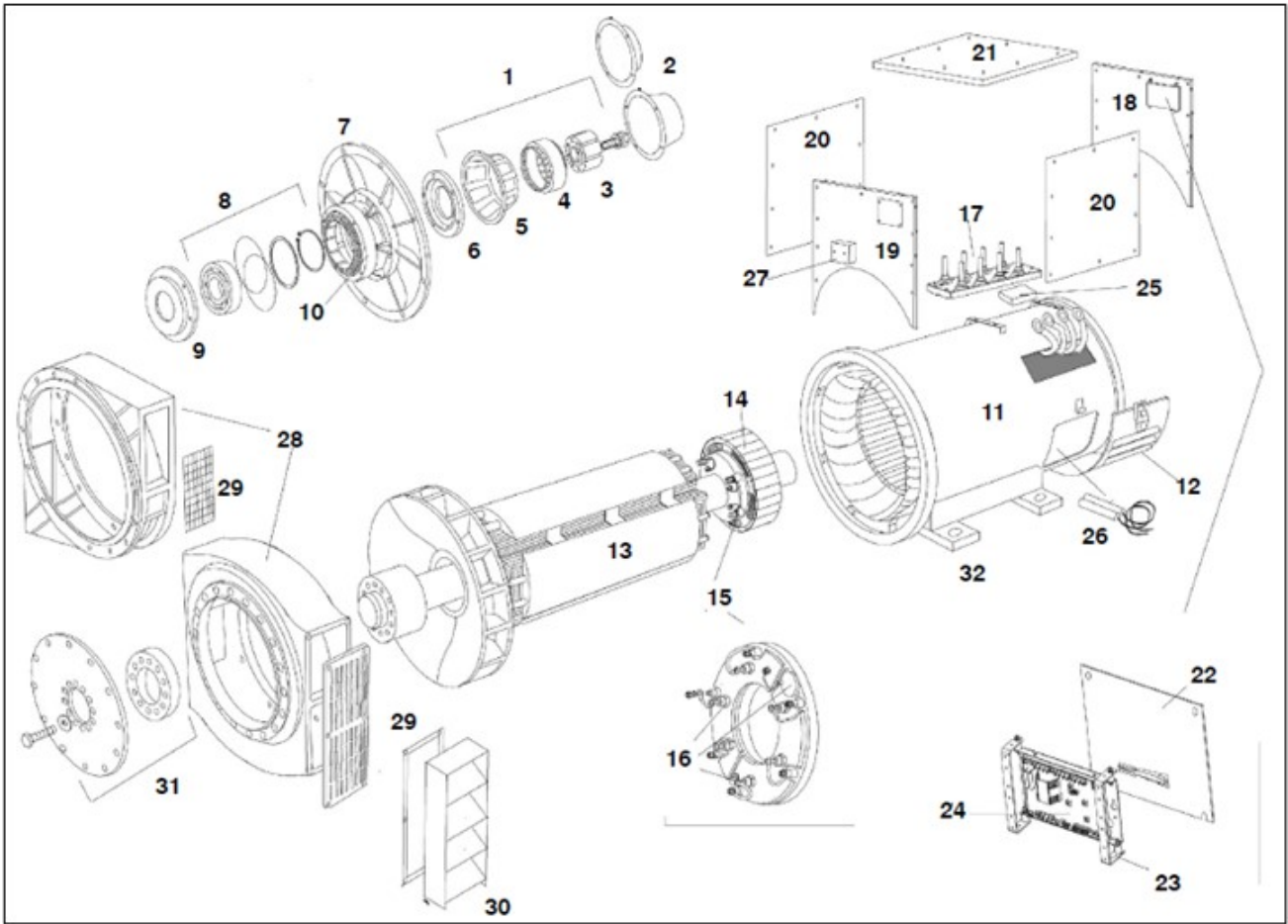


FIGURE 15. HC434 C TO F - 1 BEARING PARTS DRAWING

TABLE 17. HC434 C TO F - 1 BEARING PARTS LIST

Item	Part No.	Description	Qty
1	45-0059A	Complete PMG upfit kit (to 18/08/00) (Obsolete)	1
	45-0318A	Complete PMG upfit kit	1
2	450-13350	PMG Cover only Incl in Kit 45-0059A	1
	410-10704	PMG Cover only Incl in Kit 45-0318A	1
	450-12590	NON PMG Cover (to 18/08/00)	1
	410-10705	NON PMG Cover(from 18/08/00)	1
3	45-1082	Current PMG rotor/stator repair kit	1
4	45-1082	Current PMG rotor/stator repair kit	1
5	See No. 1	PMG Crown (if fitted)	1
6	410-10267	NDE Bearing cap to (18/08/2000)	1
7	410-10256	NDE Bracket to (02/2000)	1
	410-10703	NDE Bracket from (02/2000)	1

Item	Part No.	Description	Qty
8	45-0291	NDE Bearing Kit (Sealed) to (18/08/00)	1
	45-0320	NDE Bearing Kit (Sealed) from (18/08/00)	1
9	QMSN	NDE Bearing Cartridge to (18/08/2000)	1
10	410-1052	Exciter stator 50mm	1
	A052D639	Exciter stator 50mm Severe Environmental	1
11	QMSN	Main stator frame assy	1
12	458-20200	NDE Air inlet cover (louvred)	1
	410-10799	NDE Air inlet cover (industrial)	1
	458-20400	NDE Air inlet cover (airfilter)	1
13	QMSN	Main rotor assy	1
14	458-22800	Exciter rotor 50mm to (22/11/99)	1
	410-1194	Exciter rotor 50mm from (22/11/99)	1
15	450-16016	Rotating rectifier assy	1
16	RSK-5001	Diode fwd/rev & varistor kit	1
17	410-10720	Main terminal board	1
18	410-10494	Terminal box end panel NDE to (21/07/02)	1
	410-10785	Terminal box end panel NDE from (21/07/02)	1
	410-10872	Terminal box end panel NDE (EU Machine Dir.)	1
	410-10790	Terminal box end panel NDE reconnectable 410-10790	1
19	410-10495	Terminal box end panel DE to (21/07/02)	1
	410-10784	Terminal box end panel DE from (21/07/02)	1
	410-10871	Terminal box end panel DE (EU Machine Dir.)	1
	410-10789	Terminal box end panel DE reconnectable	1
20	410-10496	Terminal box side panel to (21/07/98)	2
	410-10786	Terminal box side panel from (21/07/98)	2
	410-10803	Terminal box side panel (airfilter)	2
	410-10859	Terminal box side panel (airfilter) (EU Machine Dir.)	2
	410-10870	Terminal box side panel (aperture) (EU Machine Dir.)	2
	410-10819	Terminal box side panel (avr/pfc rhs)	1
	410-10873	Terminal box side panel (avr/pfc rhs) (EU Machine Dir.)	1
	410-10788	Terminal box side panel (glandplate)	2
21	410-10173	Terminal box lid to (21/07/98)	1
	410-10497	Terminal box lid from (21/07/98)	1
22	410-10536	AVR Cover plate to (21/07/02)	1
	450-15254	AVR Cover plate from (21/07/02)	1
	450-16417	AVR Cover (EU Machine Dir. No mounting bracket) x 1	1

Item	Part No.	Description	Qty
	450-16413	AVR Plastic Cover (EU Machine Dir.)	1
23	45-0742	AVR Mounting bracket	1
24	E000-23412/1P	AVR MX341 (Standard Series 3)	1
	E000-23408/1P	AVR MX341 UL	1
	E000-24403/1P	AVR AS440 (standard series 4)	1
	E000-24408/1P	AVR AS440 UL approved	2
	E000-23212/1P	AVR MX321	1
	E000-23215/1P	AVR MX321 UL	1
	A062Y338	AVR MX321 UL	1
	A060B914	AVR DECS-150	1
25	450-15489	Auxiliary terminal board	2
26	45-0373	Heater 110-125 volt	1
	A053M957	Heater 110-125 volt UL Cert	1
	A051Y935	Heater Kit 110-125V to Incl term box for retro	1
	A053X245	Heater Kit 110-125V to Incl term box for retro UL Cert	1
	45-0374	Heater 220-260 volt	1
	A053M965	Heater 220-260 volt UL Cert	1
	A040G610	Heater 220-260V to Incl term box for retro	1
	A053X247	Heater 220-260V to Incl term box for retro UL Cert	1
27	45-0024	Terminal box for heaters	1
28	45-0663	DE adaptor Kit SAE 0	1
	45-0664	DE adaptor Kit SAE 0.5	1
	45-0665	DE adaptor Kit SAE 1	1
	45-0721	DE adaptor Kit SAE 2	1
	45-0753	DE adaptor Kit SAE 3	1
	45-0916	DE adaptor Kit SAE1 round	1
29	410-10762	DE Screen Incl in Adaptor Kits	1
30	45-0651	DE Louvre SAE 0.5 & 1	1
	45-0652	DE Louvre SAE-0	1
31	45-0776	Coupling Kit SAE 11.5	2
	45-0777	Coupling Kit SAE 14	1
	45-0778	Coupling Kit SAE 18	1
	45-0779	Coupling Kit SAE 17.75	1
32	A056D894	Brkt, Foot, F4	1
	A056V555	Bar, Foot, F4	2
	A056V557	Bar, Foot, F4	2

-

This page is intentionally blank.

17 HC434 C to F - 2 Bearing

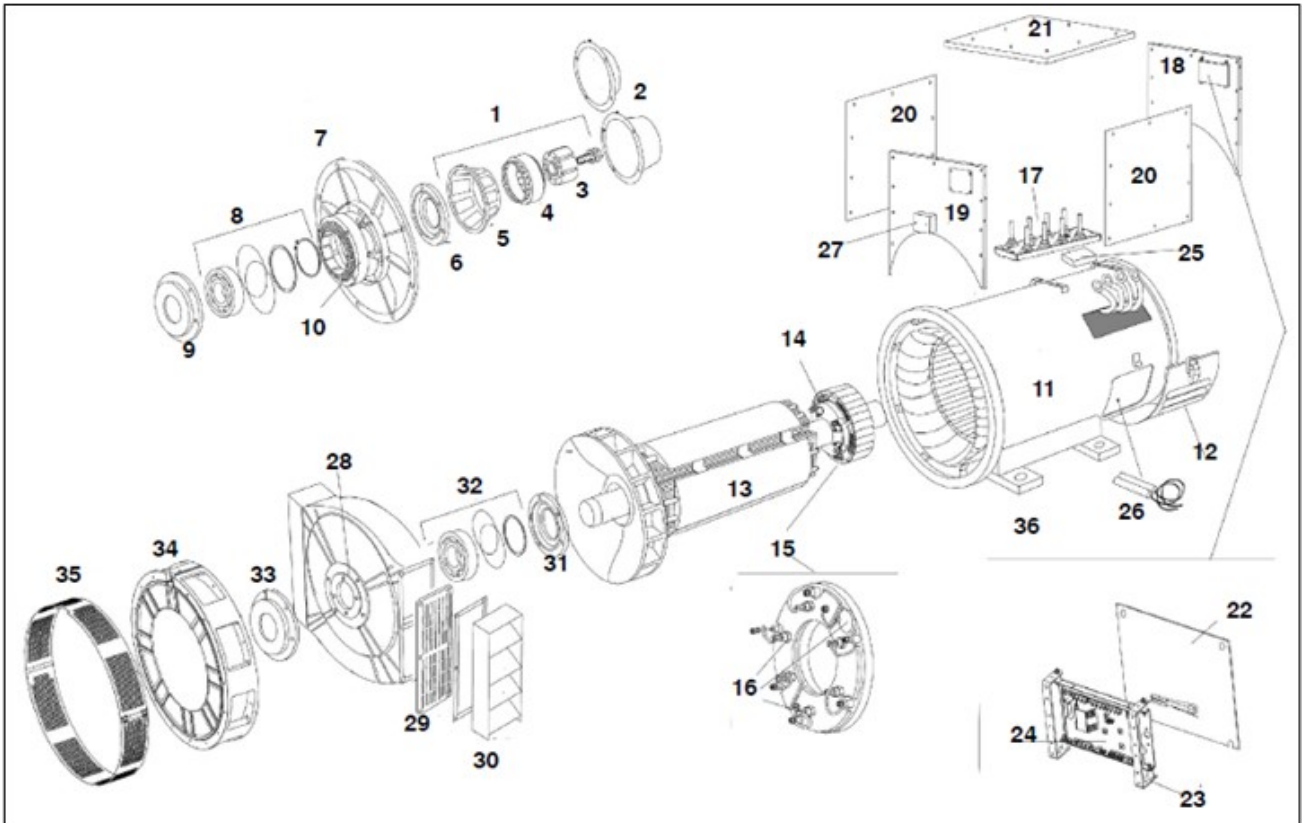


FIGURE 16. HC434 C TO F - 2 BEARING PARTS DRAWING

TABLE 18. HC434 C TO F - 2 BEARING PARTS LIST

Item	Part No.	Description	Qty
1	45-0059A	Complete PMG upfit kit (to 18/08/00) (Obsolete)	1
	45-0318A	Complete PMG upfit kit	1
2	450-13350	PMG Cover only included in Kit 45-0059A	1
	410-10704	PMG Cover only included in Kit 45-0318A	1
	450-12590	NON PMG Cover (to 18/08/00)	1
	410-10705	NON PMG Cover(from 18/08/00)	1
3	45-1082	Current PMG rotor/stator repair kit	1
4	45-1082	Current PMG rotor/stator repair kit	1
5	See No. 1	PMG Crown (if fitted)	1
6	410-10268	NDE Bearing cap to (18/08/2000)	1
7	410-10256	NDE Bracket to (02/2000)	1
	410-10703	NDE Bracket from (02/2000)	1
8	45-0291	NDE Bearing Kit (Sealed) to (18/08/00)	1
	45-0320	NDE Bearing Kit (Sealed) from (18/08/00)	1
9	458-12960	NDE Bearing cartridge to (18/08/2000)	1

Item	Part No.	Description	Qty
10	410-1052	Exciter stator 50mm	1
	A052D639	Exciter stator 50mm Severe Environmental	1
11	QMSN	Main stator frame assy	1
12	458-20200	NDE Air inlet cover (louvred)	1
	410-10799	NDE Air inlet cover (industrial)	1
	458-20400	NDE Air inlet cover (airfilter)	1
13	QMSN	Main rotor assy	1
14	458-22800	Exciter rotor 50mm to (22/11/99)	1
	410-1194	Exciter rotor 50mm from (22/11/99)	1
15	450-16016	Rotating rectifier assy	1
16	RSK-5001	Diode fwd/rev & varistor kit	1
17	410-10720	Main terminal board	1
18	410-10494	Terminal box end panel NDE to (21/07/02)	1
	410-10785	Terminal box end panel NDE from (21/07/02)	1
	410-10872	Terminal box end panel NDE (EU Machine Dir.)	1
	410-10790	Terminal box end panel NDE reconnectable 410-10790	1
19	410-10495	Terminal box end panel DE to (21/07/02)	1
	410-10784	Terminal box end panel DE from (21/07/02)	1
	410-10871	Terminal box end panel DE (EU Machine Dir.)	1
	410-10789	Terminal box end panel DE reconnectable	1
20	410-10496	Terminal box side panel to (21/07/98)	2
	410-10786	Terminal box side panel from (21/07/98)	2
	410-10803	Terminal box side panel (airfilter)	2
	410-10859	Terminal box side panel (airfilter) (EU Machine Dir.)	2
	410-10870	Terminal box side panel (aperture) (EU Machine Dir.)	2
	410-10819	Terminal box side panel (avr/pfc rhs)	1
	410-10873	Terminal box side panel (avr/pfc rhs) (EU Machine Dir.)	1
	410-10788	Terminal box side panel (glandplate)	2
21	410-10173	Terminal box lid to (21/07/98)	1
	410-10497	Terminal box lid from (21/07/98)	1
22	410-10536	AVR Cover plate to (21/07/02)	1
	450-15254	AVR Cover plate from (21/07/02)	1
	450-16417	AVR Cover (EU Machine Dir. No mounting bracket) x 1	1
	450-16413	AVR Plastic Cover (EU Machine Dir.)	1
23	45-0742	AVR Mounting bracket	1

Item	Part No.	Description	Qty
24	E000-23412/1P	AVR MX341 (standard series 3)	1
	E000-23408/1P	AVR MX341 UL	1
	E000-24403/1P	AVR AS440 (standard series 4)	1
	E000-24408/1P	AVR AS440 UL approved	2
	E000-23212/1P	AVR MX321	1
	E000-23215/1P	AVR MX321 UL	1
	A062Y338	AVR MX322	1
	A060B914	AVR DECS-150	1
25	450-15489	Auxiliary terminal board	2
26	45-0073	Heater 110-125 volt	1
	A053M957	Heater 110-125 volt UL Cert	1
	A051Y935	Heater Kit 110-125v to incl term box for retro	1
	A053X245	Heater Kit 110-125v to incl term box for retro UL Cert	1
	45-0374	Heater 220-260 volt	1
	A053M965	Heater 220-260 volt UL Cert	1
	A040G610	Heater Kit 220-260v to incl term box for retro	1
	A053X247	Heater Kit 220-260v to incl term box for retro UL Cert	1
27	45-0024	Terminal box for heaters	1
28	458-11170	DE Bracket to (12/09/04)	1
	410-10781	DE Bracket from (12/09/04)	1
29	458-10260	DE Bracket screen	1
30	45-0653	DE Louvre	1
31	458-10130	DE Bearing cartridge to (18/08/00)	1
	410-10708	DE Bearing cartridge from (18/08/00)	1
32	45-0290	DE Bearing Kit (Sealed) to (18/08/00)	1
	45-0319	DE Bearing kit (Sealed) from (18/08/00)	1
33	410-10269	DE Bearing cap outer to (18/08/00)	1
	410-10706	DE Bearing cap outer from (18/08/00)	2
34	45-0675	2 Brg Adaptor Kit (SAE 0)	1
	45-0677	2 Brg Adaptor Kit (SAE 0.5)	1
	45-0676	2 Brg Adaptor Kit (SAE 1)	1
	45-0910	2 Brg Adaptor Kit (DIN 1)	1
35	Included in 34	DE Cover Screen (Included in Kits)	2
36	A056D894	Brkt, Foot, F4	1
	A056V555	Bar, Foot, F4	2
	A056V557	Bar, Foot, F4	2

-

This page is intentionally blank.

18 S4 C to F - 1 Bearing

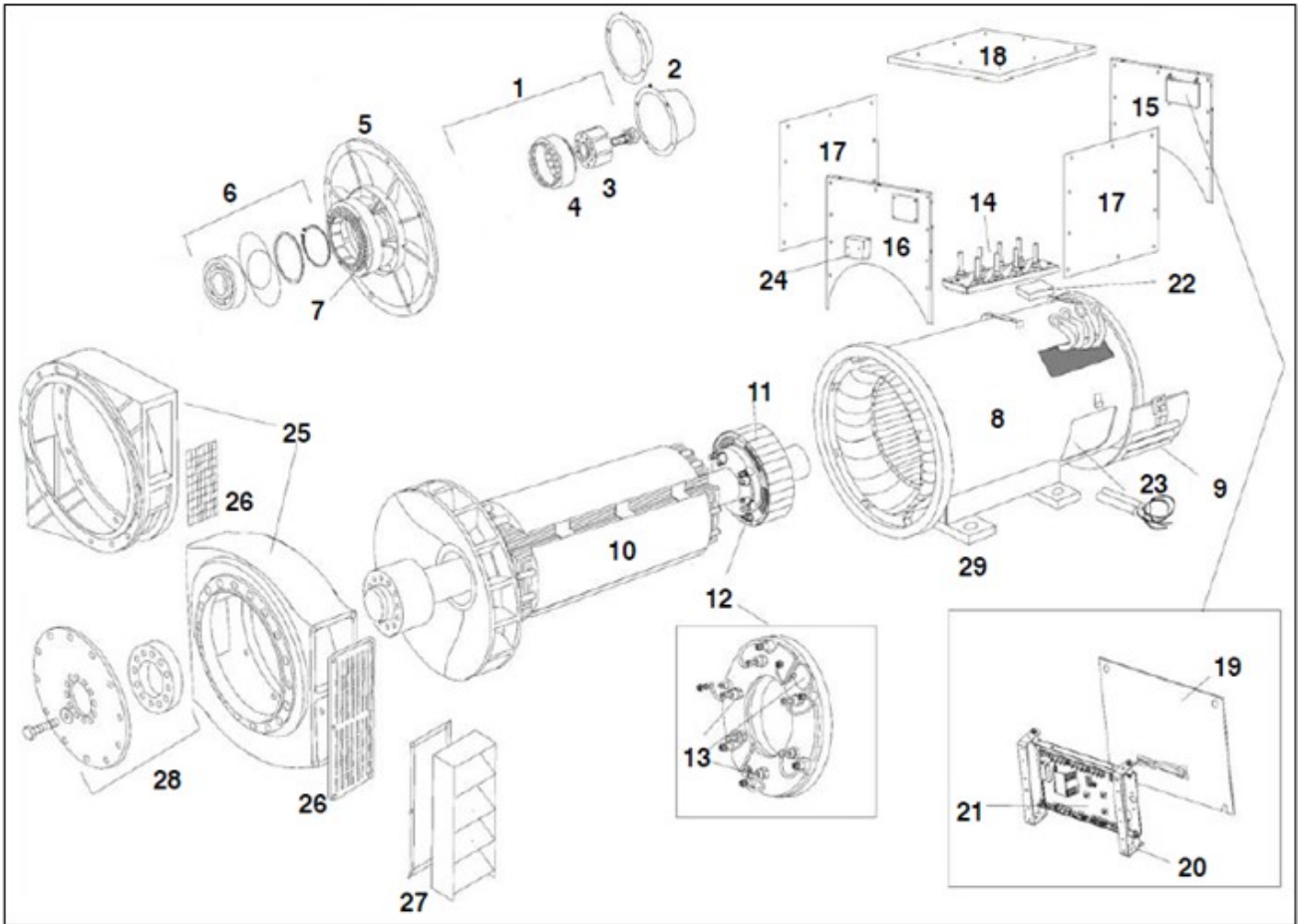


FIGURE 17. S4 C TO F - 1 BEARING PARTS DRAWING

TABLE 19. S4 C TO F - 1 BEARING PARTS LIST

Item	Part No.	Description	Qty
1	45-0318A	Complete PMG Upfit Kit	1
2	410-10704	PMG Cover Only Included in Item 1	1
	410-10705	Non PMG Cover (From 18/08/00)	
3	45-1082	Current PMG Rotor/Stator Repair Kit	1
4	45-1082	Current PMG Rotor/Stator Repair Kit	1
5	410-10703	NDE Bracket From (02/2000)	1
6	45-0320	NDE Bearing Kit From (18/08/00)	1
7	410-1052	Exciter Stator 50mm	1
	A052D639	Exciter Stator 50mm Severe Environmental	1
8	QMSN	Main Stator Frame Assy	1
9	458-20200	NDE Air Inlet Cover (Louvred)	1
	410-10799	NDE Air Inlet Cover (Industrial)	1
	458-20400	NDE Air Inlet Cover (Air Filter)	1

Item	Part No.	Description	Qty
10	QMSN	Main Rotor Assy	1
11	410-1194	Exciter Rotor 50mm From (22/11/99)	1
12	450-16016	Rotating Rectifier Assy	1
13	RSK-5001	Diode FWD/REV & Varistor Kit	1
14	410-10720	Main Terminal Board	1
15	410-10785	Terminal Box end panel NDE From (21/07/02)	1
	410-10872	Terminal Box end panel NDE From (EU Machine Dir.)	1
	410-10790	Terminal Box end panel NDE Reconstructable 410-10790	1
16	410-10784	Terminal Box end panel DE From (21/07/02)	1
	410-10871	Terminal Box end panel DE From (EU Machine Dir.)	1
	410-10789	Terminal Box end panel NDE Reconstructable	1
17	410-10786	Terminal Box side panel From (21/07/98)	2
	410-10803	Terminal Box side panel (Air Filter)	2
	410-10859	Terminal Box side panel (Air Filter) (EU Machine Dir.)	2
	410-10870	Terminal Box side panel (Aperture) (EU Machine Dir.)	1
	410-10819	Terminal Box side panel (AVR/PFC RHS)	1
	410-10873	Terminal Box side panel (AVR/PFC RHS) (EU Machine Dir.)	1
	410-10788	Terminal Box side panel (Glandplate)	2
18	410-10497	Terminal Box Lid From (21/07/98)	1
19	450-16417	AVR Cover (EU Machine Dir. No mounting bracket) x 1	1
20	45-0742	AVR Mounting Bracket	1
21	E000-23412/1P	AVR MX341 (Standard Series 3)	1
	E000-23408/1P	AVR MX341 UL	1
	E000-24403/1P	AVR AS440 (Standard Series 4)	1
	E000-24408/1P	AVR AS440 UL Approved	1
	E000-23212/1P	AVR MX321	1
	E000-23215/1P	AVR MX321 UL	1
	A062Y338	AVR MX322	1
	A060B914	AVR DECS-150	1
22	450-15489	Auxiliary Terminal Board	2
23	45-0373	Heater 110-125 Volt	1
	A053M957	Heater 110-125 Volt UL Cert.	1
	A051Y935	Heater Kit 110-125V to Incl Term Box for Retro	1
	A053X245	Heater Kit 110-125V to Incl Term Box for Retro UL Cert.	1

Item	Part No.	Description	Qty
	45-0374	Heater 220-260 Volt	1
	A053M965	Heater 220-260 Volt UL Cert.	1
	A040G610	Heater 220-260V to Incl Term Box for Retro	1
	A053X247	Heater 220-260V to Incl Term Box for Retro UL Cert.	1
24	45-0024	Terminal Box for Heaters	1
25	45-0663	DE Adapter Kit (SAE 0)	1
	45-0664	DE Adapter Kit (SAE 0.5)	1
	45-0665	DE Adapter Kit (SAE 1)	1
	45-0721	DE Adapter Kit (SAE 2)	1
	45-0753	DE Adapter Kit (SAE 3)	1
	45-0916	DE Adapter Kit (SAE 1 Round)	1
26	410-10762	DE Screen (Included in Adapter Kits)	2
27	45-0651	DE Louvre (SAE 0.5 & 1)	1
	45-0652	DE Louvre (SAE-0)	1
28	45-0776	Coupling Kit SAE 11.5	1
	45-0777	Coupling Kit SAE 14	1
	45-0778	Coupling Kit SAE 18	1
	45-0779	Coupling Kit SAE 17.75	1
29	A056D894	Brkt, Foot, F4	1
	A056V555	Bar, Foot, F4	2
	A056V557	Bar, Foot, F4	2

-

This page is intentionally blank.

19 S4 C to F - 2 Bearing

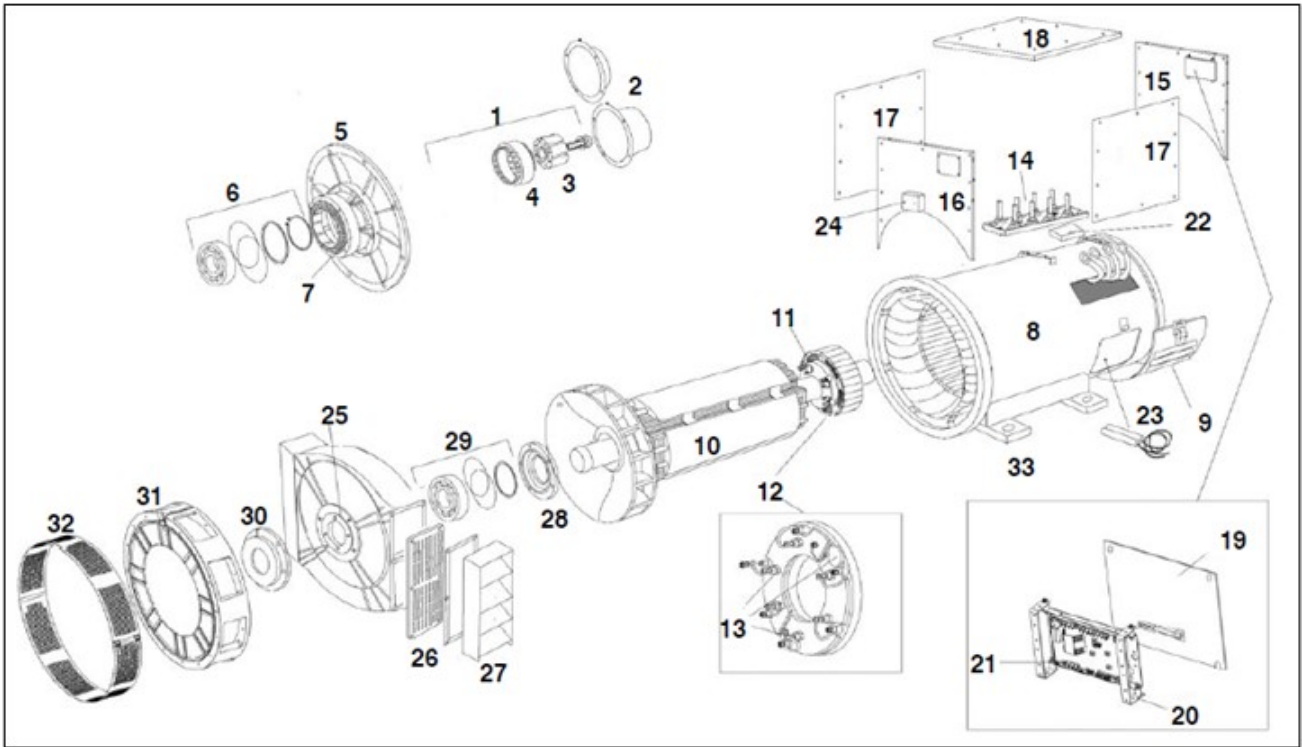


FIGURE 18. S4 C TO F - 2 BEARING PARTS DRAWING

TABLE 20. S4 C TO F - 2 BEARING PARTS LIST

Item	Part No.	Description	Qty
1	45-0318A	Complete PMG Upfit Kit	1
2	410-10704	PMG Cover Only Included in Item 1	1
	410-10705	Non PMG Cover (From 18/08/00)	
3	45-1082	Current PMG Rotor/Stator Repair Kit	1
4	45-1082	Current PMG Rotor/Stator Repair Kit	1
5	410-10703	NDE Bracket From (02/2000)	1
6	45-0320	NDE Bearing Kit From (18/08/00)	1
7	410-1052	Exciter Stator 50mm	1
	A052D639	Exciter Stator 50mm Severe Environmental	1
8	QMSN	Main Stator Frame Assy	1
9	458-20200	NDE Air Inlet Cover (Louvred)	1
	410-10799	NDE Air Inlet Cover (Industrial)	1
	458-20400	NDE Air Inlet Cover (Air Filter)	1
10	QMSN	Main Rotor Assy	1
11	410-1194	Exciter Rotor 50mm From (22/11/99)	1
12	450-16016	Rotating Rectifier Assy	1

Item	Part No.	Description	Qty
13	RSK-5001	Diode FWD/REV & Varistor Kit	1
14	410-10720	Main Terminal Board	1
15	410-10785	Terminal Box end panel NDE From (21/07/02)	1
	410-10872	Terminal Box end panel NDE From (EU Machine Dir.)	1
	410-10790	Terminal Box end panel NDE Reconstructable 410-10790	1
16	410-10784	Terminal Box end panel DE From (21/07/02)	1
	410-10871	Terminal Box end panel DE From (EU Machine Dir.)	1
	410-10789	Terminal Box end panel NDE Reconstructable	1
17	410-10786	Terminal Box side panel From (21/07/98)	2
	410-10803	Terminal Box side panel (Air Filter)	2
	410-10859	Terminal Box side panel (Air Filter) (EU Machine Dir.)	2
	410-10870	Terminal Box side panel (Aperture) (EU Machine Dir.)	1
	410-10819	Terminal Box side panel (AVR/PFC RHS)	1
	410-10873	Terminal Box side panel (AVR/PFC RHS) (EU Machine Dir.)	1
	410-10788	Terminal Box side panel (Glandplate)	2
18	410-10497	Terminal Box Lid From (21/07/98)	1
19	450-16417	AVR Cover (EU Machine Dir. No mounting bracket) x 1	1
20	45-0742	AVR Mounting Bracket	1
21	E000-23412/1P	AVR MX341 (Standard Series 3)	1
	E000-23408/1P	AVR MX341 UL	1
	E000-24403/1P	AVR AS440 (Standard Series 4)	1
	E000-24408/1P	AVR AS440 UL Approved	1
	E000-23212/1P	AVR MX321	1
	E000-23215/1P	AVR MX321 UL	1
	A062Y338	AVR MX322	1
	A060B914	AVR DECS-150	1
22	450-15489	Auxiliary Terminal Board	2
23	45-0373	Heater 110-125 Volt	1
	A053M957	Heater 110-125 Volt UL Cert.	1
	A051Y935	Heater Kit 110-125V to Incl Term Box for Retro	1
	A053X245	Heater Kit 110-125V to Incl Term Box for Retro UL Cert.	1
	45-0374	Heater 220-260 Volt	1
	A053M965	Heater 220-260 Volt UL Cert.	1
	A040G610	Heater 220-260V to Incl Term Box for Retro	1

Item	Part No.	Description	Qty
	A053X247	Heater 220-260V to Incl Term Box for Retro UL Cert.	1
24	45-0024	Terminal Box for Heaters	1
25	410-10781	DE Bracket From (12/09/04)	1
26	458-10260	DE Bracket Screen	2
27	45-0653	DE Louvre	1
28	410-10708	DE Bearing Cartridge From (18/08/00)	1
29	45-0319	DE Bearing Kit From (18/08/00)	1
30	410-10706	DE Bearing Cap Outer From (18/08/00)	1
31	45-0675	2 Brg Adapter Kit (SAE 0)	1
	45-0677	2 Brg Adapter Kit (SAE 0.5)	1
	45-0676	2 Brg Adapter Kit (SAE 1)	1
	45-0910	2 Brg Adapter Kit (DIN 1)	1
32	Included in Item 31	DE Cover Screen (Included in Kits)	2
33	A056D894	Brkt, Foot, F4	1
	A056V555	Bar, Foot, F4	2
	A056V557	Bar, Foot, F4	2

-

This page is intentionally blank.

20 S4 G - 1 Bearing (Dedicated)

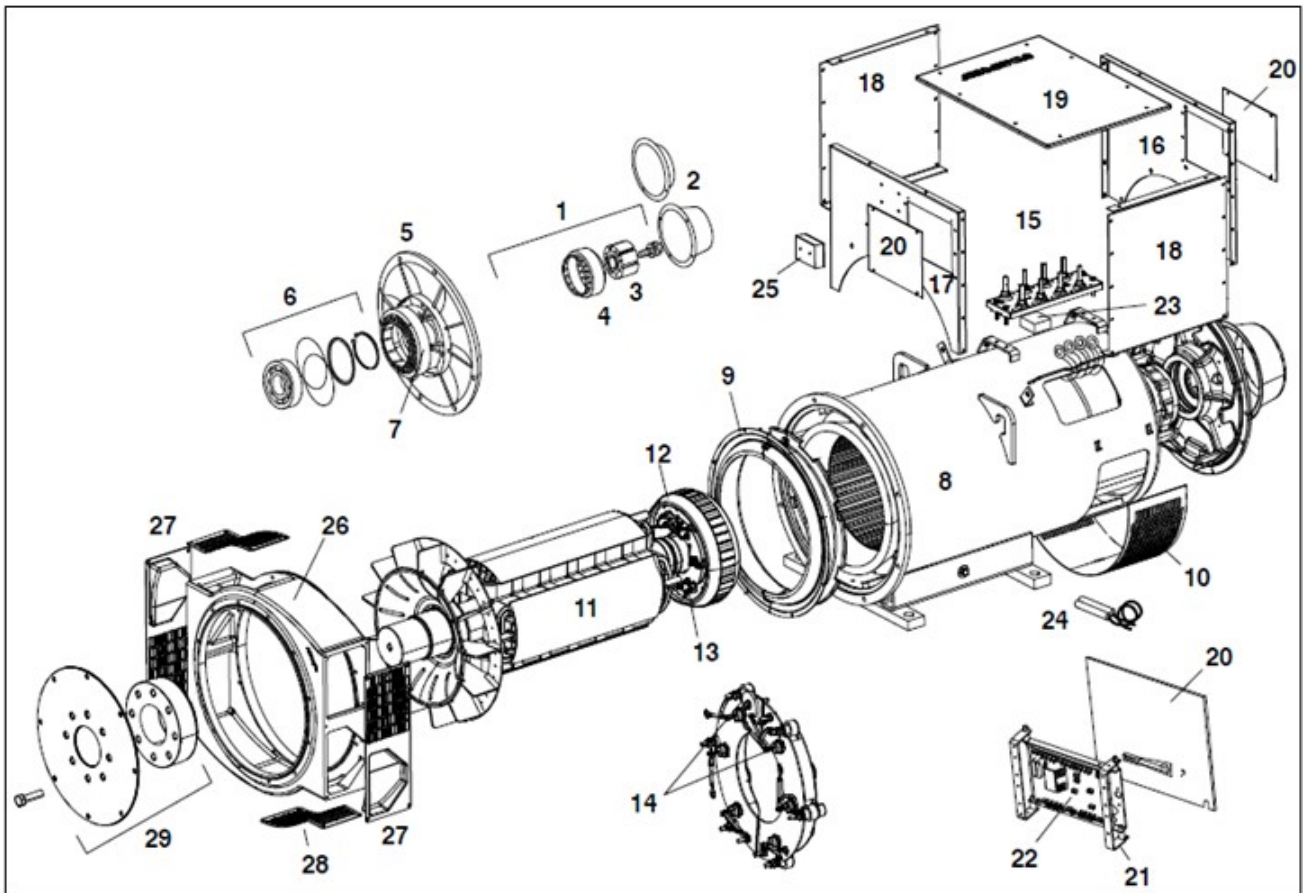


FIGURE 19. S4 G - 1 BEARING (DEDICATED) PARTS DRAWING

TABLE 21. S4 G - 1 BEARING (DEDICATED) PARTS LIST

Item	Part No.	Description	Qty
1	45-0318A	Complete PMG Upfit Kit	1
2	410-10704	PMG Cover Only Included in Item 1	1
	410-10705	Non PMG Cover (From 18/08/00)	
3	45-1082	Current PMG Rotor/Stator Repair Kit	1
4	45-1082	Current PMG Rotor/Stator Repair Kit	1
5	410-10703	NDE Bracket From (02/2000)	1
6	45-0320	NDE Bearing Kit From (18/08/00)	1
7	410-1052	Exciter Stator 50mm	1
	A052D639	Exciter Stator 50mm Severe Environmental	1
8	QMSN	Main Stator Frame Assy	1
9	A054S342	Air Flow Baffle (G Core Only)	2
10	458-20200	NDE Air Inlet Cover (Louvred)	1
	410-10799	NDE Air Inlet Cover (Industrial)	1

Item	Part No.	Description	Qty
	458-20400	NDE Air Inlet Cover (Air Filter)	1
11	QMSN	Main Rotor Assy	1
12	410-1194	Exciter Rotor 50mm From (22/11/99)	1
13	450-16016	Rotating Rectifier Assy	1
14	RSK-5001	Diode FWD/REV & Varistor Kit	1
15	410-10720	Main Terminal Board	1
16	410-10785	Terminal Box end panel NDE From (21/07/02)	1
	410-10872	Terminal Box end panel NDE From (EU Machine Dir.)	1
	410-10790	Terminal Box end panel NDE Reconstructable 410-10790	1
17	410-10784	Terminal Box end panel DE From (21/07/02)	1
	410-10871	Terminal Box end panel DE From (EU Machine Dir.)	1
	410-10789	Terminal Box end panel NDE Reconstructable	1
18	410-10786	Terminal Box side panel From (21/07/98)	2
	410-10803	Terminal Box side panel (Air Filter)	2
	410-10859	Terminal Box side panel (Air Filter) (EU Machine Dir.)	2
	410-10870	Terminal Box side panel (Aperture) (EU Machine Dir.)	1
	410-10819	Terminal Box side panel (AVR/PFC RHS)	1
	410-10873	Terminal Box side panel (AVR/PFC RHS) (EU Machine Dir.)	1
	410-10788	Terminal Box side panel (Glandplate)	2
19	450-16417	AVR Cover (EU Machine Dir. No mounting bracket) x 1	1
20	450-15254	AVR Cover Plate From (21/07/02)	1
21	45-0742	AVR Mounting Bracket	1
22	E000-23412/1P	AVR MX341 (Standard Series 3)	1
	E000-23408/1P	AVR MX341 UL	1
	E000-24403/1P	AVR AS440 (Standard Series 4)	1
	E000-24408/1P	AVR AS440 UL Approved	1
	E000-23212/1P	AVR MX321	1
	E000-23215/1P	AVR MX321 UL	1
	A062Y338	AVR MX322	1
	A060B914	AVR DECS-150	1
23	450-15489	Auxiliary Terminal Board	2
24	45-0373	Heater 110-125 Volt	1
	A053M957	Heater 110-125 Volt UL Cert.	1
	A051Y935	Heater Kit 110-125V to Incl Term Box for Retro	1

Item	Part No.	Description	Qty
	A053X245	Heater Kit 110–125V to Incl Term Box for Retro UL Cert.	1
	45-0374	Heater 220–260 Volt	1
	A053M965	Heater 220–260 Volt UL Cert.	1
	A040G610	Heater 220–260V to Incl Term Box for Retro	1
	A053X247	Heater 220–260V to Incl Term Box for Retro UL Cert.	1
25	45-0024	Terminal Box for Heaters	1
26	A056B802	DE Adapter Kit (SAE 1)	1
	A056N655	DE Adapter Kit (SAE 0.5)	1
27	A055L792	DE Screen (Included in Adapter Kits)	2
28	A054U637	DE Screen (Included in Adapter Kits)	2
29	45-0776	Coupling Kit SAE 11.5	1
	45-0777	Coupling Kit SAE 14	1
	45-0778	Coupling Kit SAE 18	1
	45-0779	Coupling Kit SAE 17.75	1
30	A056D894	Brkt, Foot, F4	1
	A056V555	Bar, Foot, F4	2
	A056V557	Bar, Foot, F4	2

-

This page is intentionally blank.

21 HC534 C to F - 1 Bearing Ser 3 & 4

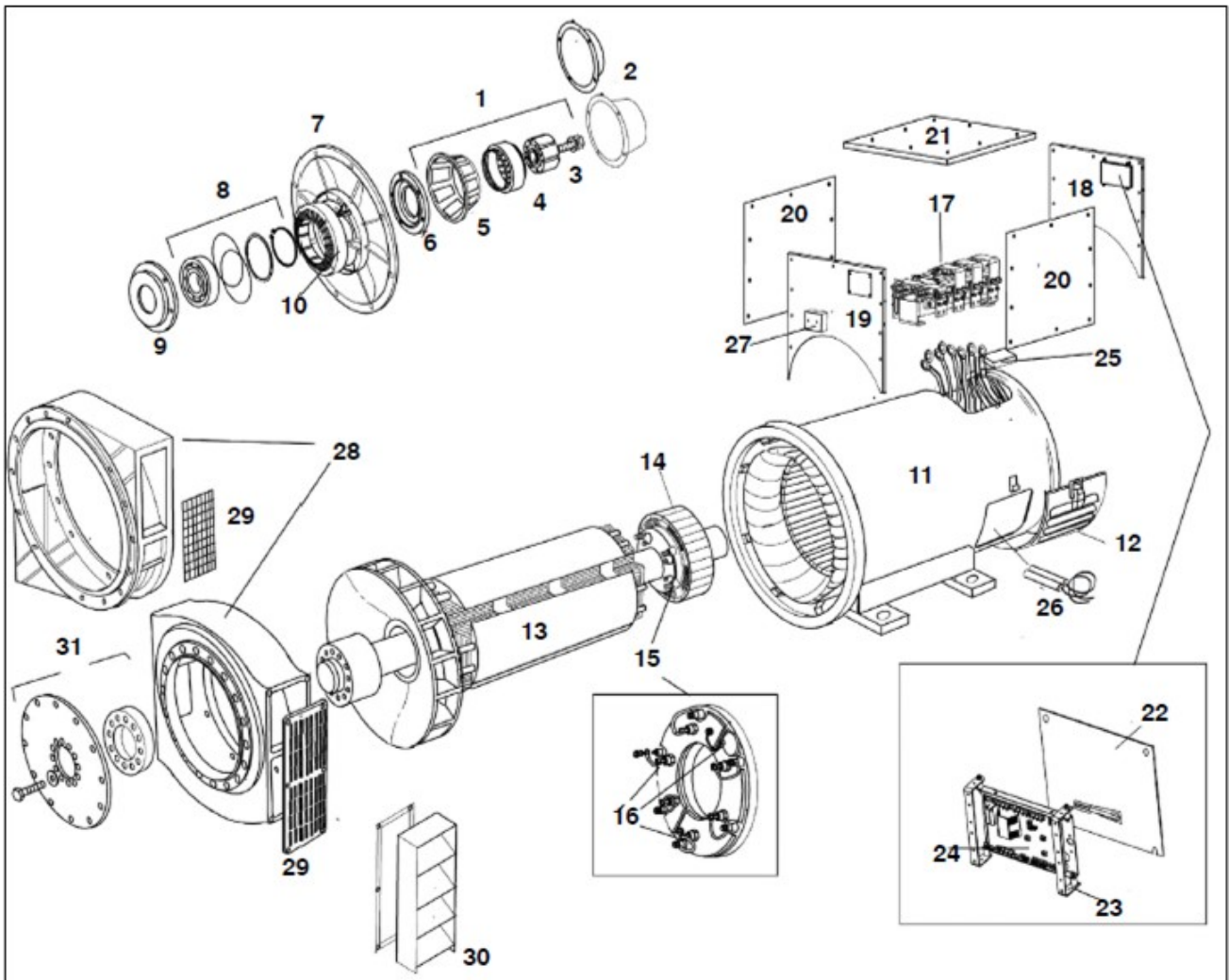


FIGURE 20. HC534 C TO F - 1 BEARING SER 3 & 4 PARTS DRAWING

TABLE 22. HC534 C TO F - 1 BEARING SER 3 & 4 PARTS LIST

Item	Part No.	Description	Qty
1	45-0059A	Complete PMG upfit kit (to 18/08/00) (Obsolete)	1
	45-0328A	Complete PMG upfit kit	1
2	450-13350	PMG Cover only included in Kit 45-0059A	1
	410-10704	PMG Cover only included in Kit 45-0328A	1
	450-12590	NON PMG Cover (to 18/08/00)	1
	410-10705	NON PMG Cover(from 18/08/00)	1
3	45-1082	Current PMG rotor/stator repair kit	1
4	45-1082	Current PMG rotor/stator repair kit	1
5	See No. 1	PMG Crown (if fitted)	1
6	410-10268	NDE Bearing cap to (30/09/00)	1

Item	Part No.	Description	Qty
	520-10812	NDE Bearing cap (regreaseable brg)	1
7	520-10306	NDE Bracket to (30/09/00)	1
	520-10810	NDE Bracket (regreaseable brg)	1
	520-10780	NDE Bracket from (30/09/00)	1
8	45-0291	NDE Bearing Kit (Sealed) to (30/09/00)	1
	45-0320	NDE Bearing Kit (Sealed) from (30/09/00)	1
	45-1099	NDE Regrease bearing kit	1
9	458-12960	NDE Bearing cartridge to (20/09/2000)	1
	520-10811	NDE Bearing cartridge from (20/09/2000)	1
10	410-1052	Exciter stator 50mm	1
	520-10286	Exciter stator 65mm	1
	A052D639	Exciter stator 50mm Severe Environmental	1
	A052D940	Exciter stator 65mm Severe Environmental	1
11	QMSN	Main stator frame assy	1
12	462-20100	NDE Air inlet cover (louvred)	1
	520-10933	NDE air inlet cover (industrial)	1
13	QMSN	Main rotor assy	1
14	462-23400	Exciter rotor 50mm (No longer available)	1
	520-10305	Exciter rotor 65mm to fit internal bore diameter 98mm (no longer available)	1
	520-1142	Exciter rotor 65mm to fit internal bore diameter 110mm	1
15	450-16016	Rotating rectifier assy	1
16	RSK-5001	Diode fwd/rev & varistor kit	1
17	QMSN	Main terminal board	1
18	520-10153	Terminal box end panel NDE to (08/1998)	1
	520-10534	Terminal box end panel NDE to (19//09/1998)	1
	520-10907	Terminal box end panel NDE from (20/09/1998)	1
	520-11026	Terminal box end panel NDE (EU Machine Dir.)	1
	520-10911	Terminal box end panel NDE (reverse entry)	1
	520-11028	Terminal box end panel NDE (reverse entry) (EU Machine Dir.)	1
	520-10918	Terminal box end panel NDE (pg gland)	1
	520-11032	Terminal box end panel NDE (pg gland) (EU Machine Dir.)	1
	520-10982	Terminal box end panel NDE (To fit DM110 AVR)	1
	520-10920	Terminal box end panel NDE (Railway App)	1
	520-11033	Terminal box end panel NDE (Railway App) (EU Machine Dir.)	1

Item	Part No.	Description	Qty
	520-10914	Terminal box end panel NDE (reconnectable)	1
	520-10917	Terminal box end panel NDE (High Box)	1
	520-11030	Terminal box end panel NDE (High Box) (EU Machine Dir.)	1
19	520-10181	Terminal box end panel DEto (08/1998)	1
	520-10906	Terminal box end panel DE from (08/1998)	1
	520-11025	Terminal box end panel DE from (EU Machine Dir.)	1
	520-10910	Terminal box end panel DE (reverse entry)	1
	520-11027	Terminal box end panel DE (reverse entry) (EU Machine Dir.)	1
	520-10913	Terminal box end panel DE (reconnectable)	1
	520-10916	Terminal box end panel DE (High Box)	1
	520-11029	Terminal box end panel DE (High Box) (EU Machine Dir.)	1
20	462-11880	Terminal box side panel to (08/1998)	2
	520-10908	Terminal box side panel from (08/1998)	2
	520-10909	Terminal box side panel (Airfilters) from (08/1998)	2
	520-10921	Terminal box side panel (Railway App)	2
	520-11031	Terminal box side panel (Railway App) (EU Machine Dir.)	2
	520-10912	Terminal box side panel (pf control diff)	1
	520-11015	Terminal box side panel (reconnectable/airfilters) (EU Machine Dir.)	2
21	462-11840	Terminal box lid to (08/1998)	1
	520-10536	Terminal box lid from (08/1998)	1
22	450-14310	AVR Cover plate	1
	450-16417	AVR Cover (EU Machine Dir. No mounting bracket) x 1	1
	450-16413	AVR Plastic Cover (EU Machine Dir.)	1
23	45-0742	AVR Mounting bracket	1
24	E000-23412/1P	AVR MX341 (standard series 3)	1
	E000-23408/1P	AVR MX341 UL	1
	E000-24403/1P	AVR AS440 (standard series 4)	1
	E000-24408/1P	AVR AS440 UL approved	1
	E000-23212/1P	AVR MX321	1
	E000-23215/1P	AVR MX321 UL	1
	E000-24210/1P	AVR SX421	1
	A062Y338	AVR MX322	1
	A060B914	AVR DECS-150	1

Item	Part No.	Description	Qty
25	450-15489	Auxiliary terminal board	2
26	45-0073	Heater 110-125 volt	1
	A053M968	Heater 110-125 volt UL Cert	1
	A040G624	Heater Kit 110-125v to incl term box for retro	1
	A053X252	Heater Kit 110-125v to incl term box for retro UL Cert	1
	45-0074	Heater 220-260 volt	1
	A053N002	Heater 220-260 volt UL Cert	1
	A040G620	Heater Kit 220-260v to incl term box for retro	1
	A053X255	Heater Kit 220-260v to incl term box for retro UL Cert	1
27	45-0024	Terminal box for heaters	1
28	45-0667	DE Adaptor Kit SAE 0	1
	A051Y674	DE Adaptor Kit (SAE 0 round/heavy duty)	1
	45-0666	DE Adaptor Kit SAE 00	1
	45-0668	DE Adaptor Kit SAE 0.5	1
	45-0669	DE Adaptor Kit SAE 1	1
	45-0917	DE Adaptor Kit (SAE 1 round/heavy duty)	1
	45-0802	DE Adaptor Kit (SAE 1 round)	1
29	See No. 28	DE Screen (Included in Adaptor Kits)	2
30	45-0655	DE Louvre SAE 0 & 0.5 & 1	1
	45-0654	DE Louvre SAE -00	1
31	45-0780	Coupling Kit SAE 14	1
	45-0781	Coupling Kit SAE 18	1
	45-0783	Coupling Kit SAE 17.75	1
	45-0782	Coupling Kit SAE 21	1

22 HC534 C to F - 2 Bearing Ser 3 & 4

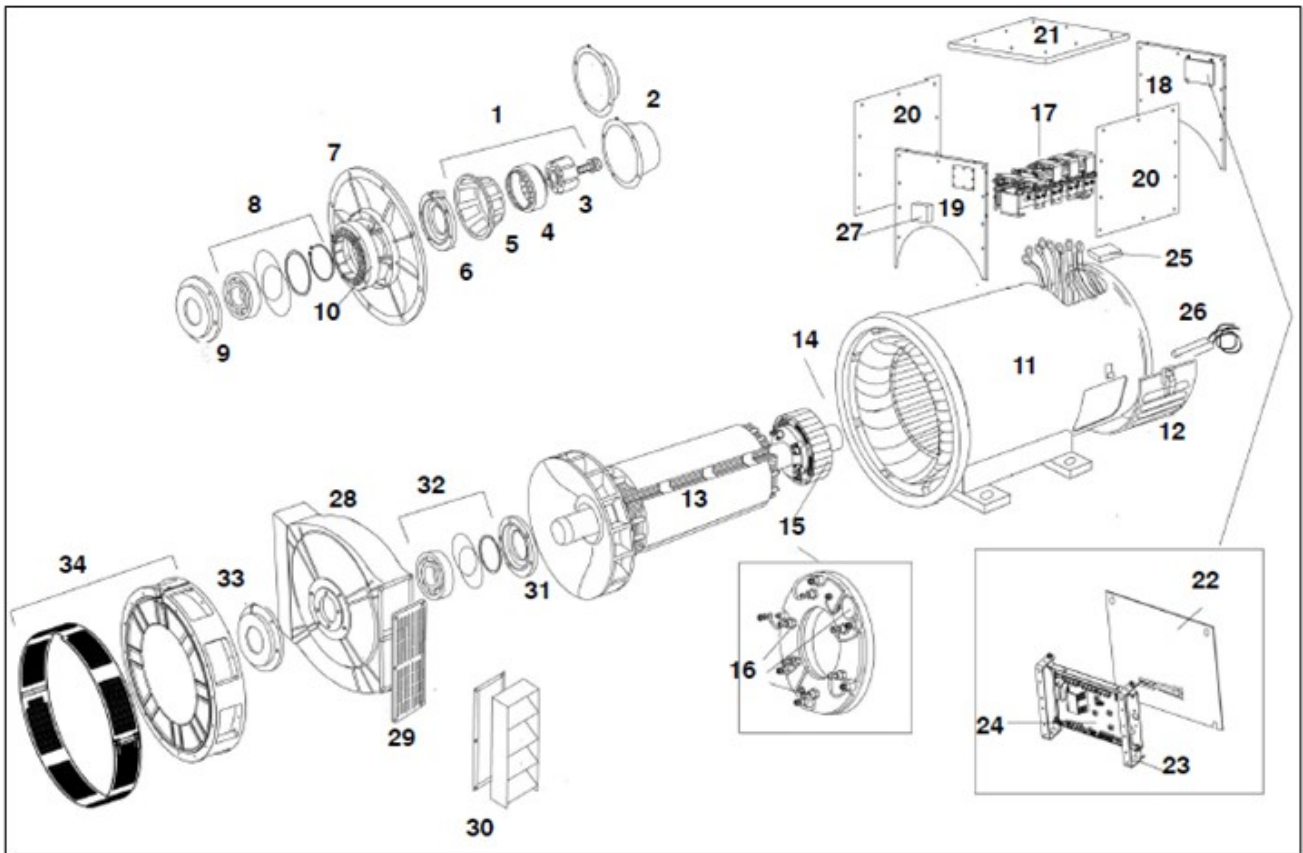


FIGURE 21. HC534 C TO F - 2 BEARING SER 3 & 4 PARTS DRAWING

TABLE 23. HC534 C TO F - 2 BEARING SER 3 & 4 PARTS LIST

Item	Part No.	Description	Qty
1	45-0060A	Complete PMG upfit kit (to 18/08/00) obsolete	1
	45-0328A	Complete PMG upfit kit	1
2	450-13350	PMG Cover only included in Kit 45-0059A	1
	410-10704	PMG Cover only included in Kit 45-0328A	1
	450-12590	NON PMG Cover (to 18/08/00)	1
	410-10705	NON PMG Cover (from 18/08/00)	1
3	45-1082	Current PMG rotor/stator repair kit	1
4	45-1082	Current PMG rotor/stator repair kit	1
5	See No. 1	PMG Crown (if fitted)	1
6	410-10267	NDE Bearing cap to (30/09/00)	1
	520-10812	NDE Bearing cap (regreaseable brg)	1
7	520-10306	NDE Bracket to (30/09/00)	1
	520-10780	NDE Bracket from (30/09/00)	1
	520-10810	NDE bracket (regreaseable brg)	1

Item	Part No.	Description	Qty
8	45-0291	NDE Bearing kit (Sealed) to (30/09/00)	1
	45-0320	NDE Bearing kit (Sealed) from (30/09/00)	1
	45-1099	NDE Bearing kit (regrease)	1
9	458-10110	NDE Bearing cartridge to (20/09/2000)	1
	520-10811	NDE Bearing cartridge from (20/09/2000)	1
10	410-1052	Exciter stator 50mm	1
	520-10286	Exciter stator 65mm	1
	A052D639	Exciter stator 50mm Severe Environmental	1
	A052D940	Exciter stator 65mm Severe Environmental	1
11	QMSN	Main stator frame assy	1
12	462-20100	NDE air inlet cover (louvred)	1
	520-10933	NDE air inlet cover (industrial)	1
13	QMSN	Main rotor assy	1
14	462-23400	Exciter rotor 50mm (No longer available)	1
	520-10305	Exciter rotor 65mm to fit internal bore diameter 98mm (no longer available)	1
	520-1142	Exciter rotor 65mm to fit internal bore diameter 110mm	1
15	450-16016	Rotating rectifier assy	1
16	RSK-5001	Diode fwd/rev & varistor kit	1
17	QMSN	Main terminal board	1
18	520-10153	Terminal box end panel NDE to (08/1998)	1
	520-10534	Terminal box end panel NDE to (19//09/1998)	1
	520-10907	Terminal box end panel NDE from (20/09/1998)	1
	520-11026	Terminal box end panel NDE (EU Machine Dir.)	1
	520-10911	Terminal box end panel NDE (reverse entry)	1
	520-11028	Terminal box end panel NDE (reverse entry) (EU Machine Dir.)	1
	520-10918	Terminal box end panel NDE (pg gland)	1
	520-11032	Terminal box end panel NDE (pg gland) (EU Machine Dir.)	1
	520-10982	Terminal box end panel NDE (To fit DM110 AVR)	1
	520-10920	Terminal box end panel NDE (Railway App)	1
	520-11033	Terminal box end panel NDE (Railway App) (EU Machine Dir.)	1
	520-10914	Terminal box end panel NDE (reconnectable)	1
	520-10917	Terminal box end panel NDE (High Box)	1
	520-11030	Terminal box end panel NDE (High Box) (EU Machine Dir.)	1

Item	Part No.	Description	Qty
19	520-10181	Terminal box end panel DEto (08/1998)	1
	520-10906	Terminal box end panel DE from (08/1998)	1
	520-11025	Terminal box end panel DE from (EU Machine Dir.)	1
	520-10910	Terminal box end panel DE (reverse entry)	1
	520-11027	Terminal box end panel DE (reverse entry) (EU Machine Dir.)	1
	520-10913	Terminal box end panel DE (reconnectable)	1
	520-10916	Terminal box end panel DE (High Box)	1
	520-11029	Terminal box end panel DE (High Box) (EU Machine Dir.)	1
20	462-11880	Terminal box side panel to (08/1998)	2
	520-10908	Terminal box side panel from (08/1998)	2
	520-10909	Terminal box side panel (Airfilters) from (08/1998)	2
	520-10921	Terminal box side panel (Railway App)	2
	520-11031	Terminal box side panel (Railway App) (EU Machine Dir.)	2
	520-10912	Terminal box side panel (pf control diff)	1
	520-11015	Terminal box side panel (reconnectable/airfilters) (EU Machine Dir.)	2
21	462-11840	Terminal box lid to (08/1998)	1
	520-10536	Terminal box lid from (08/1998)	1
22	450-14310	AVR Cover plate	1
	450-16417	AVR Cover (EU Machine Dir. No mounting bracket) x 1	1
	450-16413	AVR Plastic Cover (EU Machine Dir.)	1
23	45-0742	AVR Mounting bracket	1
24	E000-23412/1P	AVR MX341 (standard series 3)	1
	E000-23408/1P	AVR MX341 UL	1
	E000-24403/1P	AVR AS440 (standard series 4)	1
	E000-24408/1P	AVR AS440 UL approved	1
	E000-23212/1P	AVR MX321	1
	E000-23215/1P	AVR MX321 UL	1
	E000-24210/1P	AVR SX421	1
	A062Y338	AVR MX322	1
	A060B914	AVR DECS-150	1
25	450-15489	Auxiliary terminal board	2
26	45-0073	Heater 110-125 volt	1
	A053M968	Heater 110-125 volt UL Cert	1
	A040G624	Heater kit 110-125v to incl term box for retro	1

Item	Part No.	Description	Qty
	A053X252	Heater kit 110-125v to incl term box for retro UL Cert	1
	45-0074	Heater 220-260 volt	1
	A053N002	Heater 220-260 volt UL Cert	1
	A040G620	Heater kit 220-260v to incl term box for retro	1
	A053X255	Heater kit 220-260v to incl term box for retro UL Cert	1
27	45-0024	Terminal box for heaters	1
28	462-11170	DE Bracket to (29/09/2000)	1
	520-10557	DE Bracket from (29/09/2000)	1
29	462-10260	DE Bracket screen	2
30	45-0656	DE Louvre Kit	2
31	462-10130	DE Bearing cartridge to (30/09/2000)	1
	520-10776	DE Bearing cartridge from (30/09/2000)	1
	520-10816	DE Bearing cartridge (regrease)	1
32	45-0292	DE Bearing kit (Sealed) to (30/09/2000)	1
	45-0321	DE Bearing kit (Sealed) from (30/09/2000)	1
	45-1100	DE Bearing kit (regrease)	1
33	520-10333	DE Bearing cap outer to (30/09/2000)	1
	520-10778	DE Bearing cap outer from (30/09/2000)	1
	520-10818	DE Bearing cap (regrease)	1
34	45-0679	2 Brg Adaptor kit SAE 0	1
	45-0932	2 Brg Adaptor kit SAE 0 DIN	1
	45-0680	2 Brg Adaptor kit SAE 0.5	1
	45-0681	2 Brg Adaptor kit SAE 1	1
	45-0808	2 Brg Adaptor kit SAE 1 DIN	1
	45-0678	2 Brg Adaptor kit SAE 00	1
35	Included in 34	DE Cover Screen (Included in Kits)	1
		NOTE:- Regrease option is not retrofittable	

23 S5 C to F - 1 Bearing (Dedicated)

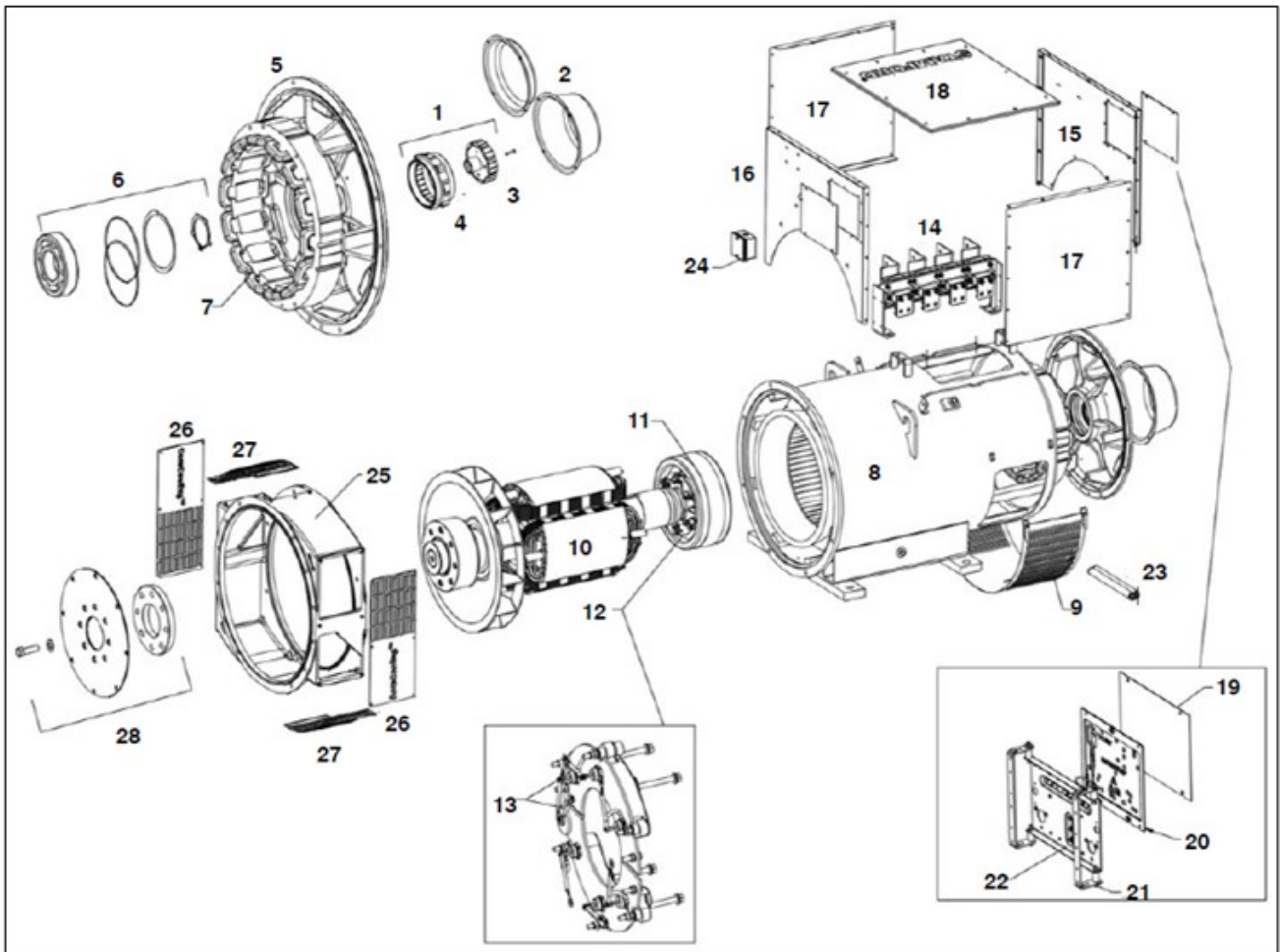


FIGURE 22. S5 C TO F - 1 BEARING (DEDICATED) PARTS DRAWING

TABLE 24. S5 C TO F - 1 BEARING (DEDICATED) PARTS LIST

Item	Part No.	Description	Qty
1	45-0328A	Complete PMG upfit Kit	1
2	410-10704	PMG Cover only included in Kit 45-0328A	1
	410-10705	NON PMG Cover (from 18/08/00)	
3	45-1082	Current PMG rotor/stator repair kit	1
4	45-1082	Current PMG rotor/stator repair kit	1
5	520-10780	NDE Bracket from (30/09/00)	1
6	45-0320	NDE Bearing Kit (Sealed) from (30/09/00)	1
7	520-10286	Exciter stator 65mm	1
	A052D940	Exciter stator 65mm Severe Environmental	1
8	QMSN	Main stator frame assy	1
9	520-10933	NDE air inlet cover (industrial)	1
10	QMSN	Main rotor assy	1

Item	Part No.	Description	Qty
11	520-1142	Exciter rotor 65mm to fit internal bore diameter 110mm	1
12	450-16016	Rotating rectifier assy	1
13	RSK-5001	Diode fwd/rev & varistor kit	1
14	QMSN	Main terminal board	1
15	520-10907	Terminal box end panel NDE from (20/09/1998)	1
	520-11026	Terminal box end panel NDE (EU Machine Dir.)	1
	520-10911	Terminal box end panel NDE (reverse entry)	1
	520-11028	Terminal box end panel NDE (reverse entry) (EU Machine Dir.)	1
	520-10918	Terminal box end panel NDE (pg gland)	1
	520-11032	Terminal box end panel NDE (pg gland) (EU Machine Dir.)	1
	520-10982	Terminal box end panel NDE (To fit DM110 AVR)	1
	520-10920	Terminal box end panel NDE (Railway App)	1
	520-11033	Terminal box end panel NDE (Railway App) (EU Machine Dir.)	1
	520-10914	Terminal box end panel NDE (reconnectable)	1
	520-10917	Terminal box end panel NDE (High Box)	1
	520-11030	Terminal box end panel NDE (High Box) (EU Machine Dir.)	1
16	520-10906	Terminal box end panel DE from (08/1998)	1
	520-11025	Terminal box end panel DE from (EU Machine Dir.)	1
	520-10910	Terminal box end panel DE (reverse entry)	1
	520-11027	Terminal box end panel DE (reverse entry) (EU Machine Dir.)	1
	520-10913	Terminal box end panel DE (reconnectable)	1
	520-10916	Terminal box end panel DE (High Box)	1
	520-11029	Terminal box end panel DE (High Box) (EU Machine Dir.)	1
17	520-10908	Terminal box side panel from (08/1998)	2
	520-10909	Terminal box side panel (Airfilters) from (08/1998)	2
	520-10921	Terminal box side panel (Railway App)	2
	520-11031	Terminal box side panel (Railway App) (EU Machine Dir.)	2
	520-10912	Terminal box side panel (pf control diff)	1
	520-11015	Terminal box side panel (reconnectable/airfilters) (EU Machine Dir.)	2
18	520-10536	Terminal box lid from (08/1998)	1
19	450-16414	AVR Cover (Where AVR fitted)	1

Item	Part No.	Description	Qty
	450-16417	AVR Cover (Where AVR not fitted)	1
20	450-16413	AVR Cover (Where AVR fitted)	1
21	450-16414	AVR Plastic Cover (EU Machine Dir.)	1
22	E000-23412/1P	AVR MX341 (standard series 3)	1
	E000-23408/1P	AVR MX341 UL	1
	E000-24403/1P	AVR AS440 (standard series 4)	1
	E000-24408/1P	AVR AS440 UL approved	1
	E000-23212/1P	AVR MX321	1
	E000-23215/1P	AVR MX321 UL	1
	A062Y338	AVR MX322	1
	A060B914	AVR DECS-150	1
23	45-0073	Heater 110-125V	1
	A053M968	Heater 110-125V UL Cert	1
	A040G624	Heater Kit 110-125V to incl term box for retro	1
	A053X252	Heater Kit 110-125V to incl term box for retro UL Cert	1
	45-0074	Heater 220-260V	1
	A053N002	Heater 220-260V UL Cert	1
	A040G620	Heater Kit 220-260V to incl term box for retro	1
	A053X255	Heater Kit 220-260V to incl term box for retro UL Cert	1
24	45-0024	Terminal box for heaters	1
25	A062E101	Adaptor SAE0 KIT (S5 Dedicated C-F)	1
	A062E113	Adaptor SAE0.5 KIT (S5 Dedicated C-F)	1
	A062E117	Adaptor SAE1 KIT (S5 Dedicated C-F)	1
	A062E120	Adaptor SAE1 KIT (S5 Dedicated F)	1
26	A060M586	DE Side Screen (Included in Adaptor Kits)	2
27	A056F129	DE Top and Bottom Screen (Included in Adaptor Kits)	2
28	45-0780	Coupling Kit SAE 14	1
	45-0781	Coupling Kit SAE 18	1
	45-0783	Coupling Kit SAE 17.75	1
	45-0782	Coupling Kit SAE 21	1

-

This page is intentionally blank.

24 S5 G to H - 1 Bearing (Dedicated)

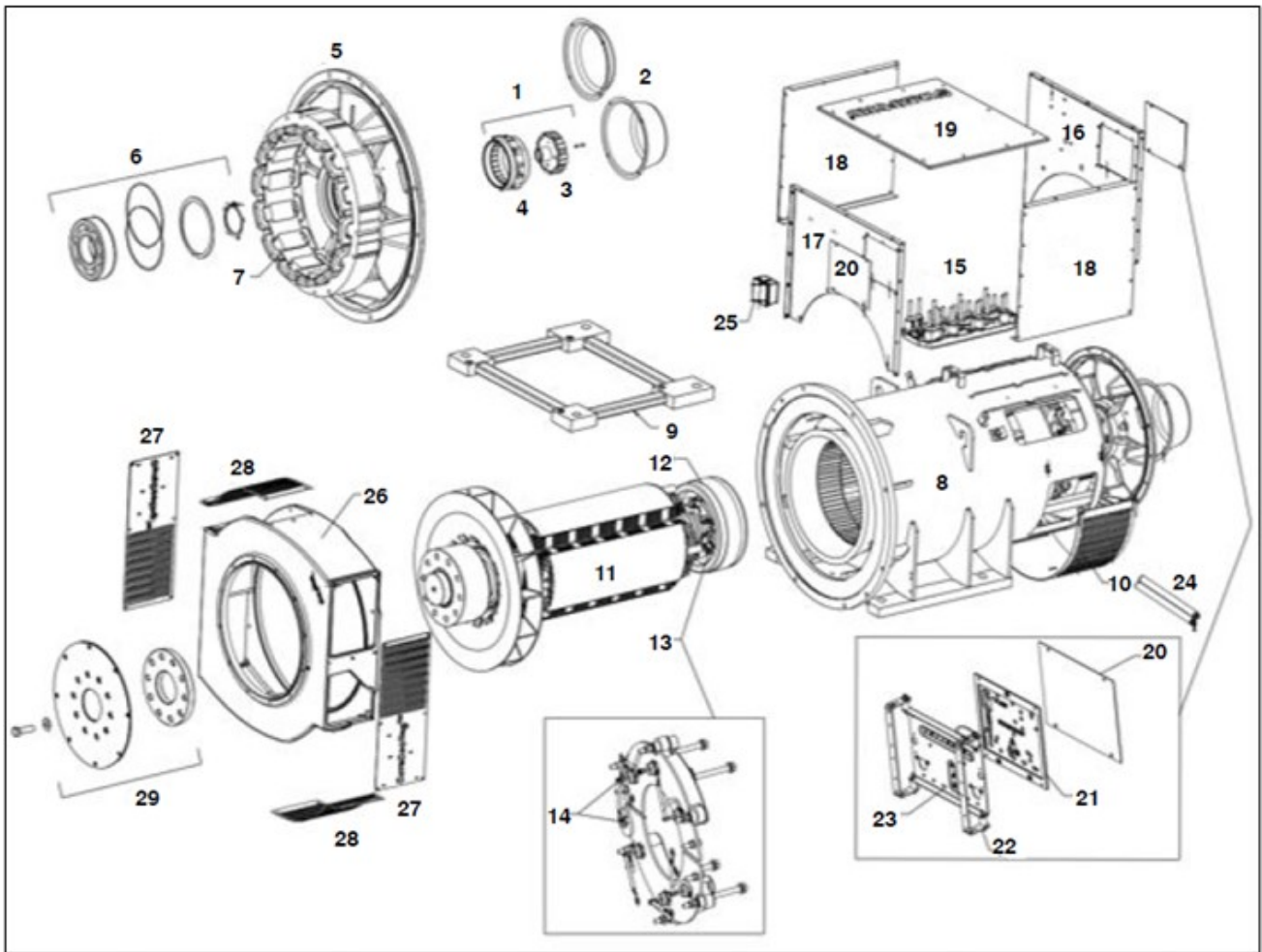


FIGURE 23. S5 G TO H - 1 BEARING (DEDICATED) PARTS DRAWING

TABLE 25. S5 G TO H - 1 BEARING (DEDICATED) PARTS LIST

Item	Part No.	Description	Qty
1	45-0328A	Complete PMG upfit Kit	1
2	410-10704	PMG Cover only included in Kit 45-0328A	1
	410-10705	NON PMG Cover (from 18/08/00)	
3	45-1082	Current PMG rotor/stator repair kit	1
4	45-1082	Current PMG rotor/stator repair kit	1
5	520-10780	NDE Bracket from (30/09/00)	1
6	45-0320	NDE Bearing Kit (Sealed) from (30/09/00)	1
7	520-10286	Exciter stator 65mm	1
	A052D940	Exciter stator 65mm Severe Environmental	1
8	QMSN	Main stator frame assy	1
9	A058G732	Foot Spacer	1

Item	Part No.	Description	Qty
10	520-10933	NDE air inlet cover (industrial)	1
11	QMSN	Main rotor assy	1
12	520-1142	Exciter rotor 65mm to fit internal bore diameter 110mm	1
13	450-16016	Rotating rectifier assy	1
14	RSK-5001	Diode fwd/rev & varistor kit	1
15	QMSN	Main terminal board	1
16	520-10907	Terminal box end panel NDE from (20/09/1998)	1
	520-11026	Terminal box end panel NDE (EU Machine Dir.)	1
	520-10911	Terminal box end panel NDE (reverse entry)	1
	520-11028	Terminal box end panel NDE (reverse entry) (EU Machine Dir.)	1
	520-10918	Terminal box end panel NDE (pg gland)	1
	520-11032	Terminal box end panel NDE (pg gland) (EU Machine Dir.)	1
	520-10982	Terminal box end panel NDE (To fit DM110 AVR)	1
	520-10920	Terminal box end panel NDE (Railway App)	1
	520-11033	Terminal box end panel NDE (Railway App) (EU Machine Dir.)	1
	520-10914	Terminal box end panel NDE (reconnectable)	1
	520-10917	Terminal box end panel NDE (High Box)	1
	520-11030	Terminal box end panel NDE (High Box) (EU Machine Dir.)	1
17	520-10906	Terminal box end panel DE from (08/1998)	1
	520-11025	Terminal box end panel DE from (EU Machine Dir.)	1
	520-10910	Terminal box end panel DE (reverse entry)	1
	520-11027	Terminal box end panel DE (reverse entry) (EU Machine Dir.)	1
	520-10913	Terminal box end panel DE (reconnectable)	1
	520-10916	Terminal box end panel DE (High Box)	1
	520-11029	Terminal box end panel DE (High Box) (EU Machine Dir.)	1
18	A059B265	Terminal box side panel for S5 G/H	2
19	520-10536	Terminal box lid from (08/1998)	1
20	450-16414	AVR Cover (Where AVR fitted)	1
	450-16417	AVR Cover (Where AVR not fitted)	1
21	450-16413	AVR Cover (Where AVR fitted)	1
22	45-0742	AVR Plastic Cover (EU Machine Dir.)	1
23	E000-23412/1P	AVR MX341 (standard series 3)	1
	E000-23408/1P	AVR MX341 UL	1

Item	Part No.	Description	Qty
	E000-24403/1P	AVR AS440 (standard series 4)	1
	E000-24408/1P	AVR AS440 UL approved	1
	E000-23212/1P	AVR MX321	1
	E000-23215/1P	AVR MX321 UL	1
	A062Y338	AVR MX322	1
	A060B914	AVR DECS-150	1
24	45-0073	Heater 110-125V	1
	A053M968	Heater 110-125V UL Cert	1
	A040G624	Heater Kit 110-125V to incl term box for retro	1
	A053X252	Heater Kit 110-125V to incl term box for retro UL Cert	1
	45-0074	Heater 220-260V	1
	A053N002	Heater 220-260V UL Cert	1
	A040G620	Heater Kit 220-260V to incl term box for retro	1
	A053X255	Heater Kit 220-260V to incl term box for retro UL Cert	1
25	45-0024	Terminal box for heaters	1
26	A062E122	Adaptor SAE 0 KIT (S5 Dedicated G/H)	1
	A062E124	Adaptor SAE 0.5 KIT (S5 Dedicated G/H)	1
	A062E130	Adaptor SAE 1 KIT (S5 Dedicated G/H)	1
27	A061U440	DE Side Screen (Included in Adaptor Kits)	2
28	A056G699	DE Top and Bottom Screen (Included in Adaptor Kits)	2
29	A057L700	Coupling Disk SAE 14 KIT	1
	A057L703	Coupling Disk SAE 18 KIT	1

-

This page is intentionally blank.

25 S5 C to F - 1 Bearing

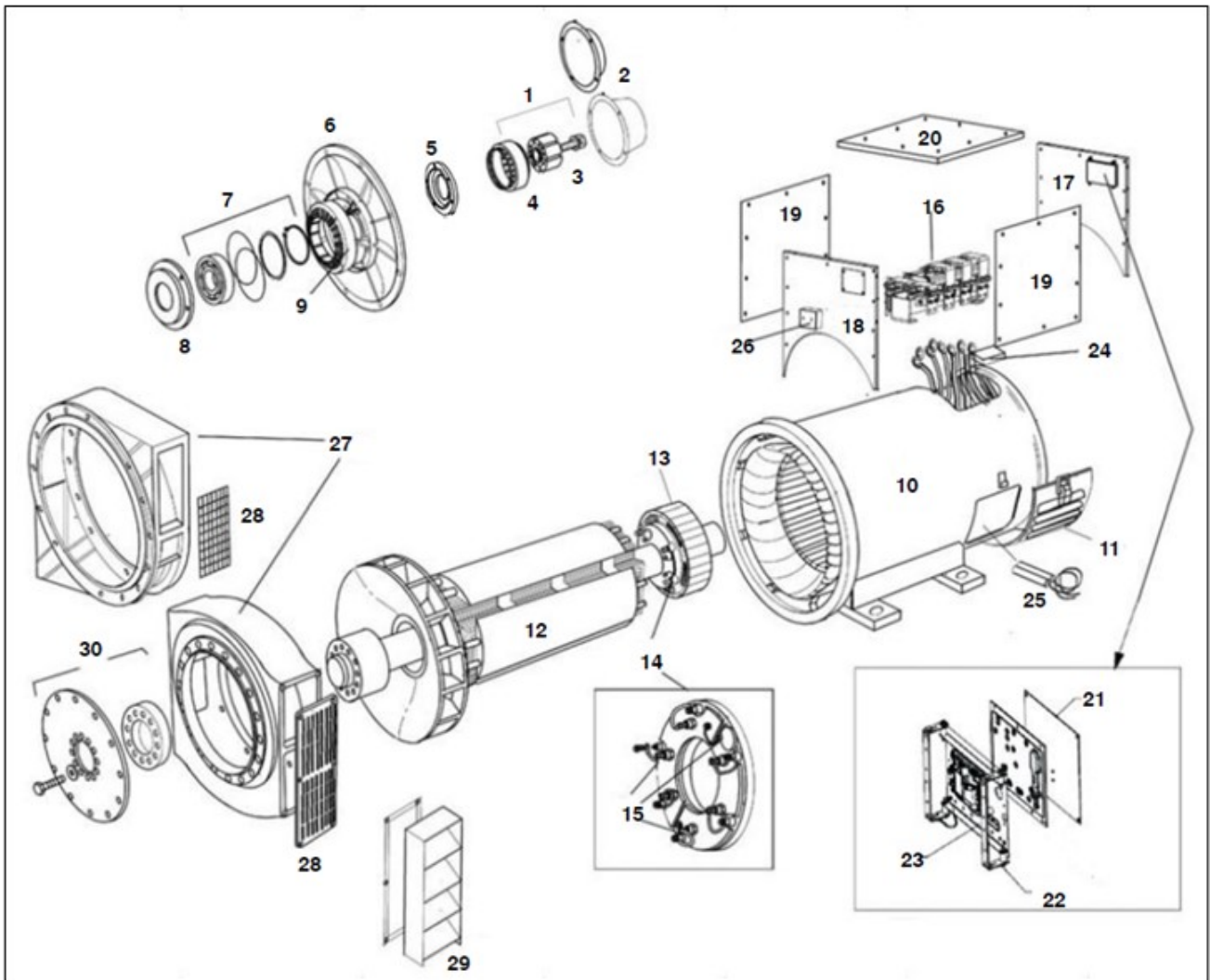


FIGURE 24. S5 C TO F - 1 BEARING PARTS DRAWING

TABLE 26. S5 C TO F - 1 BEARING PARTS LIST

Item	Part No.	Description	Qty
1	45-0328A	Complete PMG upfit kit	1
2	410-10704	PMG Cover only included in Kit 45-0328A	1
	410-10705	NON PMG Cover(from 18/08/00)	1
3	45-1082	Current PMG rotor/stator repair kit	1
4	45-1082	Current PMG rotor/stator repair kit	1
5	520-10812	NDE Bearing cap (regreaseable brg)	1
6	520-10810	NDE Bracket (regreaseable brg)	1
7	45-0320	NDE Bearing Kit (Sealed) from (30/09/00)	1
	45-1099	NDE Regrease bearing kit	1
8	520-10811	NDE Bearing cartridge from (20/09/2000)	1

Item	Part No.	Description	Qty
9	520-10286	Exciter stator 65mm	1
	A052D940	Exciter stator 65mm Severe Environmental	1
10	QMSN	Main stator frame assy	1
11	462-20100	NDE Air inlet cover (louvred)	1
	520-10933	NDE air inlet cover (industrial)	1
12	QMSN	Main rotor assy	1
13	520-1142	Exciter rotor 65mm to fit internal bore diameter 110mm	1
14	450-16016	Rotating rectifier assy	1
15	RSK-5001	Diode fwd/rev & varistor kit	1
16	QMSN	Main terminal board	1
17	520-10907	Terminal box end panel NDE from (20/09/1998)	1
	520-11026	Terminal box end panel NDE (EU Machine Dir.)	1
	520-10911	Terminal box end panel NDE (reverse entry)	1
	520-11028	Terminal box end panel NDE (reverse entry) (EU Machine Dir.)	1
	520-10918	Terminal box end panel NDE (pg gland)	1
	520-11032	Terminal box end panel NDE (pg gland) (EU Machine Dir.)	1
	520-10982	Terminal box end panel NDE (To fit DM110 AVR)	1
	520-10920	Terminal box end panel NDE (Railway App)	1
	520-11033	Terminal box end panel NDE (Railway App) (EU Machine Dir.)	1
	520-10914	Terminal box end panel NDE (reconnectable)	1
	520-10917	Terminal box end panel NDE (High Box)	1
	520-11030	Terminal box end panel NDE (High Box) (EU Machine Dir.)	1
18	520-10906	Terminal box end panel DE from (08/1998)	1
	520-11025	Terminal box end panel DE from (EU Machine Dir.)	1
	520-10910	Terminal box end panel DE (reverse entry)	1
	520-11027	Terminal box end panel DE (reverse entry) (EU Machine Dir.)	1
	520-10913	Terminal box end panel DE (reconnectable)	1
	520-10916	Terminal box end panel DE (High Box)	1
	520-11029	Terminal box end panel DE (High Box) (EU Machine Dir.)	1
19	520-10908	Terminal box side panel from (08/1998)	2
	520-10909	Terminal box side panel (Airfilters) from (08/1998)	2
	520-10921	Terminal box side panel (Railway App)	2

Item	Part No.	Description	Qty
	520-11031	Terminal box side panel (Railway App) (EU Machine Dir.)	2
	520-10912	Terminal box side panel (pf control diff)	1
	520-11015	Terminal box side panel (reconnectable/airfilters) (EU Machine Dir.)	2
20	520-10536	Terminal box lid from (08/1998)	1
21	450-14310	AVR Cover plate	1
	450-16417	AVR Cover (EU Machine Dir. No mounting bracket) x 1	1
	450-16413	AVR Plastic Cover (EU Machine Dir.)	1
22	45-0742	AVR Mounting bracket	1
23	E000-23412/1P	AVR MX341 (standard series 3)	1
	E000-23408/1P	AVR MX341 UL	1
	E000-24403/1P	AVR AS440 (standard series 4)	1
	E000-24408/1P	AVR AS440 UL approved	1
	E000-23212/1P	AVR MX321	1
	E000-23215/1P	AVR MX321 UL	1
	A062Y338	AVR MX322	1
	A060B914	AVR DECS-150	1
24	450-15489	Auxiliary terminal board	2
25	45-0073	Heater 110-125V	1
	A053M968	Heater 110-125V UL Cert	1
	A040G624	Heater Kit 110-125V to incl term box for retro	1
	A053X252	Heater Kit 110-125V to incl term box for retro UL Cert	1
	45-0074	Heater 220-260V	1
	A053N002	Heater 220-260V UL Cert	1
	A040G620	Heater Kit 220-260V to incl term box for retro	1
	A053X255	Heater Kit 220-260V to incl term box for retro UL Cert	1
26	45-0024	Terminal box for heaters	1
27	45-0667	DE Adaptor Kit SAE 0	1
	A051Y674	DE Adaptor Kit (SAE 0 round/heavy duty)	1
	45-0666	DE Adaptor Kit SAE 00	1
	45-0668	DE Adaptor Kit SAE 0.5	1
	45-0669	DE Adaptor Kit SAE 1	1
	45-0917	DE Adaptor Kit (SAE 1 round/heavy duty)	1
	45-0802	DE Adaptor Kit (SAE 1 round)	1
28	See No. 27	DE Screen (Included in Adaptor Kits)	2
29	45-0655	DE Louvre SAE 0 & 0.5 & 1	1

Item	Part No.	Description	Qty
	45-0654	DE Louvre SAE -00	1
30	45-0780	Coupling Kit SAE 14	1
	45-0781	Coupling Kit SAE 18	1
	45-0783	Coupling Kit SAE 17.75	1
	45-0782	Coupling Kit SAE 21	1

26 S5 C to F - 2 Bearing

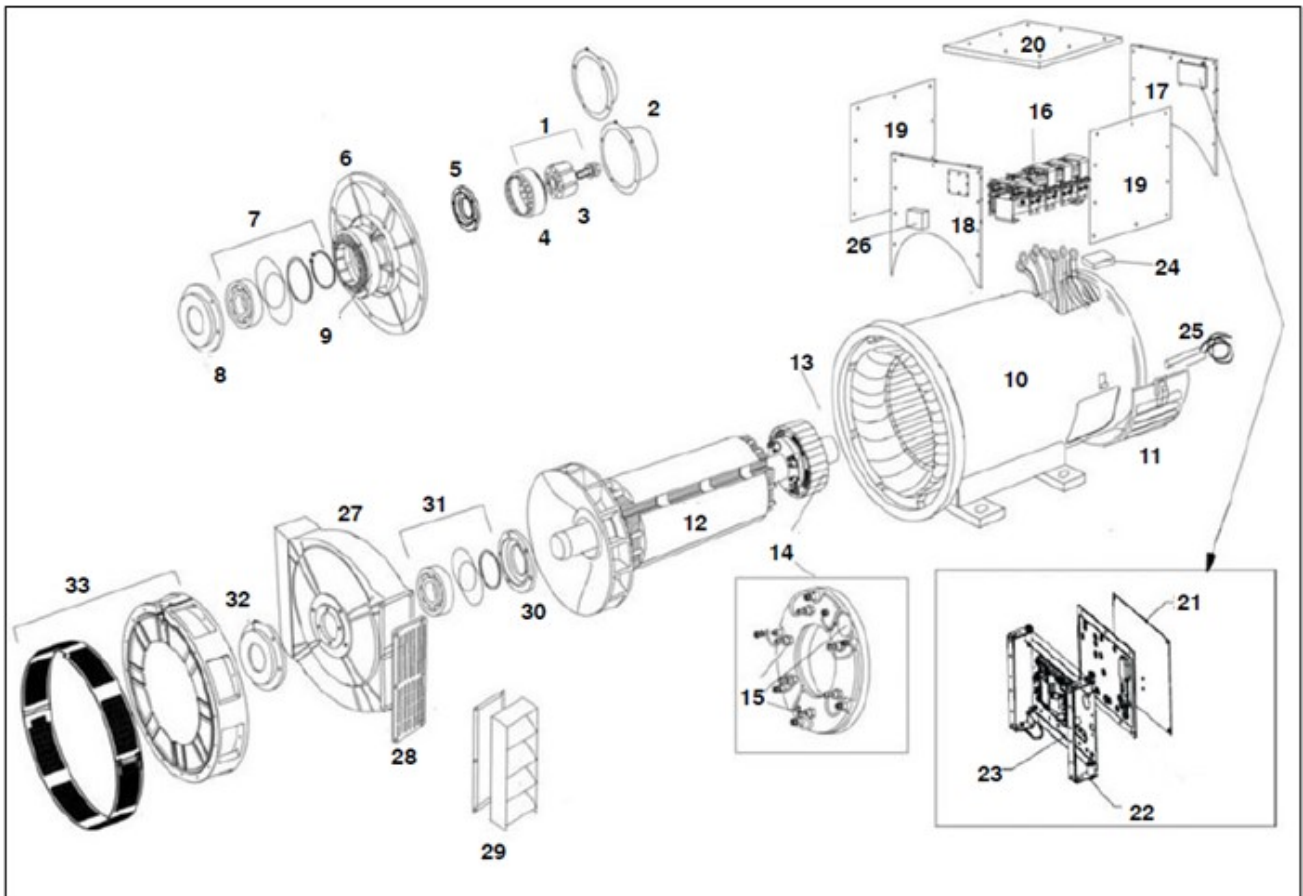


FIGURE 25. S5 C TO F - 2 BEARING PARTS DRAWING

TABLE 27. S5 C TO F - 2 BEARING PARTS LIST

Item	Part No.	Description	Qty
1	45-0328A	Complete PMG upfit kit	1
2	410-10704	PMG Cover only included in Kit 45-0328A	1
	410-10705	NON PMG Cover(from 18/08/00)	1
3	45-1082	Current PMG rotor/stator repair kit	1
4	45-1082	Current PMG rotor/stator repair kit	1
5	520-10812	NDE Bearing cap (regreaseable brg)	1
6	520-10780	NDE Bracket from (30/09/00)	1
	520-10810	NDE bracket (regreaseable brg)	1
7	45-0320	NDE Bearing Kit (Sealed) from (30/09/00)	1
	45-1099	NDE Bearing kit (regrease)	1
8	520-10811	NDE Bearing cartridge from (20/09/2000)	1
9	520-10286	Exciter stator 65mm	1
	A052D940	Exciter stator 65mm Severe Environmental	1

Item	Part No.	Description	Qty
10	QMSN	Main stator frame assy	1
11	462-20100	NDE Air inlet cover (louvred)	1
	520-10933	NDE air inlet cover (industrial)	1
12	QMSN	Main rotor assy	1
13	520-1142	Exciter rotor 65mm to fit internal bore diameter 110mm	1
14	450-16016	Rotating rectifier assy	1
15	RSK-5001	Diode fwd/rev & varistor kit	1
16	QMSN	Main terminal board	1
17	520-10907	Terminal box end panel NDE from (20/09/1998)	1
	520-11026	Terminal box end panel NDE (EU Machine Dir.)	1
	520-10911	Terminal box end panel NDE (reverse entry)	1
	520-11028	Terminal box end panel NDE (reverse entry) (EU Machine Dir.)	1
	520-10918	Terminal box end panel NDE (pg gland)	1
	520-11032	Terminal box end panel NDE (pg gland) (EU Machine Dir.)	1
	520-10982	Terminal box end panel NDE (To fit DM110 AVR)	1
	520-10920	Terminal box end panel NDE (Railway App)	1
	520-11033	Terminal box end panel NDE (Railway App) (EU Machine Dir.)	1
	520-10914	Terminal box end panel NDE (reconnectable)	1
	520-10917	Terminal box end panel NDE (High Box)	1
	520-11030	Terminal box end panel NDE (High Box) (EU Machine Dir.)	1
18	520-10906	Terminal box end panel DE from (08/1998)	1
	520-11025	Terminal box end panel DE from (EU Machine Dir.)	1
	520-10910	Terminal box end panel DE (reverse entry)	1
	520-11027	Terminal box end panel DE (reverse entry) (EU Machine Dir.)	1
	520-10913	Terminal box end panel DE (reconnectable)	1
	520-10916	Terminal box end panel DE (High Box)	1
	520-11029	Terminal box end panel DE (High Box) (EU Machine Dir.)	1
19	520-10908	Terminal box side panel from (08/1998)	2
	520-10909	Terminal box side panel (Airfilters) from (08/1998)	2
	520-10921	Terminal box side panel (Railway App)	2
	520-11031	Terminal box side panel (Railway App) (EU Machine Dir.)	2
	520-10912	Terminal box side panel (pf control diff)	1

Item	Part No.	Description	Qty
	520-11015	Terminal box side panel (reconnectable/airfilters) (EU Machine Dir.)	2
20	520-10536	Terminal box lid from (08/1998)	1
21	450-14310	AVR Cover plate	1
	450-16417	AVR Cover (EU Machine Dir. No mounting bracket) x 1	1
	450-16413	AVR Plastic Cover (EU Machine Dir.)	1
22	45-0742	AVR Mounting bracket	1
23	E000-23412/1P	AVR MX341 (standard series 3)	1
	E000-23408/1P	AVR MX341 UL	1
	E000-24403/1P	AVR AS440 (standard series 4)	1
	E000-24408/1P	AVR AS440 UL approved	1
	E000-23212/1P	AVR MX321	1
	E000-23215/1P	AVR MX321 UL	1
	A062Y338	AVR MX322	1
	A060B914	AVR DECS-150	1
24	450-15489	Auxiliary terminal board	2
25	45-0073	Heater 110-125V	1
	A053M968	Heater 110-125V UL Cert	1
	A040G624	Heater Kit 110-125V to incl term box for retro	1
	A053X252	Heater Kit 110-125V to incl term box for retro UL Cert	1
	45-0074	Heater 220-260V	1
	A053N002	Heater 220-260V UL Cert	1
	A040G620	Heater Kit 220-260V to incl term box for retro	1
	A053X255	Heater Kit 220-260V to incl term box for retro UL Cert	1
26	45-0024	Terminal box for heaters	1
27	462-11170	DE Bracket to (29/09/2000)	1
	520-10557	DE Bracket from (29/09/2000)	1
28	462-10260	DE Bracket screen	2
29	45-0656	DE Louvre Kit	2
30	520-10776	DE Bearing cartridge from (30/09/2000)	1
	520-10816	DE Bearing cartridge (regrease)	1
31	45-0321	DE Bearing kit (Sealed) from (30/09/2000)	1
	45-1100	DE Bearing kit (regrease)	1
32	520-10778	DE Bearing cap outer from (30/09/2000)	1
	520-10818	DE Bearing cap (regrease)	1
33	45-0679	2 Brg Adaptor kit SAE 0	1
	45-0932	2 Brg Adaptor kit SAE 0 DIN	1

Item	Part No.	Description	Qty
	45-0680	2 Brg Adaptor kit SAE 0.5	1
	45-0681	2 Brg Adaptor kit SAE 1	1
	45-0808	2 Brg Adaptor kit SAE 1 DIN	1
	45-0678	2 Brg Adaptor kit SAE 00	1
34	Included in 33	DE Cover Screen (Included in Kits)	1
		NOTE:- Regrease option is not retrofittable	

27 HC634 G to K - 1 Bearing Ser 3

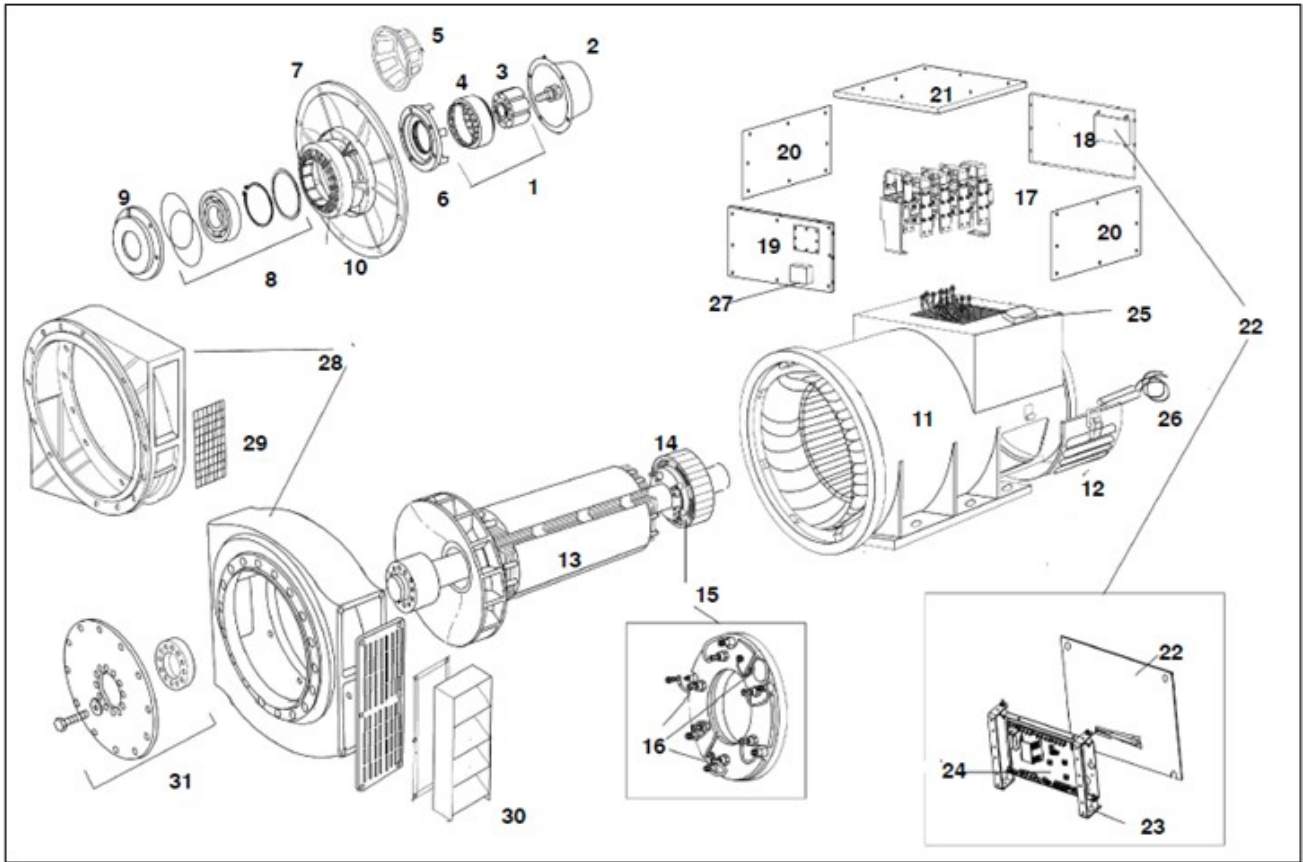


FIGURE 26. HC634 G TO K - 1 BEARING SER 3 PARTS DRAWING

TABLE 28. HC634 G TO K - 1 BEARING SER 3 PARTS LIST

Item	Part No.	Description	Qty
1	45-0060A	Complete PMG upfit kit to (10/05/01) (Obsolete)	1
	45-0341A	Complete PMG upfit kit from (10/05/01)	1
2	760-10562	PMG Cover (Cover included in above kit)	1
3	45-1082	Current PMG Rotor/stator repair kit	1
4	45-1082	Current PMG Rotor/stator repair kit	1
5	See No.1	PMG Crown (if fitted)	1
6	660-10071	NDE Bearing cap to (10/05/01)	1
	660-10864	NDE Bearing cap from (10/05/01)	1
7	660-10064	NDE Bracket to (10/05/01)	1
	660-10860	NDE Bracket from (10/05/01)	1
8	45-0297	NDE Bearing kit (Sealed) to (10/05/01)	1
	45-0340	NDE Bearing kit (Sealed) from (10/05/01)	1
	45-0343	NDE Bearing kit (REGREASE)	1
9	462-12920	NDE Bearing cartridge to (10/05/01)	1

Item	Part No.	Description	Qty
	660-10862	NDE Bearing cartridge from (10/05/01	1
10	366-40800	Exciter stator 75mm	1
	A052D957	Exciter stator 75mm Severe Environmental	1
11	QMSN	Main stator frame assy	1
12	660-11565	NDE Air inlet cover (industrial)	1
	464-31600	NDE air inlet cover (marine)	1
	464-32100	NDE air inlet cover (airfilters)	1
13	QMSN	Main rotor assy	1
14	660-1010	Exciter rotor 75mm	1
15	450-16025	Rotating rectifier assy	1
16	RSK-6001	Diode fwd/rev & varistor kit	1
17	QMSN	Main terminal board	1
18	660-10653	Terminal box end panel NDE	1
	660-11682	Terminal box end panel NDE (EU Machine Dir.)	1
	660-10655	Terminal box end panel NDE (PG Gland & diff protection)	1
	660-11684	Terminal box end panel NDE (PG Gland & diff protection) (EU Machine Dir.)	1
	660-10925	Terminal box end panel NDE (HI-reconnectable)	1
	660-11689	Terminal box end panel NDE (HI-reconnectable) (EU Machine Dir.)	1
	660-11220	Terminal box end panel NDE (HI-Airfilters)	1
	660-11691	Terminal box end panel NDE (HI-Airfilters) (EU Machine Dir.)	1
	660-11604	Terminal box end panel NDE (Standard digital AVR)	1
19	660-10652	Terminal box end panel DE	1
	660-11681	Terminal box end panel DE (EU Machine Dir.)	1
	660-10654	Terminal box end panel DE(Diff/Protection)	1
	660-11683	Terminal box end panel DE(Diff/Protection) (EU Machine Dir.)	1
	660-10784	Terminal box end panel DE (PG Gland or standard digital AVR)	1
	660-11687	Terminal box end panel DE (PG Gland or standard digital AVR) (EU Machine Dir.)	1
	660-10783	Terminal box end panel DE (PG Gland diff protection)	1
	660-11686	Terminal box end panel DE (PG Gland diff protection) (EU Machine Dir.)	1
	660-10924	Terminal box end panel DE (HI-Reconnectable)	1
	660-11688	Terminal box end panel DE (HI-Reconnectable) (EU Machine Dir.)	1

Item	Part No.	Description	Qty
	660-11219	Terminal box end panel DE (HI-Airfilters)	1
	660-11690	Terminal box end panel DE (HI-Airfilters) (EU Machine Dir.)	1
20	660-10650	Terminal box side panel	2
	660-11242	Terminal box side panel (Airfilter)	2
	660-10923	Terminal box side panel (Hi-Reconnectable & A/F)	2
21	660-10651	Terminal box lid	1
22	450-15254	AVR Cover plate (access)	1
	450-16417	AVR Cover plate (access) (EU Machine Dir.)	1
	450-16413	AVR Plastic Cover (EU Machine Dir.)	1
	450-14310	AVR Cover plate (blanking)	1
23	45-0742	AVR Mounting bracket	1
24	E000-23412/1P	AVR MX341 (standard series 3)	1
	E000-23408/1P	AVR MX341 UL	1
	E000-23212/1P	AVR MX321	1
	E000-23215/1P	AVR MX321 UL	1
	E000-23800	AVR DM110	1
	A062Y338	AVR MX322	1
	A060B914	AVR DECS-150	1
25	003-14055	Auxiliary terminal board	2
26	45-0073	Heater Kit 110-125 volt	1
	A053M968	Heater Kit 110-125 volt UL Cert	1
	A040G624	Heater Kit 110-125v to incl term box for retro	1
	A053X252	Heater Kit 110-125v to incl term box for retro UL Cert	1
	45-0074	Heater 220-260 volt	1
	A053N002	Heater 220-260 volt UL Cert	1
	A040G620	Heater Kit 220-260v to incl term box for retro	1
	A053X255	Heater Kit 220-260v to incl term box for retro UL Cert	1
27	45-0024	Terminal box for heaters	1
28	45-0943	DE Adaptor Kit SAE 0	1
	45-0944	DE Adaptor Kit SAE 0.5	1
	45-0937	DE Adaptor Kit SAE 1	1
	45-0945	DE Adaptor Kt SAE 0 round	1
	45-0942	DE Adaptor Kit SAE 00	1
29	See No. 30	DE SCREEN (Included in Adaptor Kits)	2
30	45-0658	DE Louvre SAE 0 & 0.5 & 1	1
	45-0657	DE Louvre SAE-00	1

Item	Part No.	Description	Qty
31	45-0788	Coupling Kit SAE 14	1
	45-0789	Coupling Kit SAE 18	1
	45-0791	Coupling Kit SAE 17.75	1
	45-0790	Coupling Kit SAE 21	1

28 HC634 G to K - 2 Bearing Ser 3

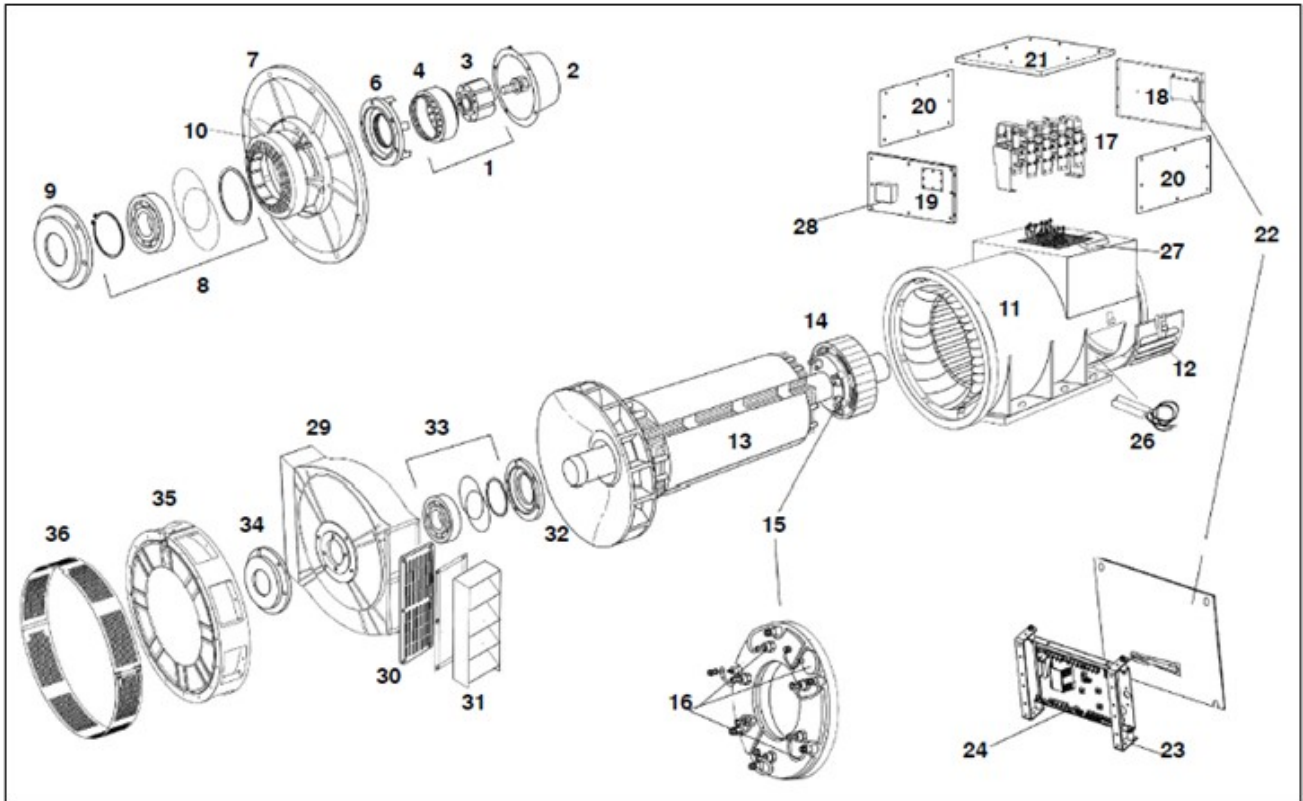


FIGURE 27. HC634 G TO K - 2 BEARING SER 3 PARTS DRAWING

TABLE 29. HC634 G TO K - 2 BEARING SER 3 PARTS LIST

Item	Part No.	Description	Qty
1	45-0060A	Complete PMG upfit kit to (10/05/01)	1
	45-0341A	Complete PMG upfit kit from (10/05/01)	1
2	760-10562	PMG Cover (Cover included in above kit)	1
3	45-1082	Current PMG Rotor/stator repair kit	1
4	45-1082	Current PMG Rotor/stator repair kit	1
5	See No.1	PMG Crown (if fitted)	1
6	660-10071	NDE Bearing cap to (10/05/01)	1
	660-10864	NDE Bearing cap from (10/05/01)	1
7	660-10064	NDE Bracket to (10/05/01)	1
	660-10860	NDE Bracket from (10/05/01)	1
8	45-0295	NDE Bearing Kit (Sealed) to (10/05/01)	1
	45-0340	NDE Bearing Kit (Sealed) from (10/05/98)	1
	45-0343	NDE Bearing Kit (REGREASE)	1
9	462-12920	NDE Bearing cartridge to (10/05/01)	1
	660-10862	NDE Bearing cartridge from (10/05/01)	1

Item	Part No.	Description	Qty
10	366-40800	Exciter stator 75mm	1
	A052D957	Exciter stator 75mm Severe Environmental	1
11	QMSN	Main stator frame assy	1
12	660-11565	NDE Air inlet cover (industrial)	1
	464-31600	NDE Air inlet cover (marine)	1
	464-32100	NDE Air inlet cover (Airfilters)	1
13	QMSN	Main rotor assy	1
14	660-1010	Exciter rotor 75mm	1
15	450-16025	Rotating rectifier assy	1
16	RSK-6001	Diode fwd/rev & varistor kit	1
17	QMSN	Main terminal board	1
18	660-10653	Terminal box end panel NDE	1
	660-11682	Terminal box end panel NDE (EU Machine Dir.)	1
	660-10655	Terminal box end panel NDE (PG Gland & diff protection)	1
	660-11684	Terminal box end panel NDE (PG Gland & diff protection) (EU Machine Dir.)	1
	660-10925	Terminal box end panel NDE (HI-Reconnectable)	1
	660-11689	Terminal box end panel NDE (HI-Reconnectable) (EU Machine Dir.)	1
	660-11220	Terminal box end panel NDE HI-Airfilters)	1
	660-11691	Terminal box end panel NDE HI-Airfilters) (EU Machine Dir.)	1
	660-11604	Terminal box end panel NDE (Standard digital AVR)	1
19	660-10652	Terminal box end panel DE	1
	660-11681	Terminal box end panel DE (EU Machine Dir.)	1
	660-10654	Terminal box end panel DE (diff/protection)	1
	660-11683	Terminal box end panel DE (diff/protection) (EU Machine Dir.)	1
	660-10784	Terminal box end panel DE (PG Gland or standard digital AVR)	1
	660-11687	Terminal box end panel DE (PG Gland or standard digital AVR) (EU Machine Dir.)	1
	660-10783	Terminal box end panel DE (PG Gland diff protection)	1
	660-11686	Terminal box end panel DE (PG Gland diff protection) (EU Machine Dir.)	1
	660-10924	Terminal box end panel DE (HI-Reconnectable)	1
	660-11686	Terminal box end panel DE (HI-Reconnectable) (EU Machine Dir.)	1
	660-11219	Terminal box end panel DE (HI-Airfilters)	1

Item	Part No.	Description	Qty
	660-11690	Terminal box end panel DE (HI-Airfilters) (EU Machine Dir.)	1
20	660-10650	Terminal box side panel	2
	660-11242	Terminal box side panel (Airfilter)	2
	660-10923	Terminal box side panel (HI-Reconnectable & A/F)	2
21	660-10651	Terminal box lid	1
22	450-15254	AVR Cover plate (access)	1
	450-16417	AVR Cover plate (access) (EU Machine Dir.)	1
	450-16413	AVR Plastic Cover (EU Machine Dir.)	1
	450-14310	AVR Cover plate (blanking)	1
23	45-0742	AVR Mounting bracket	1
24	E000-23412/1P	AVR MX341 (standard series 3)	1
	E000-23408/1P	AVR MX341 UL	1
	E000-23212/1P	AVR MX321	1
	E000-23215/1P	AVR MX321 UL	1
	E000-23800	AVR DM110	1
	A062Y338	AVR MX322	1
	A060B914	AVR DECS-150	1
25	003-14055	Auxiliary terminal board	2
26	003-14055	Auxiliary terminal board	2
27	45-0073	Heater Kit 110-125 volt	1
	A053M968	Heater Kit 110-125 volt UL Cert	1
	A040G624	Heater Kit 110-125v to incl term box for retro	1
	A053X252	Heater Kit 110-125v to incl term box for retro UL Cert	1
	45-0074	Heater 220-260 volt	1
	A053N002	Heater 220-260 volt UL Cert	1
	A040G620	Heater Kit 220-260v to incl term box for retro	1
	A053X255	Heater Kit 220-260v to incl term box for retro UL Cert	1
28	45-0024	Terminal Box for Heaters	1
29	464-15630	DE Bracket to (25/04/98)	1
	660-10868	DE Bracket from (25/04/98)	1
30	464-15650	DE Bracket screen	2
31	45-0659	DE Louvre	2
32	464-15090	DE Bearing cartridge to (25/04/98)	1
	660-10870	DE Bearing cartridge from (25/04/98)	1
33	45-0294	DE Bearing Kit (Sealed) to (25/04/98)	1
	45-0339	DE Bearing Kt (Sealed) from (25/04/98)	1

Item	Part No.	Description	Qty
	45-0342	DE Bearing Kt (REGREASE)	1
34	660-10074	DE Bearing cap outer to (25/04/98)	1
	660-10872	DE Bearing cap outer from (25/04/98)	1
35	45-0683	2 Brg Adaptor Kit (SAE 0)	1
	45-0682	2 Brg Adaptor Kit (SAE 00)	1
36	Included in 34	DE Cover Screen (Included in Kits)	1

29 S6 C to H - 1 Bearing (Dedicated)

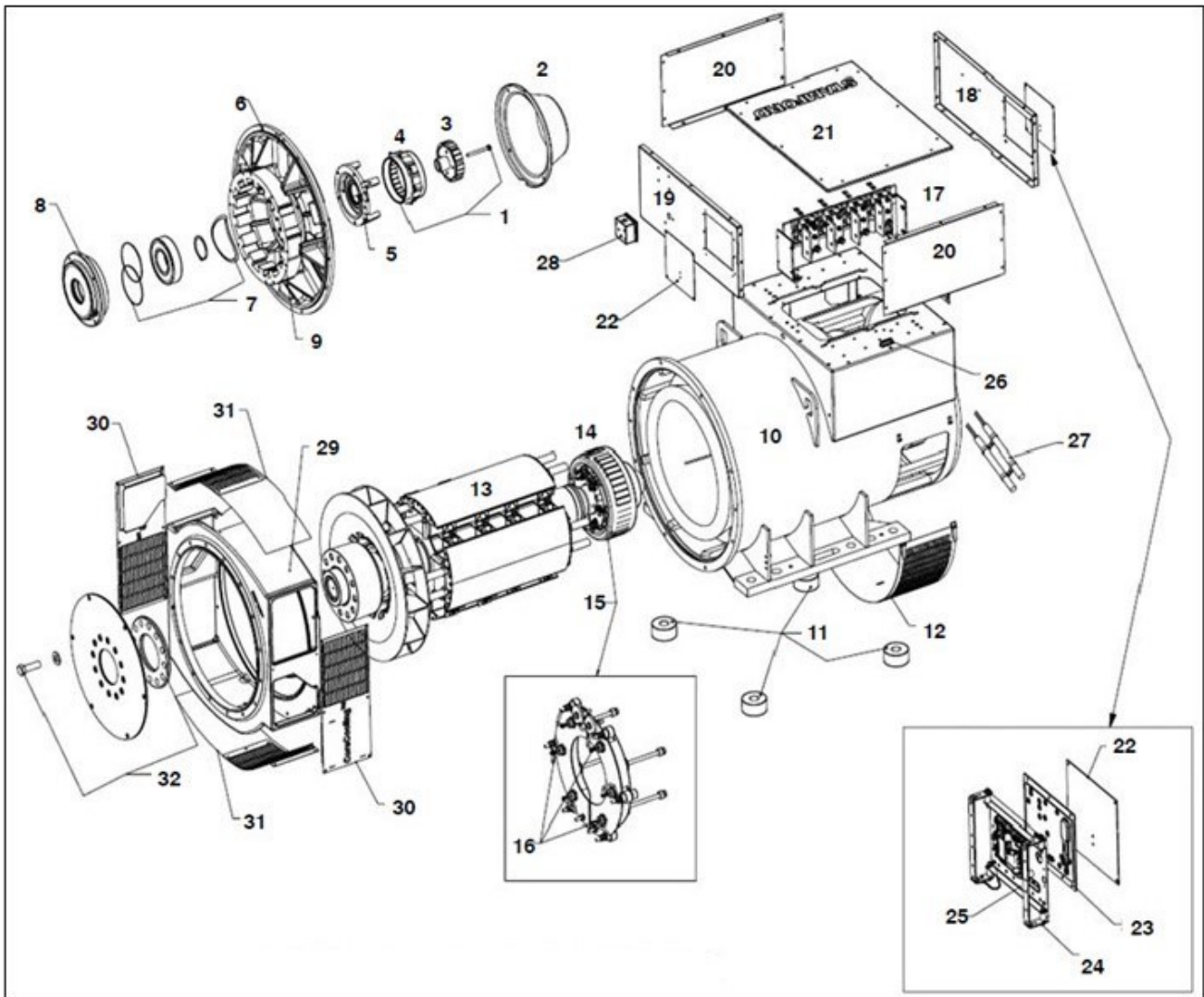


FIGURE 28. S6 C TO H - 1 BEARING (DEDICATED) PARTS DRAWING

TABLE 30. S6 C TO H - 1 BEARING (DEDICATED) PARTS LIST

Item	Part No.	Description	Qty
1	45-0341A	Complete PMG Upfit Kit	1
2	760-10562	PMG Cover (Cover Included in Item 1)	1
3	45-1082	Current PMG Rotor/Stator Repair Kit	1
4	45-1082	Current PMG Rotor/Stator Repair Kit	1
5	660-10864	NDE Bearing cap	1
6	660-10860	NDE Bracket	1
7	45-0340	NDE Bearing kit (Sealed)	1
8	660-10862	NDE Bearing cartridge	1
9	A057B916	Exciter stator 65mm C to D core	1
	A057B918	Exciter stator 75mm E to H core	1

Item	Part No.	Description	Qty
10	QMSN	Main Stator frame assy	1
11	A057L515	Foot space	4
12	660-11565	NDE Air Inlet cover (industrial)	1
13	QMSN	Main Rotor Assy	1
14	A057B921	Exciter rotor 65mm C to D core	1
	A057B923	Exciter rotor 75mm E to H core	1
15	450-16025	Rotating rectifier assy	1
16	RSK-6001	Diode fwd/rev & varistor kit	1
17	QMSN	Main terminal board	1
18	660-11682	Terminal box end panel NDE (EU Machine Dir.)	1
	660-11689	Terminal box end panel NDE (Hi-reconnectable) (EU Machine Dir.)	1
	660-11604	Terminal box end panel NDE (Standard digital AVR)	1
19	660-11681	Terminal box end panel DE (EU Machine Dir.)	1
	660-11688	Terminal box end panel DE (Hi-reconnectable) (EU Machine Dir.)	1
	660-11687	Terminal box end panel DE (PG Gland or standard digital AVR) (EU Machine Dir.)	1
20	660-10650	Terminal box side panel	2
	660-10923	Terminal box side panel (Hi-Reconnectable & AF)	2
21	660-10651	Terminal box lid	1
22	450-16414	AVR Cover plate (EU Machine Dir.)	1
	450-16417	AVR Cover plate (access) (EU Machine Dir.)	1
23	450-16413	AVR Plastic Cover (EU Machine Dir.)	
24	45-0742	AVR Mounting bracket+D42C35:C35:N48	1
25	E000-23412/1P	AVR MX341 (Standard series 3)	1
	E000-23408/1P	AVR MX341 UL	1
	E000-23212/1P	AVR MX321	1
	E000-23215/1P	AVR MX321 UL	1
	A054S072	AVR DECS100	1
	A062Y338	AVR MX322	1
	A060B914	AVR DECS-150	1
26	003-14055	Auxiliary terminal board	2
27	45-0073	Heater Kit 110-125 volt	1
	A053M968	Heater Kit 110-125 volt UL Cert	1
	A040G624	Heater Kit 110-125v to incl term box for retro	1
	A053X252	Heater Kit 110-125v to incl term box for retro UL Cert	1

Item	Part No.	Description	Qty
	45-0074	Heater 220-260 volt	1
	A053N002	Heater 220-260 volt UL Cert	1
	A040G620	Heater Kit 220-260v to incl term box for retro	1
	A053X255	Heater Kit 220-260v to incl term box for retro UL Cert	1
28	45-0024	Terminal box for heaters	1
29	A058A512	S6 1B Adapter Kit SAE0 660Fan (C-F)	1
	A064Y191	S6 1B Adapter Kit SAE0 800Fan (G-H)	1
	A058A516	S6 1B Adapter Kit SAE1 660Fan (C-F)	1
	A064Y167	S6 1B Adapter Kit SAE00 800Fan (G-H)	1
30	A056G571	DE Adapter side cover 660 FAN (C-F) (Item Included in Item 29)	2
	A057E925	DE Adapter side cover 800 FAN (G-H) (Item Included in Item 29)	2
31	A056G699	DE Adapter Top & Bottom cover SAE0,1 660 FAN (C-F) (Item Included in Item 29)	2
	A057E939	DE Adapter Top & Bottom cover SAE0 800 FAN (G-H) (Item Included in Item 29)	2
	A057J578	DE Adapter Top & Bottom cover SAE00 800 FAN (G-H) (Item Included in Item 29)	2
32	45-0788	Coupling Kit SAE 14	1
	45-0789	Coupling Kit SAE 18	1
	45-0790	Coupling Kit SAE 21	1

-

This page is intentionally blank.

30 S6 C to H - 2 Bearing (Dedicated)

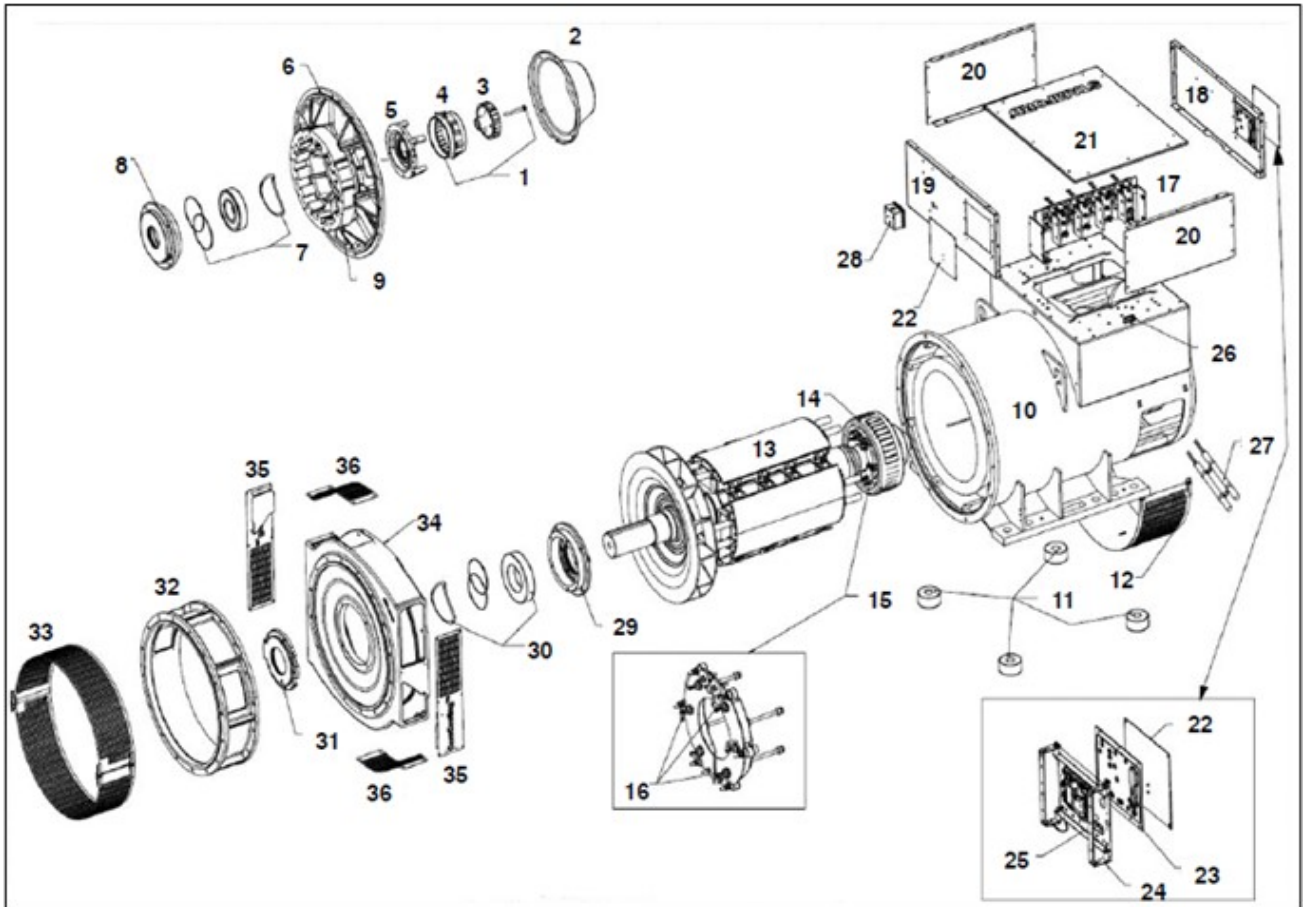


FIGURE 29. S6 C TO H - 2 BEARING (DEDICATED) PARTS DRAWING

TABLE 31. S6 C TO H - 2 BEARING (DEDICATED) PARTS LIST

Item	Part No.	Description	Qty
1	45-0341A	Complete PMG Upfit Kit	1
2	760-10562	PMG Cover (Cover Included in Item 1)	1
3	45-1082	Current PMG Rotor/Stator Repair Kit	1
4	45-1082	Current PMG Rotor/Stator Repair Kit	1
5	660-10864	NDE Bearing cap	1
6	660-10860	NDE Bracket	1
7	45-0340	NDE Bearing kit (Sealed)	1
8	660-10862	NDE Bearing cartridge	1
9	A057B916	Exciter stator 65mm C to D core	1
	A057B918	Exciter stator 75mm E to H core	1
10	QMSN	Main Stator frame assy	1
11	A057L515	Foot space	4
12	660-11565	NDE Air Inlet cover (industrial)	1

Item	Part No.	Description	Qty
13	QMSN	Main Rotor Assy	1
14	A057B921	Exciter rotor 65mm C to D core	1
	A057B923	Exciter rotor 75mm E to H core	1
15	450-16025	Rotating rectifier assy	1
16	RSK-6001	Diode fwd/rev & varistor kit	1
17	QMSN	Main terminal board	1
18	660-11682	Terminal box end panel NDE (EU Machine Dir.)	1
	660-11689	Terminal box end panel NDE (Hi-reconnectable) (EU Machine Dir.)	1
	660-11604	Terminal box end panel NDE (Standard digital AVR)	1
19	660-11681	Terminal box end panel DE (EU Machine Dir.)	1
	660-11688	Terminal box end panel DE (Hi-reconnectable) (EU Machine Dir.)	1
	660-11687	Terminal box end panel DE (PG Gland or standard digital AVR) (EU Machine Dir.)	1
20	660-10650	Terminal box side panel	2
	660-10923	Terminal box side panel (Hi-Reconnectable & AF)	2
21	660-10651	Terminal box lid	1
22	450-16414	AVR Cover plate (EU Machine Dir.)	1
	450-16417	AVR Cover plate (access) (EU Machine Dir.)	1
23	450-16413	AVR Plastic Cover (EU Machine Dir.)	
24	45-0742	AVR Mounting bracket+D42C35:C35:N48	1
25	E000-23412/1P	AVR MX341 (Standard series 3)	1
	E000-23408/1P	AVR MX341 UL	1
	E000-23212/1P	AVR MX321	1
	E000-23215/1P	AVR MX321 UL	1
	A054S072	AVR DECS100	1
	A062Y338	AVR MX322	1
	A060B914	AVR DECS-150	1
26	003-14055	Auxiliary terminal board	2
27	45-0073	Heater Kit 110-125 volt	1
	A053M968	Heater Kit 110-125 volt UL Cert	1
	A040G624	Heater Kit 110-125v to incl term box for retro	1
	A053X252	Heater Kit 110-125v to incl term box for retro UL Cert	1
	45-0074	Heater 220-260 volt	1
	A053N002	Heater 220-260 volt UL Cert	1
	A040G620	Heater Kit 220-260v to incl term box for retro	1

Item	Part No.	Description	Qty
	A053X255	Heater Kit 220-260v to incl term box for retro UL Cert	1
28	45-0024	Terminal box for heaters	1
29	A057U170	DE Bearing Cartridge (C-F)	1
	660-10870	DE Bearing Cartridge (G-H)	1
30	45-0339	DE Bearing Kit (Sealed)	1
31	A057U174	DE Bearing Cap Outer (C-F)	1
	660-10872	DE Bearing Cap Outer (G-H)	1
32	A058A539	2Brg Adapter Kit SAE0 800Fan (G-H)	1
	A058A533	2Brg Adapter Kit SAE00 800Fan (G-H)	1
	45-0683	2Brg Adapter Kit (SAE0) 660Fan (C-F)	1
	A028B524	2Brg Adapter Kit (SAE0+SAE1 Ring) 660Fan (C-F)	1
33	Included in Item 32	DE Cover Screen (Included in Kits)	1
34	A059M483	DE BRACKET-660mm FAN (C-F) Kit	1
	A059M485	DE BRACKET-800mm FAN (G-H) Kit	1
35	A056W894	DE Adapter side cover 660 FAN (C-F) (Included in Item 34)	2
	A057K006	DE Adapter side cover 800 FAN (G-H) (Included in Item 34)	2
36	A056W896	DE Adapter Top & Bottom cover2B, 660 FAN (C-F) (Included in Item 34)	2
	A057K009	DE Adapter Top & Bottom cover2B, 800 FAN (G-H) (Included in Item 34)	2

-

This page is intentionally blank.

31 P7 A to G - 1 Bearing

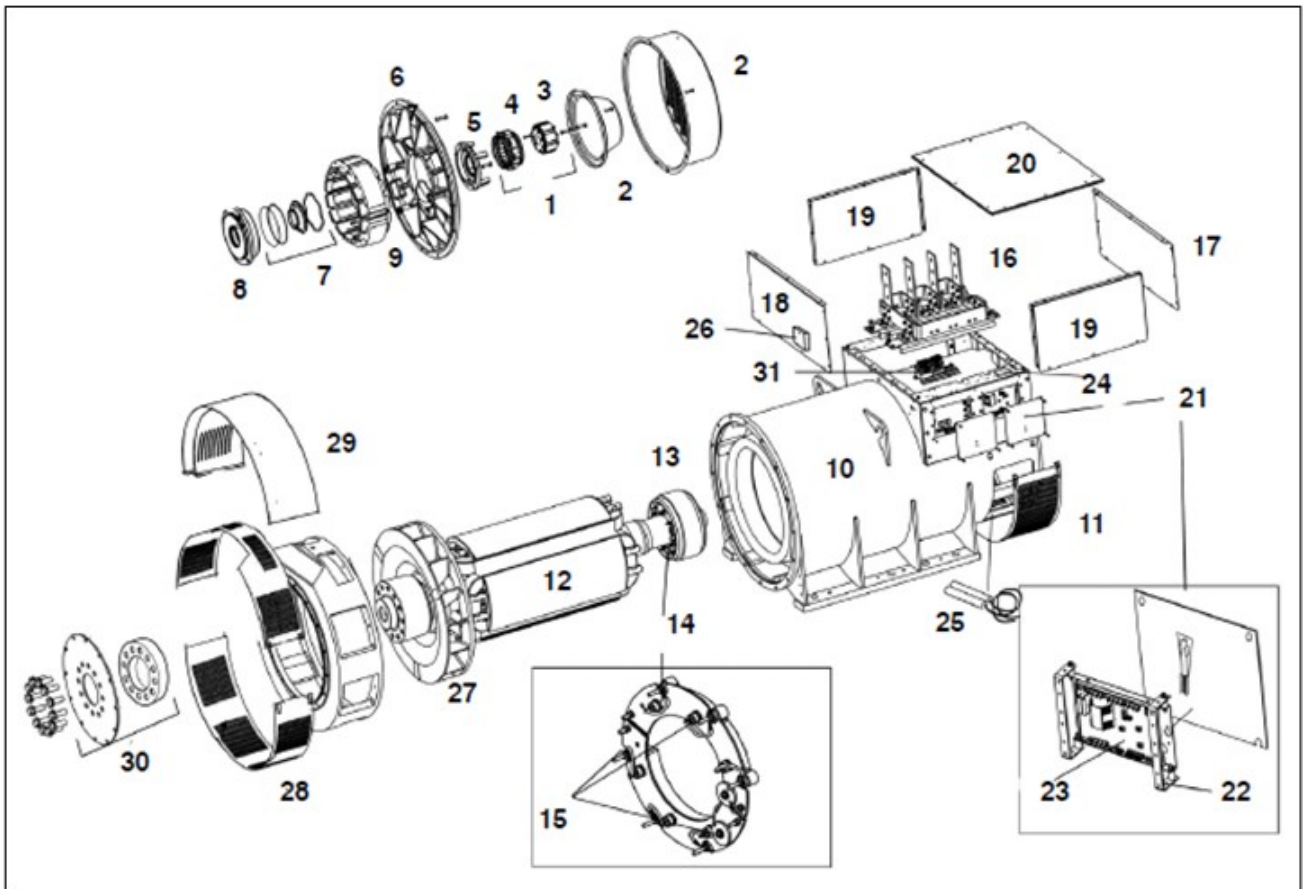


FIGURE 30. P7 A TO G - 1 BEARING PARTS DRAWING

TABLE 32. P7 A TO G - 1 BEARING PARTS LIST

Item	Part No.	Description	Qty
1	45-0119A	Complete PMG upfit kit	1
2	760-10562	PMG Cover (cover included in above kit)	1
2a	760-11279	NDE Air inlet cover G core only	1
	760-10965	NDE Air inlet cover G (marine)	1
	760-11005	NDE Air inlet cover (circular)	1
3	45-1082	Current PMG rotor/stator repair kit	1
4	45-1082	Current PMG rotor/stator repair kit	1
5	760-10823	NDE Bearing cap	1
	760-11026	NDE Bearing cap for use with hardened cartridge	1
6	760-10819	NDE Bracket A - F	1
	760-11205	NDE Bracket G	1
7	45-0336	NDE Regrease bearing kit	1
	45-1153	NDE Regrease brg kit c/w caps & cartridges A - E	1

Item	Part No.	Description	Qty
	45-0418	NDE Sealed bearing kit	1
	A054Y391	NDE (Sealed) bearing kit C/W Caps & Cartridges A - E	1
8	760-10821	NDE Bearing cartridge	1
	760-11016	NDE Bearing cartridge (hardened)	1
9	366-40800	Exciter stator A - F (75mm)	1
	760-1151	Exciter stator G (100mm)	1
	A052D957	Exciter stator A - F (75mm) Severe Environmental	1
	A052D963	Exciter stator G (100mm) Severe Environmental	1
10	QMSN	Main stator frame assy	1
11	760-11274	NDE Bottom cover A-F	1
	366-21200	NDE Bottom cover (marine -louvered)	1
	366-21300	NDE Bottom cover (airfilter)	1
12	QMSN	Main rotor assy	1
13	760-1186	Exciter rotor A -F (75mm)	1
	760-1178	Exciter rotor G,R,S,T (100mm)	1
14	760-11216	Rotating rectifier assy	1
15	RSK-6001	Diode fwd/rev & varistor kit	1
16	QMSN	Main terminal board	1
17	760-11185	Terminal box end panel NDE - standard	1
	760-11268	Terminal box end panel NDE - high box	1
	760-11594	Terminal box end panel NDE - std c/w airfilters	1
	A041B941	Terminal box end panel NDE - high c/w airfilters	1
	760-11594	Terminal box end panel NDE - std c/w airfilters marine	1
	A041B941	Terminal box end panel NDE - high c/w a/f (marine)	1
18	760-11185	Terminal box end panel DE - standard	1
	760-11268	Terminal box end panel DE - high box	1
	760-11185	Terminal box end panel DE - std c/w airfilters	1
	760-11268	Terminal box end panel DE - high c/w airfilters	1
	760-11185	Terminal box end panel DE - std c/w airfilters marine	1
	760-11268	Terminal box end panel DE - high c/w a/f (marine)	1
19	760-11186	Terminal box side panel - standard	2
	760-11269	Terminal box side panel - high box	2
	760-11186	Terminal box side panel - std c/w airfilter	2
	760-11269	Terminal box side panel - high c/w airfilter	2
	760-11186	Terminal box side panel - std c/w airfilter marine	2
	760-11269	Terminal box side panel - high c/w a/f (marine)	2

Item	Part No.	Description	Qty
20	760-10663	Terminal box lid – standard /high/airfilter & marine	1
21	450-15254	AVR Cover plate (access)	1
	450-16417	AVR Cover plate (access) (EU Machine Dir.)	1
	450-16413	AVR Plastic Cover (EU Machine Dir.)	1
22	45-0742	AVR Mounting bracket	1
23	E000-23412/1P	AVR MX341 (standard series 3)	1
	E000-23408/1P	AVR MX341 UL	1
	E000-23212/1P	AVR MX321	1
	E000-23215/1P	AVR MX321 UL	1
	E000-23800	AVR DM110	1
	A062Y338	AVR MX322	1
	A060B914	AVR DECS-150	1
24	450-15489	Auxiliary terminal board	1
25	45-0324	Heater 110-125 volt	1
	A053M969	Heater 110-125 volt UL Cert	1
	A051Y955	Heater Kit 110-125v to incl term box for retro	1
	A053X258	Heater Kit 110-125v to incl term box for retro UL Cert	1
	45-0325	Heater Kit 220-260 volt	1
	A053N003	Heater Kit 220-260 volt UL Cert	1
	A040G626	Heater Kit 220-260v to incl term box for retro	1
	A053X260	Heater Kit 220-260v to incl term box for retro UL Cert	1
	45-1047	Heater Kit 110-125 volt (G core)	1
	A053M999	Heater Kit 110-125 volt (G core) UL Cert	1
	A053X422	Heater Kit 110-125 volt (G core) to incl term box for retro UL Cert	1
	45-1048	Heater Kit 220-260 volt (G core)	1
	A053N109	Heater Kit 220-260 volt (G core) UL Cert	1
	A053X401	Heater Kit 220-260V (G core) to incl term box for retro UL Cert	1
26	45-0024	Terminal box for heaters	1
27	45-1011	DE Adaptor kit (SAE 0)	1
	45-1012	DE Adaptor kit (SAE 00)	1
28	See No. 29	DE Screen (included in adaptor kits)	1
29	45-1049	Louvre Kit SAE 00 – A –F	1
	45-1050	Louvre Kit SAE 00 – G	1
	45-1051	Louvre Kit SAE 0 – A – F	1
	45-1052	Louvre Kit SAE 0 – G	1

Item	Part No.	Description	Qty
30	45-0792	Coupling Kit SAE 18 (standard)	1
	45-1005	Coupling Kit SAE 18 (special 12 hole)	1
	45-0793	Coupling Kit SAE 21	1
	45-0794	Coupling Kit SAE 24	1
31	450-42150	Isolation transformer 2 to 1 (up to 480v)	1
	A040L270	Isolation transformer 2 to 1 (up to 480v) (UL Cert)	1
	450-42250	Isolation transformer 2.5 to 1 (600 to 240v)	1
	A040N063	Isolation transformer 2.5 to 1 (600 to 240v) (UL Cert)	1
	450-42350	Isolation transformer 3 to 1 (720 to 240v)	1
	A049N972	Isolation transformer 3 to 1 (720 to 240v) (UL Cert)	1
	450-41650	Isolation transformer 2.5 to 1 (500 to 600v)	1
	TBA	Isolation transformer 2.5 to 1 (500 to 600v) (UL Cert)	TBA
	450-41750	Isolation transformer 3 to 1 (601 to 720v)	1
	TBA	Isolation transformer 3 to 1 (601 to 720v) (UL Cert)	TBA

32 P7 A to G - 2 Bearing

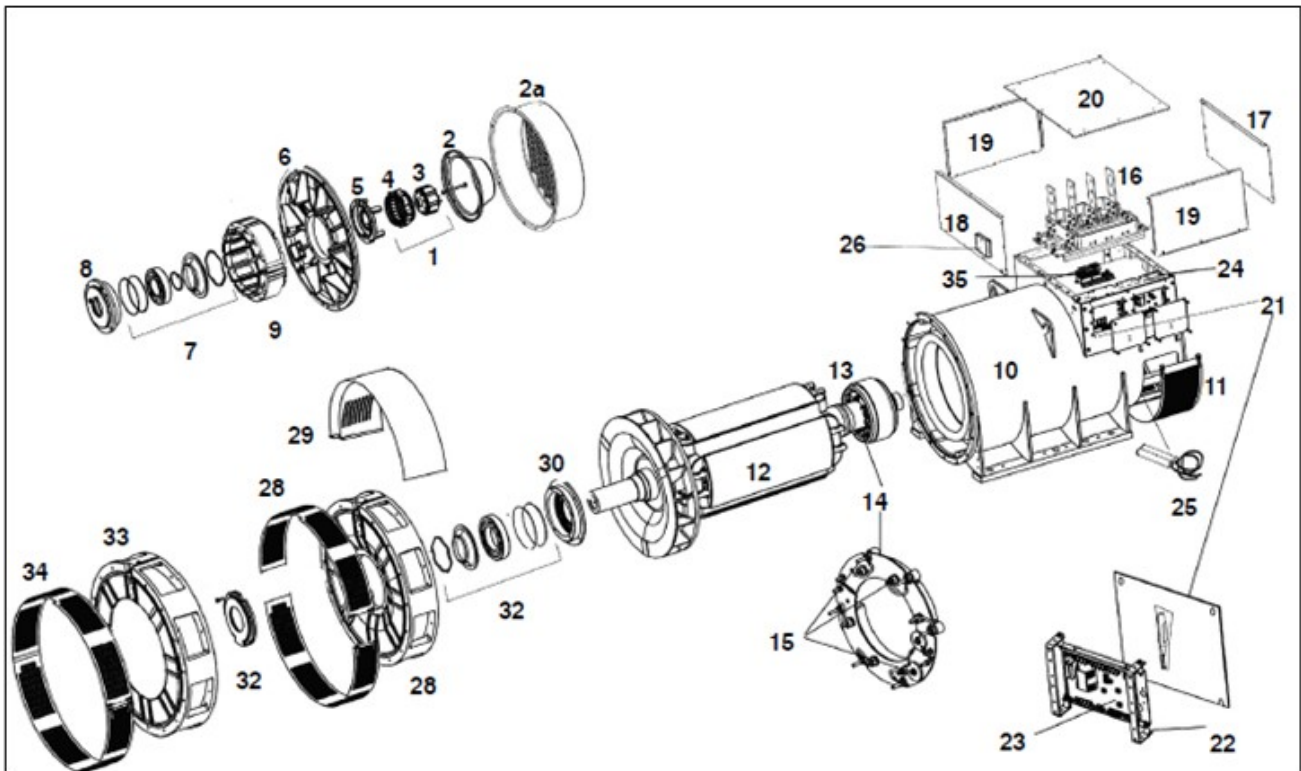


FIGURE 31. P7 A TO G - 2 BEARING PARTS DRAWING

TABLE 33. P7 A TO G - 2 BEARING PARTS LIST

Item	Part No.	Description	Qty
1	45-0119A	Complete PMG upfit Kit	1
2	760-10562	PMG Cover (cover included in above Kit)	1
2a	760-11279	NDE Air inlet cover G	1
	760-10965	NDE Air inlet cover G (marine)	1
	760-11005	NDE Air inlet cover (circular)	1
3	45-1082	Current PMG rotor/stator repair Kit	1
4	45-1082	Current PMG rotor/stator repair Kit	1
5	760-10823	NDE Bearing cap	1
	760-11026	NDE Bearing cap for use with hardened cartridge	1
6	760-10819	NDE Bracket A -F	1
	760-11205	NDE Bracket G	1
7	45-0336	NDE Regrease bearing Kit	1
	45-1153	NDE Regrease brg Kit c/w caps & cartridges A - E	1
	45-0419	NDE Sealed bearing Kit	1
	A054Y408	NDE Sealed bearing Kit C/W Caps & Cartridges A - E	1
8	760-10821	NDE Bearing cartridge	1

Item	Part No.	Description	Qty
	760-11016	NDE Bearing cartridge (hardened)	1
9	366-40800	Exciter stator A - F (75mm)	1
	760-1151	Exciter stator G (100mm)	1
	A052D957	Exciter stator A - F (75mm) Severe Environmental	1
	A052D963	Exciter stator G (100mm) Severe Environmental	1
10	QMSN	Main stator frame assy	1
11	760-11274	NDE Bottom cover A-F	1
	366-21200	NDE Bottom cover (marine -louvered)	1
	366-21300	NDE Bottom cover (airfilter) A-F	1
12	QMSN	Main rotor assy	1
13	760-1186	Exciter rotor A -F (75mm)	1
	760-1178	Exciter rotor G,R,S,T (100mm)	1
14	760-11216	Rotating rectifier assy	1
15	RSK-6001	Diode fwd/rev & varistor Kit	1
16	QMSN	Main terminal board	1
17	760-11185	Terminal box end panel NDE - standard	1
	760-11268	Terminal box end panel NDE - high box	1
	760-11594	Terminal box end panel NDE - std c/w airfilters	1
	A041B941	Terminal box end panel NDE - high c/w airfilters	1
	760-11594	Terminal box end panel NDE - std c/w airfilters marine	1
	A041B941	Terminal box end panel NDE - high c/w a/f (marine)	1
18	760-11185	Terminal box end panel DE - standard	1
	760-11268	Terminal box end panel DE - high box	1
	760-11185	Terminal box end panel DE - std c/w airfilters	1
	760-11268	Terminal box end panel DE - high c/w airfilters	1
	760-11185	Terminal box end panel DE - std c/w airfilters marine	1
	760-11268	Terminal box end panel DE - high c/w a/f (marine)	1
19	760-11186	Terminal box side panel - standard	2
	760-11269	Terminal box side panel - high box	2
	760-11186	Terminal box side panel - std c/w airfilter	2
	760-11269	Terminal box side panel - high c/w airfilter	2
	760-11186	Terminal box side panel - std c/w airfilter marine	2
	760-11269	Terminal box side panel - high c/w a/f (marine)	2
20	760-10663	Terminal box lid - standard /high/airfilter & marine	1
21	450-15254	AVR Cover plate (access)	1
	450-16417	AVR Cover plate (access) (EU Machine Dir.)	1

Item	Part No.	Description	Qty
	450-16413	AVR Plastic Cover (EU Machine Dir.)	1
22	45-0742	AVR Mounting bracket	1
23	E000-23412/1P	AVR MX341 (standard series 3)	1
	E000-23408/1P	AVR MX341 UL	1
	E000-23212/1P	AVR MX321	1
	E000-23215/1P	AVR MX321 UL	1
	E000-23800	AVR DM110	1
	A062Y338	AVR MX322	1
	A060B914	AVR DECS-150	1
24	450-15489	Auxiliary terminal board	1
25	45-0324	Heater Kit 110-125 volt	1
	A053M969	Heater Kit 110-125 volt UL Cert	1
	A051Y955	Heater Kit 110-125v to incl term box for retro	1
	A053X258	Heater Kit 110-125v to incl term box for retro UL Cert	1
	45-0325	Heater Kit 220-260 volt	1
	A053N003	Heater Kit 220-260 volt UL Cert	1
	A040G626	Heater Kit 220-260v to incl term box for retro	1
	A053X260	Heater Kit 220-260v to incl term box for retro UL Cert	1
	45-1047	Heater Kit 110-125 volt (g core)	1
	A053M999	Heater Kit 110-125 volt (g core) UL Cert	1
	A053X422	Heater Kit 110-125 volt (g core) to incl term box for retro UL Cert	1
	45-1048	Heater Kit 220-260 volt (g core)	1
	A053N109	Heater Kit 220-260 volt (g core) UL Cert	1
	A053X401	Heater Kit 220-260 volt (g core) to incl term box for retro UL Cert	1
26	45-0024	Terminal box for heaters	1
27	760-11160	DE Bracket A - E	1
	760-10912	DE Bracket F - G	1
28	760-11392	DE Bracket screen top (industrial)	1
	760-10930	DE Bracket screen bottom	1
29	45-1053	Louvre Kit A - F	1
	45-1054	Louvre Kit G	1
30	760-10829	DE Bearing cartridge A - E	1
	760-10923	DE Bearing cartridge F - G	1
31	45-0335	DE Regrease bearing Kit A - E	1
	45-1154	DE Regrease Brg Kit c/w caps & cartridges A - E	1

Item	Part No.	Description	Qty
	45-1077	NDE & DE Regrease Brg Kit complete A - E	1
	45-0425	DE Regrease Bearing Kit F - G	1
	45-1155	DE Regrease Brg Kit c/w caps & cartridges F - G	1
	45-1078	NDE & DE Regrease Brg Kit complete F - G	1
32	760-10831	DE Bearing cap A -E	1
	760-10924	DE Bearing cap F- G	1
33	45-0715	2 Brg adaptor Kit SAE 00 A - E only	1
	45-0716	2 Brg adaptor Kit SAE 0 A - E only	1
	A051Y983	2 Brg adaptor Kit SAE 0 F - G only	1
	45-1038	2 Brg adaptor Kit SAE 00 F- G only	1
34	Included in 34	DE cover screen (included in Kits)	1
35	450-42150	Isolation transformer 2 to 1 (up to 480v)	1
	A040L270	Isolation transformer 2 to 1 (up to 480v) (UL Cert)	1
	450-42250	Isolation transformer 2.5 to 1 (600 to 240v)	1
	A040N063	Isolation transformer 2.5 to 1 (600 to 240v) (UL Cert)	1
	450-42350	Isolation transformer 3 to 1 (720 to 240v)	1
	A049N972	Isolation transformer 3 to 1 (720 to 240v) (UL Cert)	1
	450-41650	Isolation transformer 2.5 to 1 (500 to 600v)	1
	TBA	Isolation transformer 2.5 to 1 (500 to 600v) (UL Cert)	TBA
	450-41750	Isolation transformer 3 to 1 (601 to 720v)	1
	TBA	Isolation transformer 3 to 1 (601 to 720v) (UL Cert)	TBA

33 S7 LV - 1 Bearing

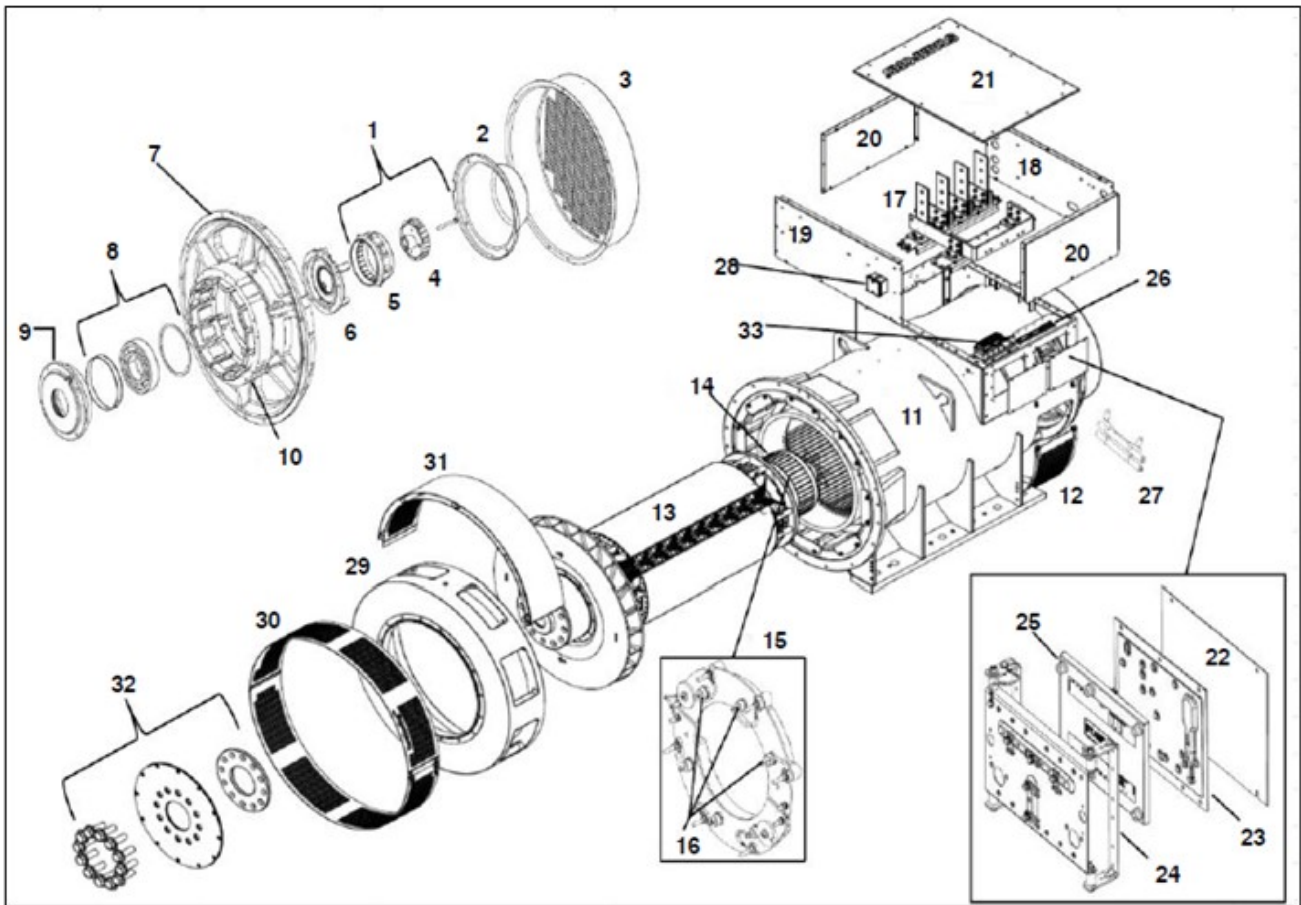


FIGURE 32. S7 LV - 1 BEARING PARTS DRAWING

TABLE 34. S7 LV - 1 BEARING PARTS LIST

Item	Part No.	Description	Qty
1	45-0119A	Complete PMG upfit kit	1
2	760-10562	PMG Cover (cover included in above kit)	1
3	760-11279	NDE Air inlet cover J core only	1
	760-10965	NDE Air inlet cover J core only (marine)	1
	760-11005	NDE Air inlet cover J core only (circular)	1
4	45-1082	Current PMG rotor/stator repair kit	1
5	45-1082	Current PMG rotor/stator repair kit	1
6	760-10823	NDE Bearing cap	1
	760-11026	NDE Bearing cap for use with hardened cartridge	1
7	760-10819	NDE Bracket C-H core	1
	760-11205	NDE Bracket J core	1
8	45-0336	NDE Regrease bearing kit	1
	45-1153	NDE Regrease brg kit c/w caps & cartridges	1

Item	Part No.	Description	Qty
	45-0418	NDE Sealed bearing kit	1
	A054Y391	NDE (Sealed) bearing kit C/W Caps & Cartridges	1
9	760-10821	NDE Bearing cartridge	1
	760-11016	NDE Bearing cartridge (hardened)	1
10	A061L567	Exciter stator C-G core (75mm)	1
	366-15300	Exciter stator H-J core (100mm)	1
	A063V195	Exciter stator K-core 4P (125mm)	1
	A063U496	Exciter stator J-core 6P (125mm)	1
11	QMSN	Main stator frame assy	1
12	760-11274	NDE Bottom cover	1
	366-21200	NDE Bottom cover (marine -louvered)	1
	366-21300	NDE Bottom cover (airfilter)	1
13	QMSN	Main rotor assy	1
14	760-1186	Exciter rotor C-G core (75mm)	1
	760-1178	Exciter rotor H-J core (100mm)	1
	A065U425	Exciter rotor K-core 4P + J-core 6P (125mm)	1
15	760-11216	Rotating rectifier assy	1
16	RSK-6001	Diode fwd/rev & varistor kit	1
17	QMSN	Main terminal board	1
18	760-11185	Terminal box end panel NDE - standard	1
	760-11268	Terminal box end panel NDE - high box	1
	760-11594	Terminal box end panel NDE - std c/w airfilters	1
	A041B941	Terminal box end panel NDE - high c/w airfilters	1
	760-11594	Terminal box end panel NDE - std c/w airfilters marine	1
	A041B941	Terminal box end panel NDE - high c/w a/f (marine)	1
19	760-11185	Terminal box end panel DE - standard	1
	760-11268	Terminal box end panel DE - high box	1
	760-11185	Terminal box end panel DE - std c/w airfilters	1
	760-11268	Terminal box end panel DE - high c/w airfilters	1
	760-11185	Terminal box end panel DE - std c/w airfilters marine	1
	760-11268	Terminal box end panel DE - high c/w a/f (marine)	1
20	760-11186	Terminal box side panel - standard	2
	760-11269	Terminal box side panel - high box	2
	760-11186	Terminal box side panel - std c/w airfilter	2
	760-11269	Terminal box side panel - high c/w airfilter	2
	760-11186	Terminal box side panel - std c/w airfilter marine	2

Item	Part No.	Description	Qty
	760-11269	Terminal box side panel – high c/w a/f (marine)	2
21	760-10663	Terminal box lid – standard /high/airfilter & marine	1
22	450-15254	AVR Cover plate (access)	1
	450-16417	AVR Cover plate (access) (EU Machine Dir.)	1
23	450-16413	AVR Plastic Cover (EU Machine Dir.)	1
24	45-0742	AVR Mounting bracket	1
25	E000-23412/1P	AVR MX341	1
	E000-23408/1P	AVR MX341 UL	1
	A062Y338	AVR MX322	1
	A060B914	AVR DECS-150	1
	E000-23800	AVR DM110	1
26	450-15489	Auxiliary terminal board	1
27	45-0324	Heater 110-125V	1
	A053M969	Heater 110-125V UL Cert	1
	A051Y955	Heater Kit 110-125V to incl term box for retro	1
	A053X258	Heater Kit 110-125V to incl term box for retro UL Cert	1
	45-0325	Heater Kit 220-260V	1
	A053N003	Heater Kit 220-260V UL Cert	1
	A040G626	Heater Kit 220-260V to incl term box for retro	1
	A053X260	Heater Kit 220-260V to incl term box for retro UL Cert	1
	45-1047	Heater Kit 110-125V (Four heater cartridges)	1
	A053M999	Heater Kit 110-125V (Four heater cartridges) UL Cert	1
	A053X422	Heater Kit 110-125V (Four heater cartridges) to incl term box for retro UL	1
	45-1048	Heater Kit 220-260V (Four heater cartridges)	1
	A053N109	Heater Kit 220-260V (Four heater cartridges) UL Cert	1
	A053X401	Heater Kit 220-260V (Four heater cartridges) to incl term box for retro UL	1
28	45-0024	Terminal box for heaters	1
29	A062G747	DE Adaptor kit (SAE 0) (C core)	1
	A062G770	DE Adaptor kit (SAE 0) (D-H core)	1
	A062G795	DE Adaptor kit (SAE 0) (J core)	1
	A062G782	DE Adaptor kit (SAE 00) (C-H core)	1
	A062G809	DE Adaptor kit (SAE 00) (J core)	1
30	See No. 29	DE Screen (included in adaptor kits)	1
31	45-1049	Louvre Kit SAE 00 (C-H core)	1
	45-1050	Louvre Kit SAE 00 (J core)	1

Item	Part No.	Description	Qty
	45-1051	Louvre Kit SAE 0 (C-H core)	1
	45-1052	Louvre Kit SAE 0 (J core)	1
32	45-0792	Coupling Kit SAE 18 (standard)	1
	45-1005	Coupling Kit SAE 18 (special 12 hole)	1
	45-0793	Coupling Kit SAE 21	1
	45-0794	Coupling Kit SAE 24	1
33	450-42150	Isolation transformer 2 to 1 (480 to 240V)	1
	A040L270	Isolation transformer 2 to 1 (480 to 240V) (UL Cert)	1
	450-41650	Isolation transformer 2.5 to 1 (600 to 240V)	1
	A040N063	Isolation transformer 2.5 to 1 (600 to 240V) (UL Cert)	1
	450-41750	Isolation transformer 3 to 1 (720 to 240V)	1
	A049N972	Isolation transformer 3 to 1 (720 to 240V) (UL Cert)	1

34 S7 LV - 2 Bearing

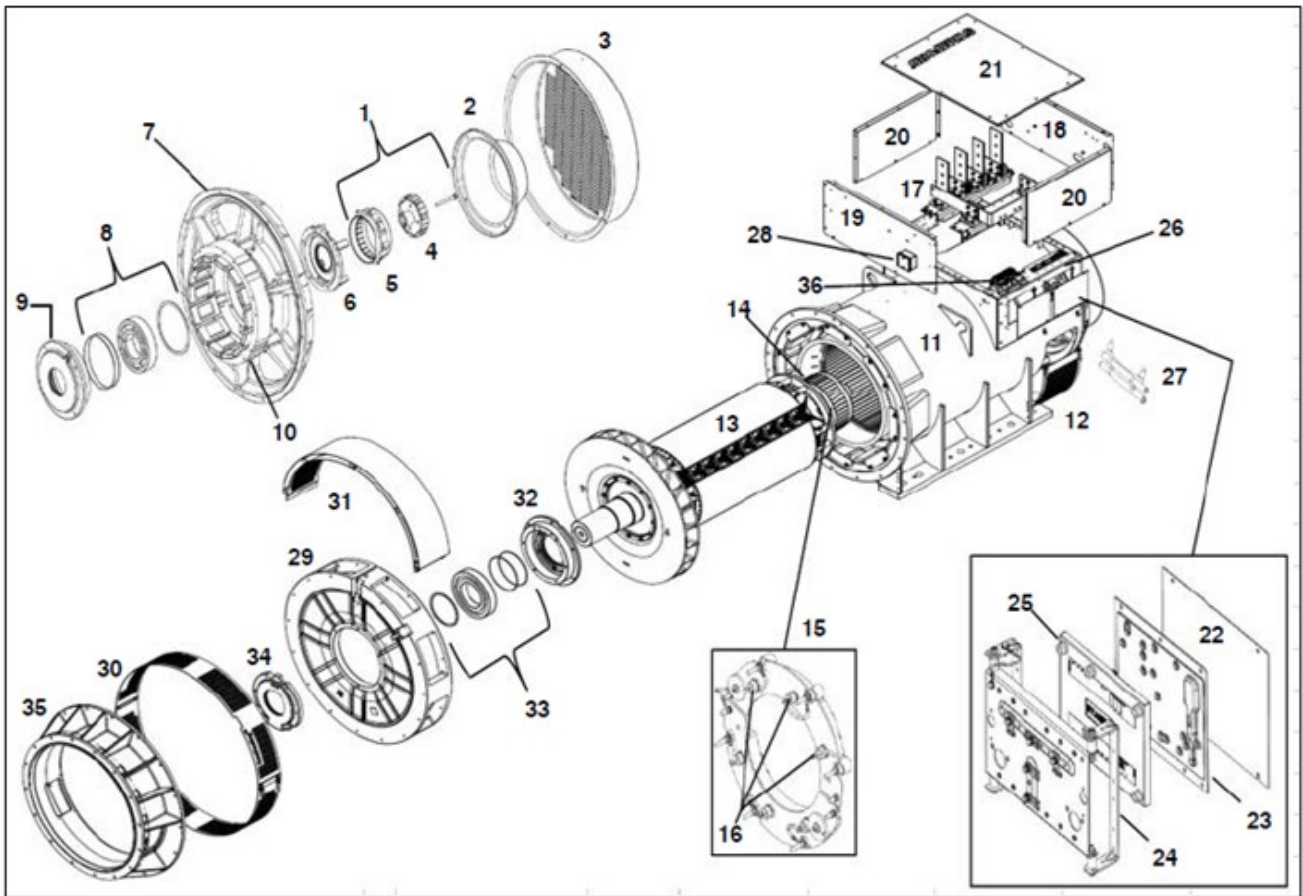


FIGURE 33. S7 LV - 2 BEARING PARTS DRAWING

TABLE 35. S7 LV - 2 BEARING PARTS LIST

Item	Part No.	Description	Qty
1	45-0119A	Complete PMG upfit kit	1
2	760-10562	PMG Cover (cover included in above kit)	1
3	760-11279	NDE Air inlet cover J core only	1
	760-10965	NDE Air inlet cover J core only (marine)	1
	760-11005	NDE Air inlet cover J core only (circular)	1
4	45-1082	Current PMG rotor/stator repair kit	1
5	45-1082	Current PMG rotor/stator repair kit	1
6	760-10823	NDE Bearing cap	1
	760-11026	NDE Bearing cap for use with hardened cartridge	1
7	760-10819	NDE Bracket C-H core	1
	760-11205	NDE Bracket J core	1
8	45-0336	NDE Regrease bearing kit	1
	45-1153	NDE Regrease brg kit c/w caps & cartridges	1

Item	Part No.	Description	Qty
9	760-10821	NDE Bearing cartridge	1
	760-11016	NDE Bearing cartridge (hardened)	1
10	A061L567	Exciter stator C-G core (75mm)	1
	366-15300	Exciter stator H-J core (100mm)	1
	A063V195	Exciter stator K-core 4P (125mm)	1
	A063U496	Exciter stator J-core 6P (125mm)	1
11	QMSN	Main stator frame assy	1
12	760-11274	NDE Bottom cover	1
	366-21200	NDE Bottom cover (marine -louvered)	1
	366-21300	NDE Bottom cover (airfilter)	1
13	QMSN	Main rotor assy	1
14	760-1186	Exciter rotor C-G core (75mm)	1
	760-1178	Exciter rotor H-J core (100mm)	1
	A065U425	Exciter rotor K-core 4P + J-core 6P (125mm)	1
15	760-11216	Rotating rectifier assy	1
16	RSK-6001	Diode fwd/rev & varistor kit	1
17	QMSN	Main terminal board	1
18	760-11185	Terminal box end panel NDE - standard	1
	760-11268	Terminal box end panel NDE - high box	1
	760-11594	Terminal box end panel NDE - std c/w airfilters	1
	A041B941	Terminal box end panel NDE - high c/w airfilters	1
	760-11594	Terminal box end panel NDE - std c/w airfilters marine	1
	A041B941	Terminal box end panel NDE - high c/w a/f (marine)	1
19	760-11185	Terminal box end panel DE - standard	1
	760-11268	Terminal box end panel DE - high box	1
	760-11185	Terminal box end panel DE - std c/w airfilters	1
	760-11268	Terminal box end panel DE - high c/w airfilters	1
	760-11185	Terminal box end panel DE - std c/w airfilters marine	1
	760-11268	Terminal box end panel DE - high c/w a/f (marine)	1
20	760-11186	Terminal box side panel - standard	2
	760-11269	Terminal box side panel - high box	2
	760-11186	Terminal box side panel - std c/w airfilter	2
	760-11269	Terminal box side panel - high c/w airfilter	2
	760-11186	Terminal box side panel - std c/w airfilter marine	2
	760-11269	Terminal box side panel - high c/w a/f (marine)	2
21	760-10663	Terminal box lid - standard /high/airfilter & marine	1

Item	Part No.	Description	Qty
22	450-15254	AVR Cover plate (access)	1
	450-16417	AVR Cover plate (access) (EU Machine Dir.)	1
23	450-16413	AVR Plastic Cover (EU Machine Dir.)	1
24	45-0742	AVR Mounting bracket	1
25	E000-23412/1P	AVR MX341	1
	E000-23408/1P	AVR MX341 UL	1
	A062Y338	AVR MX322	1
	A060B914	AVR DECS-150	1
	E000-23800	AVR DM110	1
26	450-15489	Auxiliary terminal board	1
27	45-0324	Heater 110-125V	1
	A053M969	Heater 110-125V UL Cert	1
	A051Y955	Heater Kit 110-125V to incl term box for retro	1
	A053X258	Heater Kit 110-125V to incl term box for retro UL Cert	1
	45-0325	Heater Kit 220-260V	1
	A053N003	Heater Kit 220-260V UL Cert	1
	A040G626	Heater Kit 220-260V to incl term box for retro	1
	A053X260	Heater Kit 220-260V to incl term box for retro UL Cert	1
	45-1047	Heater Kit 110-125V (Four heater cartridges)	1
	A053M999	Heater Kit 110-125V (Four heater cartridges) UL Cert	1
	A053X422	Heater Kit 110-125V (Four heater cartridges) to incl term box for retro UL	1
	45-1048	Heater Kit 220-260V (Four heater cartridges)	1
	A053N109	Heater Kit 220-260V (Four heater cartridges) UL Cert	1
	A053X401	Heater Kit 220-260V (Four heater cartridges) to incl term box for retro UL	1
28	45-0024	Terminal box for heaters	1
29	760-11160	DE Bracket (C-F core)	1
	760-10912	DE Bracket (G-H core)	1
	A050V498	DE Bracket (J core)	1
30	A060W997	DE Bracket screen top (industrial) (C-H core)	1
	A060W457	DE Bracket screen top (industrial) (J core)	1
	760-10930	DE Bracket screen bottom (C-H core)	1
	A051A780	DE Bracket screen bottom (J core)	1
31	45-1053	Louvre Kit (C-H core)	1
	45-1054	Louvre Kit (J core)	1
32	760-10829	DE Bearing cartridge (C - F core)	1

Item	Part No.	Description	Qty
	760-10923	DE Bearing cartridge (G - J core)	1
33	45-0335	DE Regrease bearing Kit (C - F core)	1
	45-1154	DE Regrease Brg Kit c/w caps & cartridges (C - F core)	1
	45-1077	NDE & DE Regrease Brg Kit complete (C - F core)	1
	45-0425	DE Regrease Bearing Kit (G - J core)	1
	45-1155	DE Regrease Brg Kit c/w caps & cartridges (G - J core)	1
	45-1078	NDE & DE Regrease Brg Kit complete (G - J core)	1
34	760-10831	DE Bearing cap (C-F core)	1
	760-10924	DE Bearing cap (G-J core)	1
35	45-0715	2 Brg adaptor Kit SAE 00 (C - F core)	1
	45-1038	2 Brg adaptor Kit SAE 00 (G - H core)	1
	A054Y386	2 Brg adaptor Kit SAE 00 (J core)	1
	45-0716	2 Brg adaptor Kit SAE 0 (C - F core)	1
	A051Y983	2 Brg adaptor Kit SAE 0 (G - H core)	1
	A046C895	2 Brg adaptor Kit SAE 0 (J core)	1
36	450-42150	Isolation transformer 2 to 1 (480 to 240V)	1
	A040L270	Isolation transformer 2 to 1 (480 to 240V) (UL Cert)	1
	450-41650	Isolation transformer 2.5 to 1 (600 to 240V)	1
	A040N063	Isolation transformer 2.5 to 1 (600 to 240V) (UL Cert)	1
	450-41750	Isolation transformer 3 to 1 (720 to 240V)	1
	A049N972	Isolation transformer 3 to 1 (720 to 240V) (UL Cert)	1

35 S7 WLV - 2 Bearing

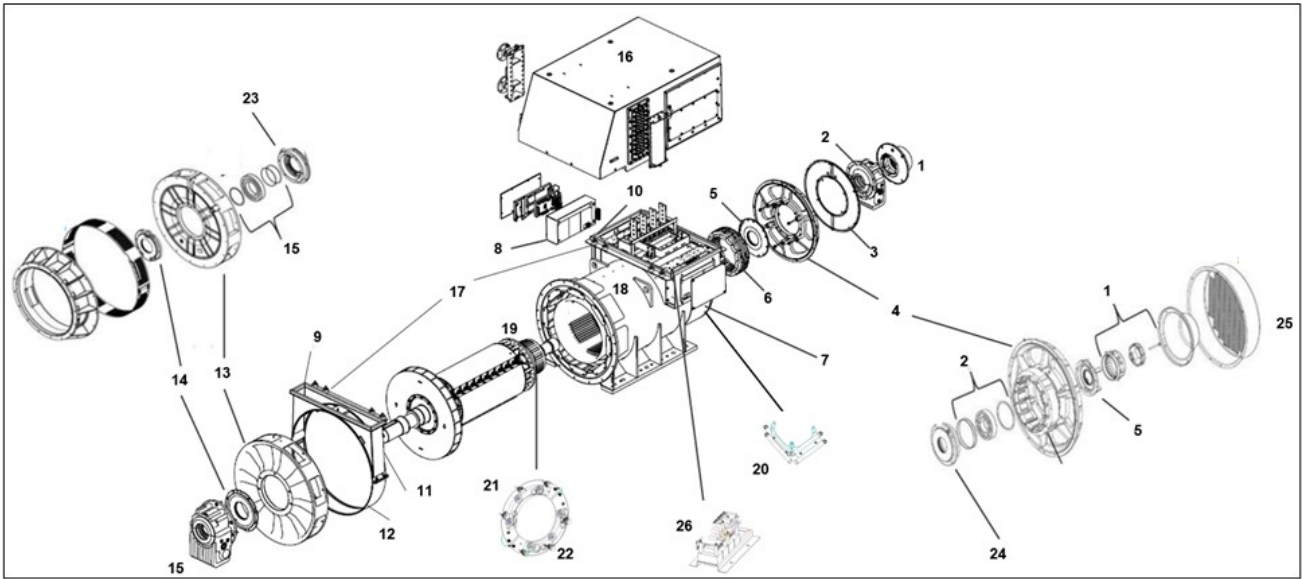


FIGURE 34. S7 WLV - 2 BEARING PARTS DRAWING

TABLE 36. S7 WLV - 2 BEARING PARTS LIST

Item	Part No.	Description	Qty		
1	A067R585	Complete PMG Repair Kit – Sleeve Bearing Frame	1		
	45-1082	Complete PMG Repair Kit	1		
	760-10562	PMG Cover End	1		
	A065W008	PMG Stator Mount (Non-Drive End Sleeve bearing face)	1		
2	A065X336	Sleeve Bearing Non-Drive End – D, E, F, and J core	1		
	A067T920	NDE Sleeve Bearing Shell	1		
	A067T927	NDE Sleeve Bearing Labyrinth Seal	1		
	A067T942	NDE Sleeve Bearing Oil Ring	1		
	A072J784	NDE Sleeve Bearing Top Oil Sight Glass G1	1		
	A072J788	NDE Sleeve Bearing Oil Sight Glass G1 1/4	1		
	A067T912	NDE Sleeve Bearing Drain Plug	1		
	45-0336	NDE Regrease Bearing Kit	1		
	45-1153	NDE Regrease Bearing Kit c/w caps and cartridges	1		
	3	A065L739	End Cover – D, E, F and J core	1	
		4	A065H305	Sleeve Bearing NDE Bracket	1
			760-10819	NDE Bracket C-H core	1
		760-11205	NDE Bracket J Core	1	
5	A065K478	NDE Sleeve Bearing Cap	1		
	760-10823	NDE Rolling Element Bearing Cap	1		

	760-11026	NDE Rolling Element Bearing Cap with Hardened Cartridge	1
6	366-15300	Exciter Stator – J core	1
	A061Y735	Exciter Stator – D, E, and F core	1
7	366-21300	Non-Drive End Frame Aperture – D, E, F, and J core	1
8	A060B914	DECS 150 AVR	1
	E000-23800	DM110 AVR	1
	A062Y338	MX322 AVR	1
9	A066C517	Heat Exchanger Gasket Seal	1
10	A066C518	Heat Exchanger Gasket Seal	1
11	A065H096	DE Adaptor Top Cover (Air Duct) – J Core	1
	A065Y020	DE Adaptor Top Cover (Air Duct) – D, E, and F core	1
12	A065H090	DE Adaptor Bottom Cover – D, E, F, and J core	1
13	A065G884	Sleeve Bearing Drive End Bracket – J core	1
	A065L159	Sleeve Bearing Drive End Bracket – D, E, and F core	1
	760-11160	Rolling Element Bearing DE Bracket (C-F core)	1
	760-10912	Rolling Element Bearing DE Bracket (G-H core)	1
	A050V498	Rolling Element Bearing DE Bracket (J core)	1
14	A065K301	DE Sleeve Bearing Cap	1
	760-10831	DE Bearing Cap (Rolling Element Bearing) (C-F core)	1
	760-10924	DE Bearing Cap (Rolling Element Bearing) (G-J core)	1
15	A065K516	DE Sleeve Bearing	1
	A067T658	Bearing Shell	1
	A067T867	Labyrinth Seal	1
	A067T907	Oil Ring	1
	A072J787	Top Oil Sight Glass G1 1/2	1
	A072J786	Oil Sight Glass G1 1/2-SK 33 L	1
	A067T912	Drain Plug	1
	45-0335	DE Regrease Bearing Kit	1
	45-1154	DE Regrease Bearing Kit c/w caps & cartridges (C – F core)	1
	45-1077	NDE & DE Regrease Bearing. Kit complete (C – F core)	1
	45-0425	DE Regrease Bearing Kit (G – J core)	1
	45-1155	DE Regrease Bearing Kit c/w caps & cartridges (G – J core)	1
	45-1078	NDE & DE Regrease Bearing Kit complete (G – J core)	1
16	A065R295	Heat Exchanger RHS – J core	1
	A065X999	Heat Exchanger LHS – J core	1

	A065Y000	Heat Exchanger RHS – D, E, and F core	1
	A065X999	Heat Exchanger LHS – D, E, and F core	1
17	A065X995	Anti-vibration Mount	8
18	QMSN	Main Stator Frame Assembly	1
19	760-1178	Exciter Rotor – J Core (100 mm)	1
	760-1186	Exciter Rotor – D,E,F Core (75 mm)	1
	A065U425	Exciter Rotor K Core 4P + J Core 6P (125 mm)	1
20	A053M969	Heater 110-125 V UL cert	1
	A053X258	Heater Kit 110 – 125V to incl. term. Box. For retro UL cert	1
	A053N003	Heater 220-260V UL cert	1
	A053X260	Heater Kit 220-260 to incl. term. Box. For retro UL cert	1
	A053M999	Heater Kit 110-125V (Four Heater Cartridges) UL cert	1
	A053X422	Heater Kit 110-125V (Four Heater Cartridges) to inc item box for retro UL	1
	A053N109	Heater Kit 220-260V (Four Heater Cartridges) UL cert	1
	A053X401	Heater Kit 220-260V (Four Heater Cartridges) to inc term box for retro UL	1
	45-0024	Terminal Box for heaters	1
21	760-11216	Rotating rectifier assembly	1
22	RSK-6001	Diode forward/reverse & varistor kit	1
23	760-10829	DE Bearing Cartridge (C-F core)	1
	760-10923	DE Bearing Cartridge (G-J core)	1
24	760-10821	NDE Bearing Cartridge	1
	760-11016	NDE Bearing Cartridge (hardened)	1
25	760-11279	NDE Air inlet cover J core only	1
	760-10965	NDE Air inlet cover J core only (marine)	1
	760-11005	NDE Air inlet cover J core only (circular)	1
26	450-42150	Isolation transformer 2 to 1 (480 to 240 V)	1
	A040L270	Isolation transformer 2 to 1 (480 to 240 V) (UL cert)	1
	450-41650	Isolation transformer 2 to 1 (600 to 240 V)	1
	A040N063	Isolation transformer 2 to 1 (600 to 240 V) (UL cert)	1
	450-41750	Isolation transformer 2 to 1 (720 to 240 V)	1
	A049N972	Isolation transformer 2 to 1 (720 to 240 V) (UL cert)	1

-

This page is intentionally blank.

36 S7 HV - 1 Bearing

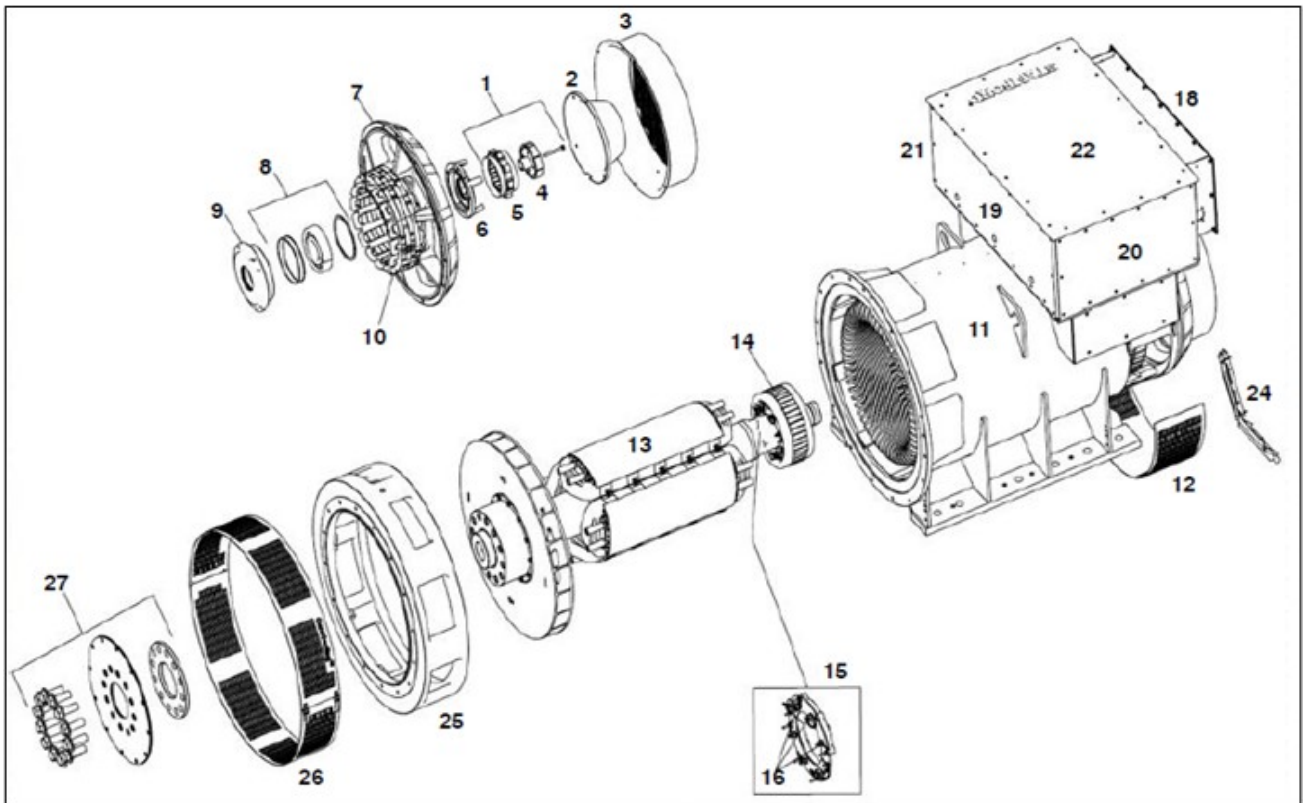


FIGURE 35. S7 HV - 1 BEARING PARTS DRAWING

TABLE 37. S7 HV - 1 BEARING PARTS LIST

Item	Part No.	Description	Qty
1	45-0119A	Complete PMG upfit kit	1
2	760-10562	PMG Cover (cover included in above kit)	1
3	A051X538	NDE Air inlet cover	1
4	45-1082	Current PMG rotor/stator repair kit	1
5	45-1082	Current PMG rotor/stator repair kit	1
6	760-10823	NDE Bearing cap	1
7	A063E233	NDE Bracket	1
8	45-0336	NDE Regrease bearing kit	1
	45-0418	NDE Sealed bearing kit	1
9	760-10821	NDE Bearing cartridge	1
10	A057B918	Exciter stator	1
11	QMSN	Main stator frame assy	1
12	760-11274	NDE Bottom cover	1
13	QMSN	Main rotor assy	1
14	A063D254	Exciter rotor	1

Item	Part No.	Description	Qty
15	760-11216	Rotating rectifier assy	1
16	RSK-6001	Diode fwd/rev & varistor kit	1
17	A063C067	Terminal box bracket (not shown)	1
18	A063C059	Terminal box end panel NDE	1
19	A063C065	Terminal box end panel DE	1
20	A063C064	Terminal box side panel	1
21	A063C069	Terminal box side panel (cable entry side)	1
22	A063C066	Terminal box lid	1
23	A054S072	AVR DECS-100 (not shown)	1
24	A064T022	Heater Kit 110-125V	1
	A064T028	Heater Kit 220-260V	1
25	A062G795	DE Adaptor kit (SAE 0)	1
	A062G809	DE Adaptor kit (SAE 00)	1
26	See No. 25	DE Screen (included in adaptor kits)	1
27	45-0792	Coupling Kit SAE 18 (standard)	1
	A061X995	Coupling Kit SAE 18 (J Core)	1
	45-0793	Coupling Kit SAE 21	1
	A061X997	Coupling Kit SAE 21 (J Core)	1

37 S7 HV - 2 Bearing

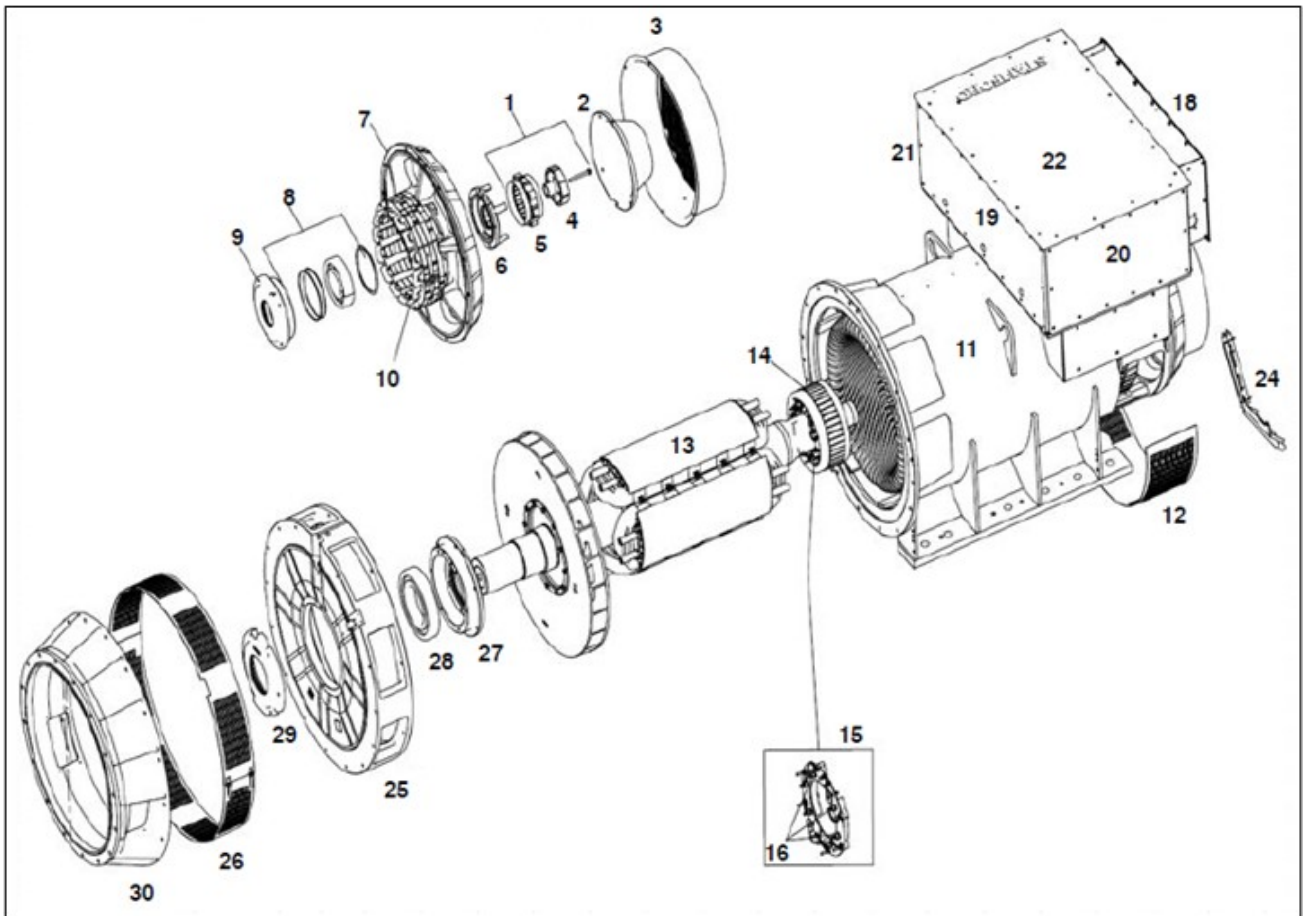


FIGURE 36. S7 HV - 2 BEARING PARTS DRAWING

TABLE 38. S7 HV - 2 BEARING PARTS LIST

Item	Part No.	Description	Qty
1	45-0119A	Complete PMG upfit kit	1
2	760-10562	PMG Cover (cover included in above kit)	1
3	A051X538	NDE Air inlet cover	1
4	45-1082	Current PMG rotor/stator repair kit	1
5	45-1082	Current PMG rotor/stator repair kit	1
6	760-10823	NDE Bearing cap	1
7	A063E233	NDE Bracket	1
8	45-0336	NDE Regrease bearing kit	1
9	760-10821	NDE Bearing cartridge	1
10	A057B918	Exciter stator	1
11	QMSN	Main stator frame assy	1
12	760-11274	NDE Bottom cover	1
13	QMSN	Main rotor assy	1

Item	Part No.	Description	Qty
14	A063D254	Exciter rotor	1
15	760-11216	Rotating rectifier assy	1
16	RSK-6001	Diode fwd/rev & varistor kit	1
17	A063C067	Terminal box bracket (not shown)	1
18	A063C059	Terminal box end panel NDE	1
19	A063C065	Terminal box end panel DE	1
20	A063C064	Terminal box side panel	1
21	A063C069	Terminal box side panel (cable entry side)	1
22	A063C066	Terminal box lid	1
23	A054S072	AVR DECS-100 (not shown)	1
24	A064T022	Heater Kit 110-125V	1
	A064T028	Heater Kit 220-260V	1
25	A050V498	DE Bracket	1
26	A060W457	DE Bracket screen top	1
	A051A780	DE Bracket screen bottom	1
27	760-10923	DE Bearing cartridge	1
28	45-0425	DE Regrease Bearing Kit	1
	45-1078	NDE&DE Regrease Brg Kit complete	1
29	760-10924	DE Bearing cap	1
30	A054Y386	2 Brg adaptor Kit SAE 00	1
	A046C895	2 Brg adaptor Kit SAE 0	1

38 P80 - 1 Bearing

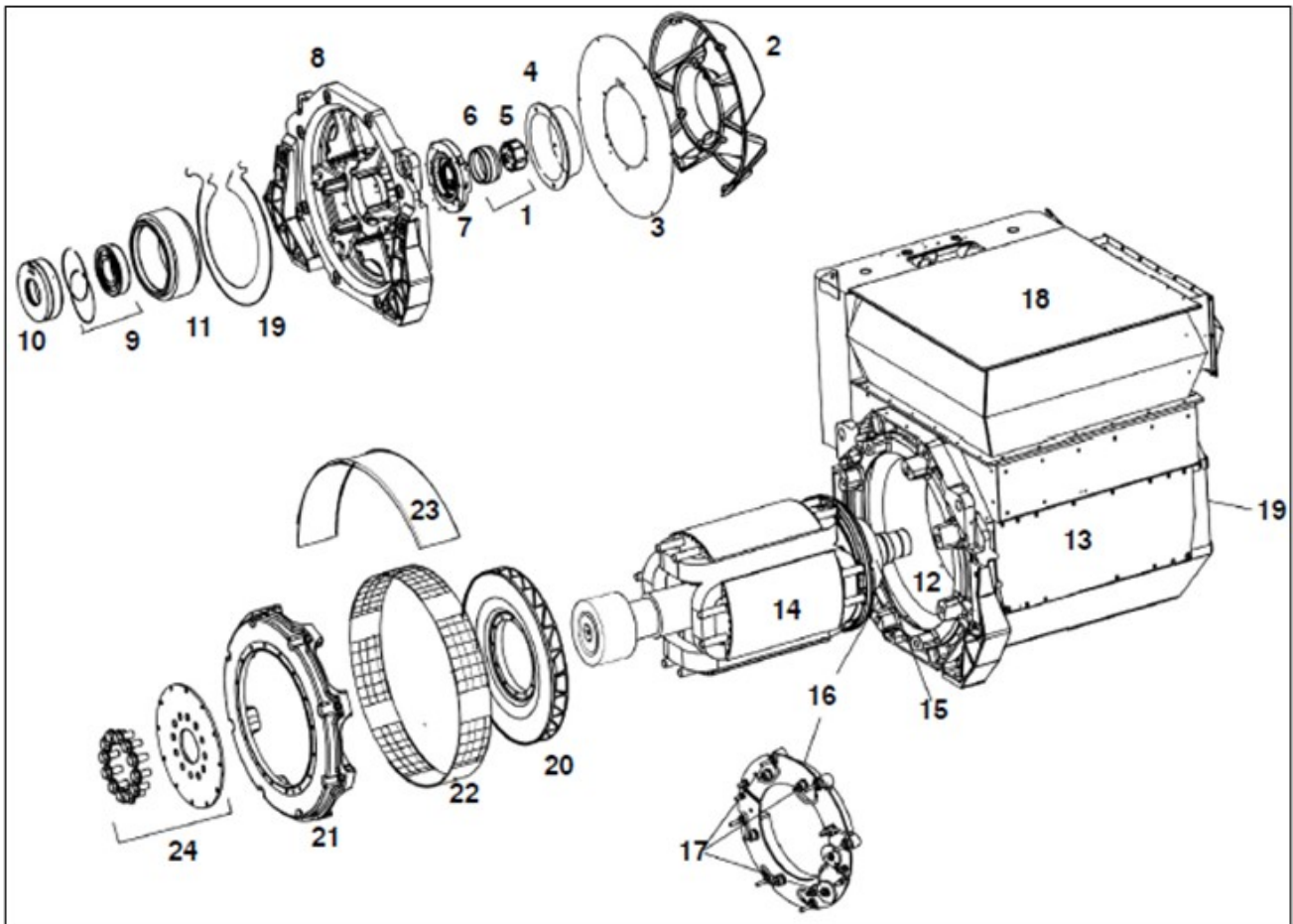


FIGURE 37. P80 - 1 BEARING PARTS DRAWING

TABLE 39. P80 - 1 BEARING PARTS LIST

Item	Part No.	Description	Qty
1	45-1082	Complete PMG Kit	1
2	800-30843	NDE Air inlet cover	1
3	800-30060	NDE Air inlet screen	1
4	450-14360	PMG Cover (metal)	1
5	SEE ITEM. 1	Current PMG rotor/stator repair kit	1
6	SEE ITEM. 1	Current PMG rotor/stator repair kit	1
7	800-30017	NDE Cap	1
8	800-30020	NDE Endbracket	1
9	45-0407	NDE Bearing Kit	1
	45-1118	NDE Only for all core lengths	1
10	800-30015	NDE Bearing cartridge	1
11	800-1055	Exciter stator R - T	1
	800-1056	Exciter stator W - Y	1

Item	Part No.	Description	Qty
12	QMSN	Main stator frame assy	1
13	QMSN	Main stator panel work	1
14	QMSN	Main rotor assy	1
15	800-1048	Exciter rotor R - T	1
	800-1049	Exciter rotor W - Y	1
16	810-1015	Rectifier assy	1
17	RSK-6001	Diode Fwd/Rev & Varistor Kit	1
18	QMSN	Complete terminal box assy	1
19	45-1029	Heater Kit	1
20	800-30049	Fan (clockwise)	1
	800-30014	Fan (anti-clockwise)	1
21	45-1139	Adaptor SAE 0	1
	45-1140	Adaptor SAE 00	1
	45-1141	Adaptor special R - T mhi	1
22	SEE ITEM 30	NDE Adaptor screen (included in adaptor kit)	2
23	800-30186	Drip proof cover	1
24	45-1144	Coupling Kit SAE 18	1
	45-1145	Coupling Kit SAE 21	1
	45-1146	Coupling Kit SAE 24	1
25	E000-13300	MA330 AVR (not shown)	1
	E000-23800	DM110 AVR (not shown)	1
	A044W728	UNITROL 1010 Basic (not shown)	1
	A044W725	UNITROL 1010 Light (not shown)	1
	A060B914	AVR DECS-150 (not shown)	1

39 P80 - 2 Bearing

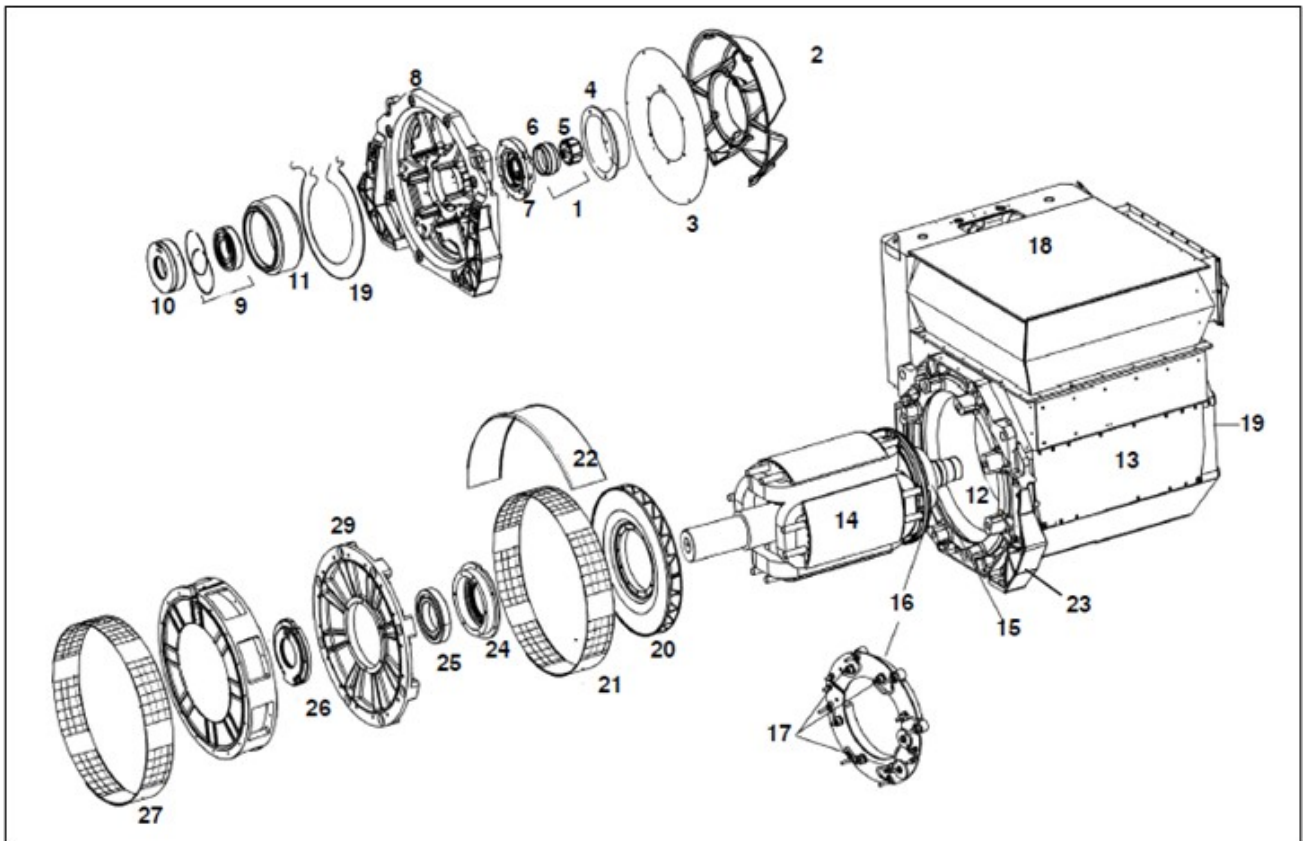


FIGURE 38. P80 - 2 BEARING PARTS DRAWING

TABLE 40. P80 - 2 BEARING PARTS LIST

Item	Part No.	Description	Qty
1	45-1082	Complete PMG Kit	1
2	800-30843	NDE Air inlet cover	1
3	800-30060	NDE Air inlet screen	1
4	450-14360	PMG Cover (metal)	1
5	See No. 1	Current PMG rotor/stator repair kit	1
6	See No. 1	Current PMG rotor/stator repair kit	1
7	800-30017	NDE Cap	1
8	800-30020	NDE Endbracket	1
9	45-0407	NDE Bearing Kit	1
	45-1118	NDE Only for all core lengths	1
10	800-30015	NDE Bearing cartridge	1
11	800-1055	Exciter stator R - T	1
	800-1056	Exciter stator W - Y	1
12	QMSN	Main stator frame assy	1

Item	Part No.	Description	Qty
13	QMSN	Main stator panel work	1
14	QMSN	Main rotor assy	1
15	800-1048	Exciter rotor R - T	1
	800-1049	Exciter rotor W - Y	1
16	810-1015	Rectifier assy	1
17	RSK-6001	Diode Fwd/Rev & Varistor Kit	1
18	QMSN	Complete terminal box assy	1
19	45-1029	Heater Kit	1
20	800-30049	Fan (clockwise)	1
	800-30014	Fan (anti-clockwise)	1
21	800-30187	DE Bracket screen	2
22	800-30186	Drip proof cover	1
23	800-30022	DE Bracket R - T	1
	800-30165	DE Bracket W - Y	1
24	800-10475	DE Bearing cartridge R - T	1
	820-10137	DE Bearing cartridge W - Y	1
25	45-0408	DE Bearing Kit R -T	1
	45-0409	DE Bearing Kit W - Y	1
	45-1119	DE Bearing Kit c/w caps & cartridges R,S, & T	1
	45-1120	DE Bearing Kit c/w caps & cartridges W,X & Y	1
	45-1151	Both NDE & DE for R,S & T Cores	1
	45-1152	Both NDE & DE for W,X & Y Cores	1
26	800-10477	DE Bearing cap R - T	1
	820-10138	DE Bearing cap W- Y	1
27	45-1142	Adaptor Kit SAE 0 R - T	1
	45-1135	Adaptor Kit SAE 00 R -T (32 hole)	1
	45-1136	Adaptor Kit SAE 0 W - Y	1
	45-1137	Adaptor Kit SAE 00 W - Y	1
	45-1138	Adaptor Kit SAE 00 W - Y (32 hole)	1
28	SEE ITEM 27	Adaptor screen (included in adaptor kit)	1
29	800-30046	F8 DE Bearing Carrier R - T	1
	800-30163	F8 DE Bearing Carrier W - Y	1
30	E000-13300	MA330 AVR (not shown)	1
	E000-23800	DM110 AVR (not shown)	1
	A044W728	UNITROL 1010 Basic (not shown)	1
	A044W725	UNITROL 1010 Light (not shown)	1

Item	Part No.	Description	Qty
	A060B914	AVR DECS-150 (not shown)	1

-

This page is intentionally blank.

40 S9 HV - 1 Bearing

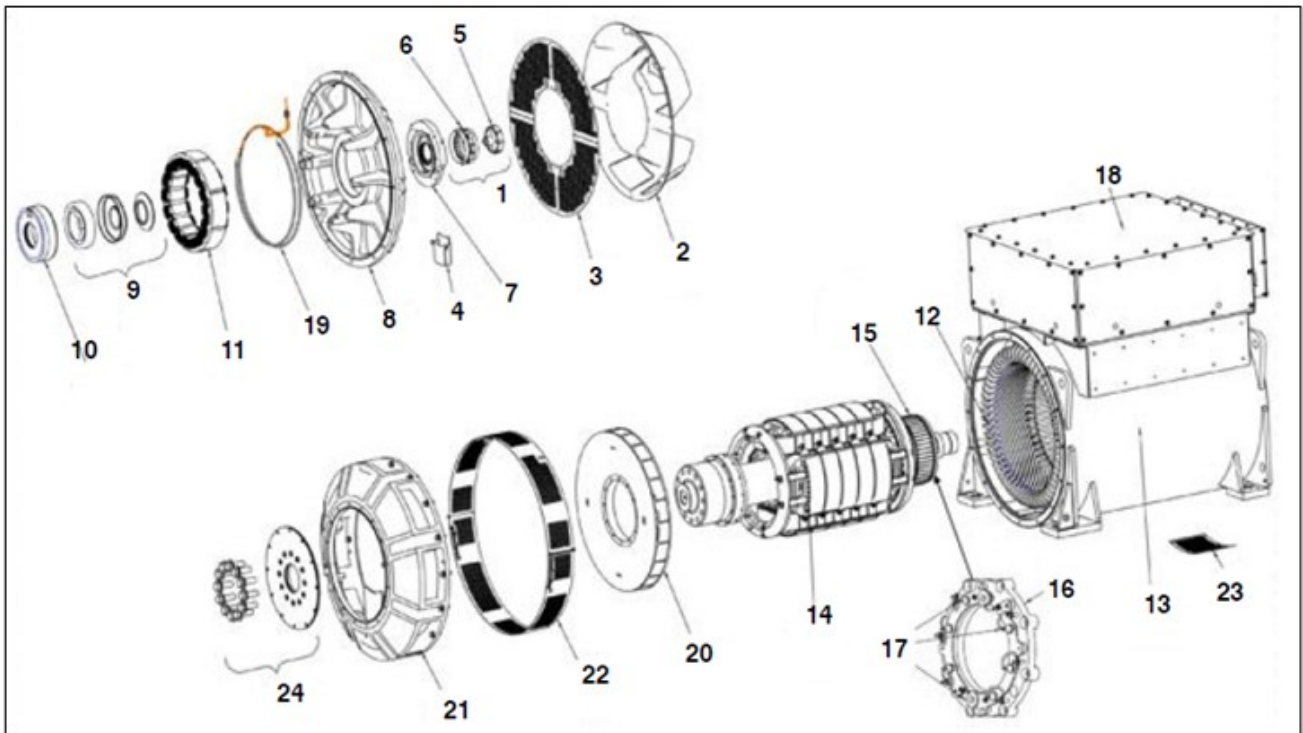


FIGURE 39. S9 HV - 1 BEARING PARTS DRAWING

TABLE 41. S9 HV - 1 BEARING PARTS LIST

Item	Part No.	Description	Qty
1	45-1082	Complete P.M.G. Kit	1
2	A059V003	N.D.E Air inlet cover	1
3	A059U995	N.D.E Axial air inlet screen	2
4	A061Y809	Grease collector	1
5	SEE ITEM. 1	Current P.M.G. rotor/stator repair kit	1
6	SEE ITEM. 1	Current P.M.G. rotor/stator repair kit	1
7	800-30017	N.D.E. Bearing Cap	1
8	A059U866	N.D.E. Endbracket	1
9	45-0407	N.D.E Bearing Kit	1
	45-1118	NDE Bearing kit w/ cap and cartridge	1
10	800-30015	N.D.E. Bearing cartridge	1
11	A062A093	Exciter stator A - D	1
12	QMSN	Main stator	1
13	QMSN	Main stator enclosure	1
14	QMSN	Main rotor assy	1
15	A061X633	Exciter rotor A - D	1

Item	Part No.	Description	Qty
16	A059Y591	Rectifier assy	1
17	A063M677	Diode Fwd/Rev & Varistor Kit	1
18	QMSN	Complete terminal box assy	1
19	A059S757	Heater Kit	1
20	800-30049	Fan (clockwise) A - B cores	1
	A050A299	Fan (clockwise) C - D cores	1
21	A064V438	Adaptor SAE 0 A - B cores	1
	A064V573	Adaptor SAE 0 C - D cores	1
	A064V439	Adaptor SAE 00 A - B cores	1
	A064V440	Adaptor SAE 00 C - D cores	1
22	A061M219	D.E. Adaptor screen top	1
	A059V001	D.E. Adaptor screen bottom (CoreCooling)	1
23	A059U997	Radial air inlet screen	1
24	A062D947	Coupling Kit SAE 18	1
	A062D949	Coupling Kit SAE 21	1
25	E000-23800	DM110 AVR (not shown)	1
	A054S072	DECS100-B11 AVR (not shown)	1
	A060B914	DECS150 AVR (not shown)	1
	A061D996	DM810 AVR (not shown)	1
	A062K080	DVC310 AVR (not shown)	1
	CONTACT CGT	UNITROL 1010 AVR	1

41 S9 HV - 2 Bearing

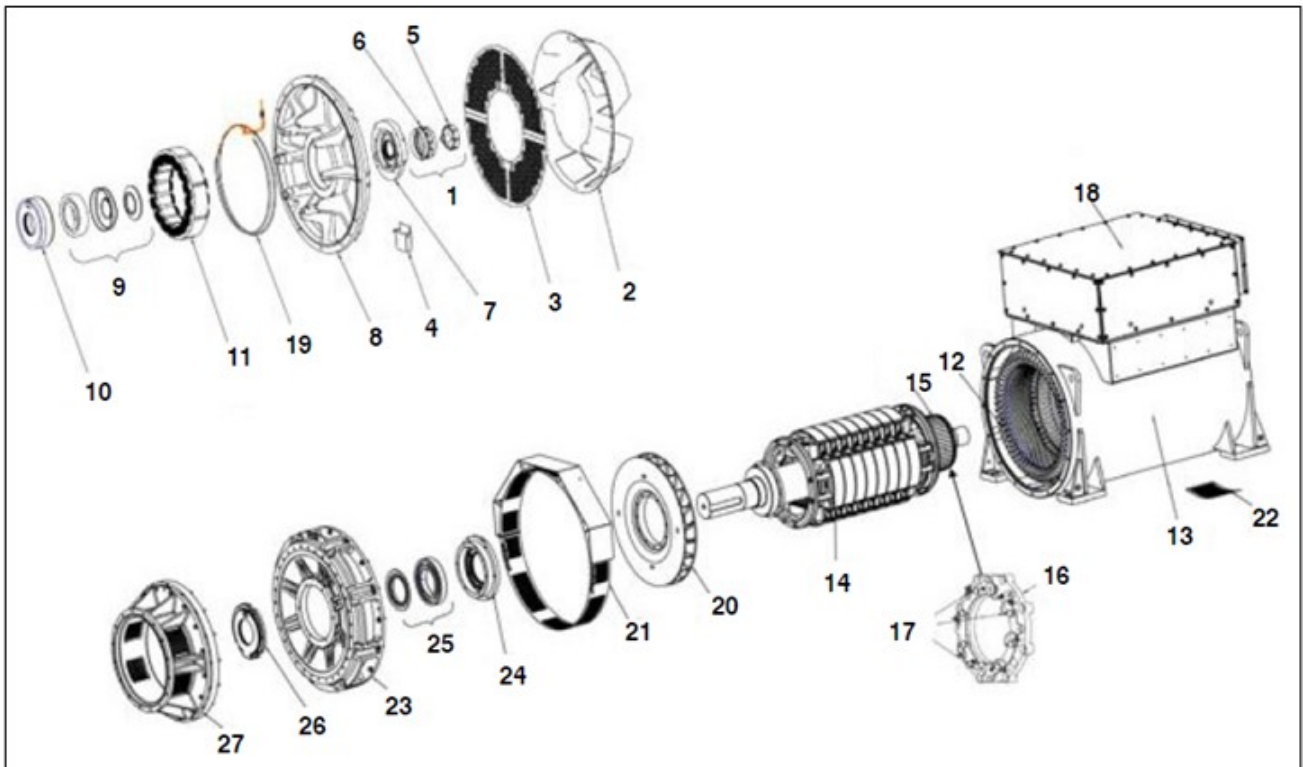


FIGURE 40. S9 HV - 2 BEARING PARTS DRAWING

TABLE 42. S9 HV - 2 BEARING PARTS LIST

Item	Part No.	Description	Qty
1	45-1082	Complete P.M.G. Kit	1
2	A059V003	N.D.E Air inlet cover	1
3	A059U995	N.D.E Axial air inlet screen	2
4	A061Y809	Grease collector	1
5	See No. 1	Current P.M.G. rotor/stator repair kit	1
6	See No. 1	Current P.M.G. rotor/stator repair kit	1
7	800-30017	N.D.E. Bearing Cap A - F cores	1
	A062F040	N.D.E. Bearing Cap G - H cores	1
8	A059U866	N.D.E. Endbracket A - F cores	1
	A061U110	N.D.E. Endbracket G - H cores	1
9	45-0407	N.D.E Bearing Kit A - F cores	1
	45-1118	N.D.E Bearing Kit A - F cores w/ cap and cartridge	1
	A063M661	N.D.E Bearing Kit G - H cores	1
	A063M672	N.D.E Bearing Kit G - H cores w/ cap and cartridge	1
10	800-30015	N.D.E. Bearing cartridge A - F cores	1
	A062E911	N.D.E. Bearing cartridge G - H cores	1

Item	Part No.	Description	Qty
11	A062A093	Exciter stator A – F cores	1
	A062A095	Exciter stator G – H cores	1
	A064X961	Exciter Stator 130MM Core (E to H) Severe Environmental	1
12	QMSN	Main stator	1
13	QMSN	Main stator enclosure	1
14	QMSN	Main rotor assy	1
15	A061X633	Exciter rotor A – D cores	1
	A059U784	Exciter rotor E – H cores	1
	A064Y290	Exciter Rotor 130MM Core (E to H) Severe Environmental	1
16	A059Y591	Rectifier assy	1
17	A063M677	Diode Fwd/Rev & Varistor Kit	1
18	QMSN	Complete terminal box assy	1
19	A059S757	Heater Kit	1
20	800-30049	Fan (clockwise) A – B cores	1
	A050A299	Fan (clockwise) C – F cores	1
	A062F872	Fan (clockwise) G – H cores	1
21	A059U999	D.E. Bracket screen top	1
	A059V001	D.E. Bracket screen bottom (CoreCooling)	1
22	A059U997	Radial air inlet screen	1
23	A061V805	D.E. Bracket A – B cores	1
	A059U883	D.E. Bracket C – D cores	1
	A060S675	D.E. Bracket E – F cores	1
	A062F695	D.E. Bracket G – H cores	1
24	800-10475	D.E. Bearing cartridge A – D cores	1
	820-10137	D.E. Bearing cartridge E – F cores	1
	A062B588	D.E. Bearing cartridge G – H cores	1
25	45-0408	D.E. Bearing Kit A – D	1
	45-1119	D.E. Bearing Kit A – D w/ caps and cartridges	
	45-0409	D.E. Bearing Kit E – F	1
	45-1120	D.E. Bearing Kit E – F w/ caps and cartridges	
	A063M660	D.E. Bearing Kit G – H	1
	A063M671	D.E. Bearing Kit G – H w/ caps and cartridges	1
	45-1151	Both NDE and DE kit for C–D cores	1
	45-1152	Both NDE and DE kit for E–F cores	1
	A063M674	Both NDE and DE kit for G–H cores	1

Item	Part No.	Description	Qty
26	800-10477	D.E. Bearing cap A - D	1
	820-10138	D.E. Bearing cap E - F	1
	A062E194	D.E. Bearing outer cap G - H	1
	A062E231	D.E. Bearing inner cap G - H	1
27	A062D573	Adaptor Kit SAE 0 A - D	1
	A062D571	Adaptor Kit SAE 00 A - D	1
	A062N243	Adaptor Kit SAE 0 E - F	1
	A062D581	Adaptor Kit SAE 00 E - H	1
28	E000-23800	DM110 AVR (not shown)	1
	A054S072	DECS100-B11 AVR (not shown)	1
	A060B914	DECS150 AVR (not shown)	1
	A061D996	DM810 AVR (not shown)	1
	A062K080	DVC310 AVR (not shown)	1
	CONTACT CGT	UNITROL 1010 AVR	1

-

This page is intentionally blank.

42 Accessories

TABLE 43. ACCESSORIES

Range	Description	Part Number	Amps	Additional Information
DROOP KITS				
P0	TRANSFORMER,GENERATOR CURRENT	191-1077		
P1	TRANSFORMER,GENERATOR CURRENT	191-1077		
UC22	KIT,REG CONTROL TRANSFORMER	45-0997	Up to 60	
UC22	KIT,REG CONTROL TRANSFORMER	45-0091	60 – 200	
UC22	KIT,REG CONTROL TRANSFORMER	45-0092	201 – 400	
UC22	KIT,UL REG CONTROL TRANSFORMER	A055M646	55 – 110	
UC22/27	KIT,UL REG CONTROL TRANSFORMER	A055M944	110 – 200	
UC27	KIT,REG CONTROL TRANSFORMER	45-0092	201 – 600	
UC27	KIT,REG CONTROL TRANSFORMER	45-0091	111 – 201	
UC27	KIT,UL REG CONTROL TRANSFORMER	A055M939	201 – 400	
HC4 / S4	KIT,REG CONTROL TRANSFORMER	45-0091	111 – 201	
HC4 / S4	KIT,REG CONTROL TRANSFORMER	45-0583	201 – 600	
HC4 / S4	KIT,UL REG CONTROL TRANSFORMER	A055L757	201 – 1250	
HC4 / S4	KIT,DROOP CT FOR DIGITAL AVR	A048W476	130 – 1600	
HC4 / S4	KIT,DROOP CT FOR DIGITAL AVR	A062Y082	1601 – 4000	
HC5 / S5	KIT,REG CONTROL TRANSFORMER	45-0588	Up to 600	
HC5 / S5D / S5/ HC6 / S6D / S6	KIT,REG CONTROL TRANSFORMER	45-0691	600 – 1200	
HC5 / S5D / S5	KIT,UL REG CONTROL TRANSFORMER	A055L766	300 – 1200	Differential Protection

Range	Description	Part Number	Amps	Additional Information
HC5 / S5D / S5	KIT,DROOP CT FOR DIGITAL AVR	A048W468	0 – 1040	Differential Protection
HC5 / S5	KIT,UL REG CONTROL TRANSFORMER	A055Z381	300 – 1200	
HC5 / S5D / S5	KIT,DROOP CT FOR DIGITAL AVR	A061T978	1041–2400	
HC5 / S5	KIT,DROOP CT FOR DIGITAL AVR	A062H942	1041–1400	
HC5 / S5D / S5/ HC6 / S6D / S6	KIT,DROOP CT FOR DIGITAL AVR	A048W470	0-1040	Dual Function CT
HC6	KIT,UL REG CONTROL TRANSFORMER	A055Y527	1000 – 4000	
HC6	KIT,UL REG CONTROL TRANSFORMER	A055Y459	0 – 999	
HC6	KIT,DROOP CT FOR DIGITAL AVR	A048T546	440 – 4000	Differential Protection
HC6 / S6	KIT,DROOP CT FOR DIGITAL AVR	A048T544	440 – 4000	
HC6 / S6	KIT,DROOP CT FOR DIGITAL AVR	A055C983	0 – 1400	
P7 / S7(4 Pole)	KIT,REG CONTROL TRANSFORMER	45-1056	Up to 2399	
P7 / S7(4 Pole)	KIT,REG CONTROL TRANSFORMER	45-1024	2400 – 4000	
P7 / S7(6 Pole)	KIT,REG CONTROL TRANSFORMER	45-1024	900 – 1499	
P7 / S7(6 Pole)	KIT,REG CONTROL TRANSFORMER	45-1024	1800 – 3000	
P7 / S7(4 Pole)	KIT,UL REG CONTROL TRANSFORMER	A056E370	1 – 1199	
P7 / S7(4 Pole)	KIT,UL REG CONTROL TRANSFORMER	A055M537	1200 – 1999	
P7 / S7(4 Pole)	KIT,UL REG CONTROL TRANSFORMER	A056G433	2000 – 2399	
P7 / S7(4 Pole)	KIT,UL REG CONTROL TRANSFORMER	A056E420	2400 – 4000	
P7 / S7(4 Pole)	KIT,DROOP CT FOR DIGITAL AVR	A048W361	1206 – 4000	
P7 / S7(4 Pole)	KIT,DROOP CT FOR DIGITAL AVR	A048W381	1206 – 4000	Differential Protection
P7 / S7(4 Pole)	KIT,DROOP CT FOR DIGITAL AVR	A052T928	1 – 1205	

Range	Description	Part Number	Amps	Additional Information
P7 / S7(4 Pole)	KIT,DROOP CT FOR DIGITAL AVR	A052T963	1 - 1205	Differential Protection
P7 / S7(6 Pole)	KIT,DROOP CT FOR DIGITAL AVR	A060N717	1 - 1200	
P7 / S7(6 Pole)	KIT,DROOP CT FOR DIGITAL AVR	A060P546	1201 - 4000	
P80		Q.S.N.M.		
S9	KIT,DROOP CT FOR DIGITAL AVR	A062H455	110 - 150	
S9	KIT,DROOP CT FOR DIGITAL AVR	A062H505	150 - 197	
S9	KIT,DROOP CT FOR DIGITAL AVR	A062H509	197 - 270	
S9	KIT, UL DROOP CT FOR DIGITAL AVR	A062W045	75 - 110	
S9	KIT, UL DROOP CT FOR DIGITAL AVR	A062W064	270 - 370	
S9	KIT, UL DROOP CT FOR DIGITAL AVR	A062W065	370 - 490	
S9	KIT, UL DROOP CT FOR DIGITAL AVR	A062W071	490 - 655	
S9	KIT, UL DROOP CT FOR DIGITAL AVR	A062W072	655 - 880	
AIRFILTER KITS				
UC22	AIRFILTER KIT	45-0875		
UC27	AIRFILTER KIT	45-0878	To end of October 2005	
ALL BC	AIRFILTER KIT	45-0769	From November 2005	
HC4/S4	AIRFILTER KIT	45-0883		
HC5	AIRFILTER KIT	45-0315		
P7	AIRFILTER KIT	45-1023	Standard Terminal Box Industrial	
P7	AIRFILTER KIT	45-1039	Standard Terminal Box Marine	
P7	AIRFILTER KIT	45-1062	High Terminal Box Industrial	
P7	AIRFILTER KIT	45-1063	High Terminal Box Marine	

Range	Description	Part Number	Amps	Additional Information
P7	AIRFILTER KIT	G CORE	Not currently covered by a kit	
TERMINAL BOX ASSY				
ALL BC	TERMINAL BOX STD ASSY	45-0861		
ALL BC	TERMINAL BOX STD ASSY	45-1027		
BC184 H-J CORE	3PH TERMINAL BOX KIT	45-1040		
UC27	TERMINAL BOX KIT	45-0890		
POWER FACTOR CONTROLLER				
ALL RANGES	PCB VERSION	E000-22090		
ALL RANGES	COMPLETE ASSEMBLY IN STEEL	E000-12090		
ELECTRONIC MODULES				
ALL RANGES	FREQUENCY DETECTION MODULE 12V	E000-21041		
ALL RANGES	FREQUENCY DETECTION MODULE 24V	E000-21042		
ALL RANGES	EXCITATION LOSS:24V	E000-22062		
ALL RANGES	EXCITATION LOSS:12V	E000-22063		
ALL RANGES	MANUAL VOLTAGE REGULATOR	450-11400	UPFIT KIT 45-0506	
ALL RANGES	DIODE FAILURE DETECTOR	E000-12025		
ALL RANGES	RFI SUPPRESSION ASSY	E000-22080		
ALL RANGES	3-PH RECTIFIER ASSY	E000-22016		
HAND TRIMMERS				
	FOR MX321/SX421	071-01037		
	FOR MX341,SX440/465/460 AS440	071-01649		
ISOLATION TRANSFORMERS				
UC22	1:1 TRANSFORMER ASSEMBLY	E000-22070/P		
UC27	1:1 TRANSFORMER ASSEMBLY	E000-22070/P		

Range	Description	Part Number	Amps	Additional Information
HC4/S4	1:1 TRANSFORMER ASSEMBLY	E000-22070/P		
HC5	1:1 TRANSFORMER ASSEMBLY	E000-22070/P		
HC6 & HC7	2:1 ISOLATION TRANSFORMER & BRKT ASSY 480:240	450-42100		
HC6 & HC7	2.5:1 ISOLATION TRANSFORMER & BRKT ASSY 600:240	450-42200		
HC6 & HC7	3:1 ISOLATION TRANSFORMER & BRKT ASSY 720:240	450-42300		
S7 HV	VOLTAGE TRANSFORMER	A062K556	1 & 2 BEARING	
BEARING RTD'S				
P7	NDE RTD KIT	45-1097		
P7	DE RTD KIT	45-1096		
P7	NDE & DE RTD KIT	45-1095		
P80	BEARING RTD	070-58085		
S9	BRG RTD KIT 2 BRG 1 RTD PER BRG	A061G928		
S9	BRG RTD KIT 1 BRG 1 RTD PER BRG	A061G930		
S9	BRG RTD KIT 1 BRG 2 RTD PER BRG	A061G933		
S9	BRG RTD KIT 2 BRG 2 RTD PER BRG	A062D893		

-

This page is intentionally blank.

STAMFORD | AvK™
POWERING TOMORROW, TOGETHER